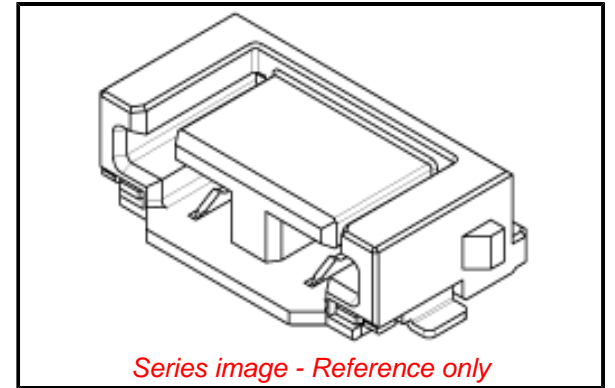


**PLEASE CHECK WWW.MOLEX.COM FOR LATEST PART INFORMATION**

**Part Number:** [5034710200](#)  
**Status:** **Active**  
**Overview:** [Flexi-Mate Connector System](#)  
**Description:** Flexi-Mate 3.70mm Pitch Board-to-Board/Wire-to-Board Receptacle, Surface Mount, Right-Angle, 3.00mm Stacking Height, 2 Circuits

**Documents:**

<a href="#">3D Model</a>	<a href="#">Application Specification AS-503471-001-061 (PDF)</a>
<a href="#">Drawing (PDF)</a>	<a href="#">Packaging Specification SPK-503471-001-001 (PDF)</a>
<a href="#">Product Specification 5034710000-000 (PDF)</a>	<a href="#">RoHS Certificate of Compliance (PDF)</a>
<a href="#">Product Specification PS-503471-001-001 (PDF)</a>	



**Agency Certification**

UL E29179

**General**

Product Family	PCB Receptacles
Series	<a href="#">503471</a>
Application	Board-to-Board, Power, Wire-to-Board
Overview	<a href="#">Flexi-Mate Connector System</a>
Product Name	Flexi-Mate
UPC	883906918637

**Physical**

Circuits (Loaded)	2
Circuits (maximum)	2
Color - Resin	White
Durability (mating cycles max)	15
Flammability	94V-0
Glow-Wire Capable	No
Lock to Mating Part	Yes
Mated Height	3.00mm
Material - Metal	Phosphor Bronze
Material - Plating Mating	Tin
Material - Plating Termination	Tin
Net Weight	174.060/mg
Number of Rows	1
Orientation	Right Angle
PCB Locator	No
PCB Retention	Yes
Packaging Type	Embossed Tape on Reel
Pitch - Mating Interface	3.70mm
Polarized to Mating Part	Yes
Polarized to PCB	Yes
Temperature Range - Operating	-40° to +85°C
Termination Interface: Style	Surface Mount

**Electrical**

Current - Maximum per Contact	2.0A
Voltage - Maximum	500V

**Material Info**

**Reference - Drawing Numbers**

Application Specification	AS-503471-001-061
Packaging Specification	SPK-503471-001-001
Product Specification	5034710000-000, PS-503471-001-001
Sales Drawing	SD-503471-001, SD-503471-002

**EU ELV**

**Not Relevant**

**EU RoHS**

**Compliant**

**REACH SVHC**

Not Contained Per - ED/61/2018 (27 June 2018)

**Halogen-Free**

**Status**

**Not Low-Halogen**

For more information, please visit [Contact US](#)

China ROHS

ELV

RoHS Phthalates

**China RoHS**

Green Image

Not Relevant

Not Contained

**Search Parts in this Series**

[503471](#) Series

**Mates With**

[503469](#) PCB Header for B-to-B . [503473](#) Housing and [503485](#) Crimp Terminal for W-to-B

This document was generated on 10/10/2018

**PLEASE CHECK [WWW.MOLEX.COM](http://WWW.MOLEX.COM) FOR LATEST PART INFORMATION**