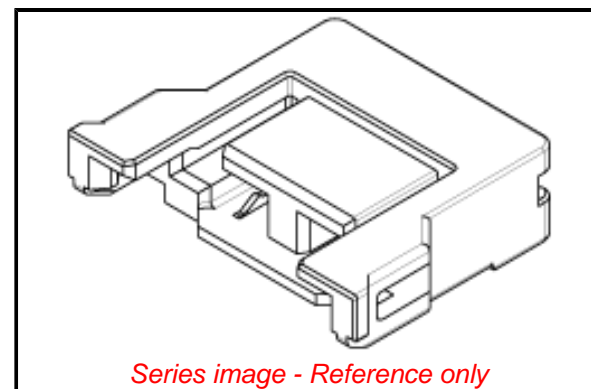


PLEASE CHECK WWW.MOLEX.COM FOR LATEST PART INFORMATION

Part Number: [5034740200](#)
Status: **Active**
Overview: Flexi-Mate Connector System
Description: Flexi-Mate 3.70mm Pitch Receptacle Circuit Terminator Connector, Right-Angle, 3.00mm Stacking Height, 2 Circuits

Documents:

| | |
|---|---|
| 3D Model | Application Specification AS-503471-001-061 (PDF) |
| Drawing (PDF) | Packaging Specification SPK-503474-001-001 (PDF) |
| Product Specification 5034710000-000 (PDF) | RoHS Certificate of Compliance (PDF) |
| Product Specification PS-503471-001-001 (PDF) | |



Agency Certification

UL E29179

General

| | |
|----------------|---|
| Product Family | Accessories |
| Series | 503474 |
| Component Type | Circuit Terminator |
| Overview | Flexi-Mate Connector System |
| Product Name | Flexi-Mate |
| UPC | 883906918651 |

Physical

| | |
|--------------------------------|-----------------|
| Circuits (Loaded) | 2 |
| Circuits (maximum) | 2 |
| Color - Resin | White |
| Flammability | 94HB |
| Gender | Receptacle |
| Lock to Mating Part | Yes |
| Material - Metal | Phosphor Bronze |
| Material - Plating Mating | Tin |
| Material - Plating Termination | Tin |
| Net Weight | 233.680/mg |
| Packaging Type | Bag |
| Polarized to Mating Part | Yes |
| Temperature Range - Operating | -40° to +85°C |
| Termination Interface: Style | N/A |

Electrical

Current - Maximum per Contact 2.0A

Material Info

Reference - Drawing Numbers

| | |
|---------------------------|-----------------------------------|
| Application Specification | AS-503471-001-061 |
| Packaging Specification | SPK-503474-001-001 |
| Product Specification | 5034710000-000, PS-503471-001-001 |
| Sales Drawing | SD-503474-001 |

EU ELV

Not Relevant

EU RoHS

Compliant

REACH SVHC

Not Contained Per - ED/61/2018 (27 June 2018)

Halogen-Free

Status

Not Low-Halogen

For more information, please visit [Contact US](#)

China ROHS

ELV

RoHS Phthalates

China RoHS

Green Image

Not Relevant

Not Contained

Search Parts in this Series

[503474 Series](#)

Use With

[503469 PCB Header](#)