

**PLEASE CHECK WWW.MOLEX.COM FOR LATEST PART INFORMATION**

**Part Number:** **0505988100**  
**Status:** **Active**  
**Description:** 3.96mm Pitch Wire-to-Wire and 6.50mm Pitch Wire-to-Board Crimp Terminal, Female, 20-26 AWG, Bag

**Documents:**

[Drawing \(PDF\)](#) [Product Specification PS-51142-003 \(PDF\)](#)  
[Product Specification PS-51138-002 \(PDF\)](#) [RoHS Certificate of Compliance \(PDF\)](#)  
[Product Specification PS-51142-002-001 \(PDF\)](#)

**General**

Product Family Crimp Terminals  
Series [50598](#)  
Application Power, Wire-to-Wire  
Crimp Quality Equipment Yes  
Packaging Alternative [50598-8000](#) (Reel)  
Product Name N/A  
UPC 800753366596

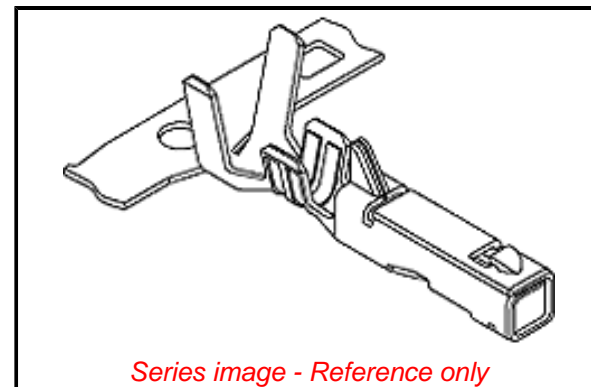
**Physical**

Gender Female  
Material - Metal Copper  
Material - Plating Mating Tin  
Material - Plating Termination Tin  
Net Weight 246.300/mg  
Packaging Type Bag  
Termination Interface: Style Crimp or Compression  
Wire Insulation Diameter 1.20-2.35mm  
Wire Size AWG 20, 22, 24, 26  
Wire Size mm<sup>2</sup> N/A

**Material Info**

**Reference - Drawing Numbers**

Product Specification PS-51138-002, PS-51142-002-001, PS-51142-003  
Sales Drawing SD-50598-8\*00



*Series image - Reference only*

**EU ELV**

**Not Relevant**

**EU RoHS**

**Compliant**

**REACH SVHC**

Not Contained Per -  
ED/61/2018 (27 June  
2018)

**Halogen-Free**

**Status**

**Low-Halogen**

For more information, please visit [Contact US](#)

China ROHS

ELV

RoHS Phthalates

**China RoHS**

Green Image

Not Relevant

Not Contained

**Search Parts in this Series**

[50598](#) Series

**Mates With**

[50599](#) Male Crimp Terminal, [50600](#) Male Crimp Terminal 20-26 AWG

**Use With**

51138 , 51142