

**PLEASE CHECK WWW.MOLEX.COM FOR LATEST PART INFORMATION**

**Part Number:** **0510150500**  
**Status:** **Active**  
**Description:** 20 Board In Hsg 5Ckt

**Documents:**

[3D Model](#) [Product Specification PS-51015-002-001 \(PDF\)](#)  
[Drawing \(PDF\)](#) [RoHS Certificate of Compliance \(PDF\)](#)

**General**

Product Family Crimp Housings  
 Series [51015](#)  
 Application Signal  
 Product Name Board-in  
 UPC 800753749252

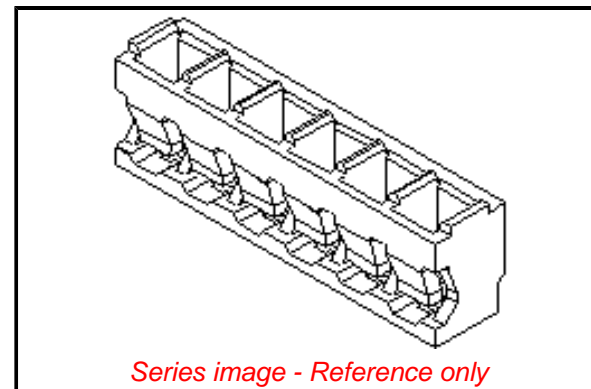
**Physical**

Circuits (maximum) 5  
 Color - Resin Natural  
 Gender Plug  
 Glow-Wire Capable No  
 Material - Resin Nylon  
 Net Weight 96.300/mg  
 Number of Rows 1  
 Packaging Type Bag  
 Panel Mount No  
 Pitch - Mating Interface 2.00mm  
 Stackable No  
 Temperature Range - Operating -40° to +105°C

**Material Info**

**Reference - Drawing Numbers**

Product Specification PS-51015-002-001  
 Sales Drawing SD-51015-\*\*00



**EU ELV**

**Compliant**

**EU RoHS**

**Compliant**

**REACH SVHC**

Not Contained Per -  
 ED/61/2018 (27 June  
 2018)

**Halogen-Free**

**Status**

**Not Low-Halogen**

**Need more information on product  
 environmental compliance?**

Email [productcompliance@molex.com](mailto:productcompliance@molex.com)  
 Please visit the [Contact Us](#) section for any  
 non-product compliance questions.

China ROHS

ELV

Prop65

RoHS Phthalates

**China RoHS**

Green Image

Compliant

Compliant

Not Contained

**Search Parts in this Series**

[51015 Series](#)

**Use With**

[50034](#)