

PLEASE CHECK WWW.MOLEX.COM FOR LATEST PART INFORMATION

Part Number: [0521160341](#)
Status: **Active**
Overview: Mizu-P25 Miniature Waterproof Connectors
Description: Mizu-P25 2.50mm Pitch Waterproof Wire-to-Wire Plug Housing, 3 Circuits, Black

Documents:

[3D Model](#) [Application Specification AS-52117-001-JP-001 \(PDF\)](#)
[Drawing \(PDF\)](#) [Packaging Specification 521160000-P00 \(PDF\)](#)
[Product Specification PS-52116-001-001 \(PDF\)](#) [RoHS Certificate of Compliance \(PDF\)](#)
[Application Specification AS-52117-001-001 \(PDF\)](#)

Agency Certification

UL E29179

General

Product Family Crimp Housings
 Series [52116](#)
 Application Signal, Wire-to-Wire
 Application Tooling Part Link 62202-4400
 Overview [Mizu-P25 Miniature Waterproof Connectors](#)
 Product Name Mizu-P25 Waterproof, Splash Proof
 UPC 800755533057

Physical

Circuits (maximum) 3
 Color - Resin Black
 Gender Plug
 Glow-Wire Capable No
 Lock to Mating Part Yes
 Material - Resin Polyester
 Net Weight 1565.500/mg
 Number of Rows 1
 Packaging Type Tray
 Panel Mount No
 Pitch - Mating Interface 2.50mm
 Stackable No
 Temperature Range - Operating -40° to +105°C

Electrical

Current - Maximum per Contact 3.0A

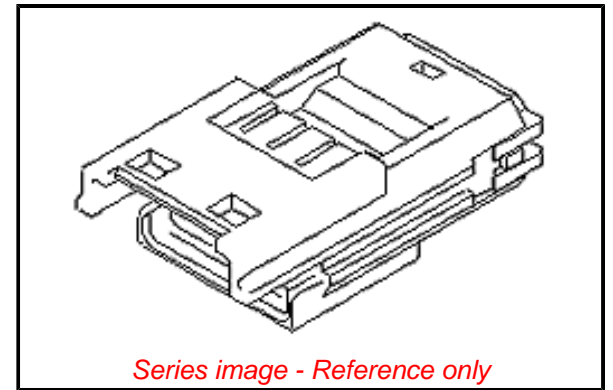
Solder Process Data

Lead-freeProcess Capability N/A

Material Info

Reference - Drawing Numbers

Application Specification AS-52117-001-001, AS-52117-001-JP-001
 Packaging Specification 521160000-P00
 Product Specification PS-52116-001-001
 Sales Drawing SD-52116-001-001



Series image - Reference only

EU ELV

Compliant

EU RoHS

Compliant

REACH SVHC

Not Contained Per -
 ED/61/2018 (27 June
 2018)

Halogen-Free

Status

Not Low-Halogen

For more information, please visit [Contact US](#)

China ROHS

ELV

RoHS Phthalates

China RoHS

Green Image

Compliant

Not Contained

Search Parts in this Series

[52116 Series](#)

Mates With

[52117 Mizu-P25 2.50mm Pitch Waterproof Wire-to-Wire Receptacle Housing](#)

Use With

[50038 Mizu-P25 Crimp Terminal](#)

Application Tooling | FAQ

Tooling specifications and manuals are found by selecting the products below. Crimp Height Specifications are then contained in the Application Tooling Specification document.

Global

Description

Product #

Sealing Cap Hand

[0622024400](#)

Tool