

**PLEASE CHECK WWW.MOLEX.COM FOR LATEST PART INFORMATION**

**Part Number:** [0559171830](#)  
**Status:** **Active**  
**Overview:** [MicroClasp Wire-to-Board System](#)  
**Description:** 2.00mm Pitch MicroClasp Wire-to-Board Header, Dual Row, Vertical, 18 Circuits, without PCB Locator

**Documents:**

<a href="#">3D Model</a>	<a href="#">Product Specification PS-51353-010-001 (PDF)</a>
<a href="#">Drawing (PDF)</a>	<a href="#">Packaging Specification 559179200-SPK-200 (PDF)</a>
<a href="#">Product Specification PS-51353-003-001 (PDF)</a>	<a href="#">RoHS Certificate of Compliance (PDF)</a>

**Agency Certification**

UL E29179

**General**

Product Family	PCB Headers
Series	<a href="#">55917</a>
Application	Signal, Wire-to-Board
Overview	<a href="#">MicroClasp Wire-to-Board System</a>
Product Name	MicroClasp
UPC	756054338957

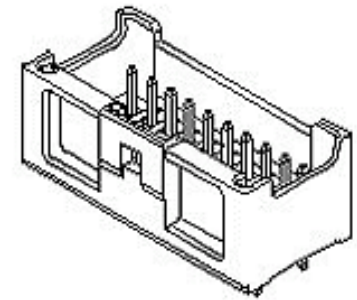
**Physical**

Breakaway	No
Circuits (Loaded)	18
Circuits (maximum)	18
Color - Resin	Natural
Durability (mating cycles max)	30
First Mate / Last Break	No
Flammability	94V-0
Glow-Wire Capable	No
Guide to Mating Part	No
Keying to Mating Part	None
Lock to Mating Part	Yes
Material - Plating Mating	Tin
Material - Plating Termination	Tin
Material - Resin	Polyester
Net Weight	1398.100/mg
Number of Rows	2
Orientation	Vertical
PC Tail Length	3.20mm
PCB Locator	No
PCB Retention	Yes
PCB Thickness - Recommended	1.60mm
Packaging Type	Tray
Pitch - Mating Interface	2.00mm
Shrouded	Fully
Stackable	No
Surface Mount Compatible (SMC)	No
Temperature Range - Operating	-25° to +85°C
Termination Interface: Style	Through Hole

**Electrical**

Current - Maximum per Contact	3.0A
Voltage - Maximum	250V

**Material Info**



*Series image - Reference only*

**EU ELV**

**Not Relevant**

**EU RoHS**

**Compliant**

**REACH SVHC**

Not Contained Per -  
ED/61/2018 (27 June  
2018)

**Halogen-Free**

**Status**

**Not Low-Halogen**

For more information, please visit [Contact US](#)

China ROHS

ELV

RoHS Phthalates

**China RoHS**

Green Image

Not Relevant

Not Contained

**Search Parts in this Series**

[55917 Series](#)

**Mates With**

[51353](#) MicroClasp Wire-to-Board Receptacle Housing

**Reference - Drawing Numbers**

Packaging Specification

Product Specification

Sales Drawing

559179200-SPK-200

PS-51353-003-001, PS-51353-010-001

SD-55917-005

This document was generated on 10/02/2018

**PLEASE CHECK [WWW.MOLEX.COM](http://WWW.MOLEX.COM) FOR LATEST PART INFORMATION**