

**PLEASE CHECK WWW.MOLEX.COM FOR LATEST PART INFORMATION**

**Part Number:** **0743232003**  
**Status:** **Active**  
**Overview:** MicroCross™ DVI Connectors and Cable Assemblies  
**Description:** MicroCross™ DVI Digital Dual Link Component, High Volume Plug Connector Sub-assembly, Vertical, Gold (Au) Flash, with key, 24 Circuits, Lead-Free

**Documents:**

[Drawing \(PDF\)](#) [RoHS Certificate of Compliance \(PDF\)](#)

**Agency Certification**

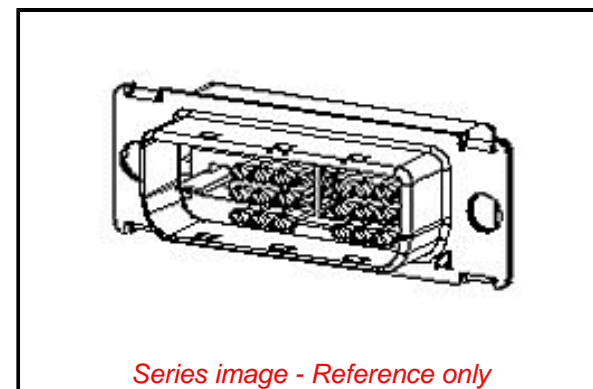
CSA LR19980  
 UL E29179

**General**

Product Family I/O Connectors  
 Series [74323](#)  
 Application Wire-to-Board  
 Comments DDWG (Digital Display Working Group) Standard  
 Component Type I/O Plug Connector Subassembly  
 Electrical Model Yes  
 Overview [MicroCross™ DVI Connectors and Cable Assemblies](#)  
 Product Name MicroCross™DVI  
 Type N/A  
 UPC 800754826013

**Physical**

Boot Color N/A  
 Circuits (Loaded) 24  
 Circuits (maximum) 24  
 Circuits Detail Circuits 1-24 are loaded; with key  
 Color - Resin Black  
 Durability (mating cycles max) 100  
 Flammability 94V-0  
 Keying to Mating Part Yes  
 Lock to Mating Part Yes  
 Material - Metal Copper Alloy  
 Material - Plating Mating Gold  
 Material - Plating Termination Tin  
 Material - Resin High Temperature Thermoplastic  
 Net Weight 7.420/g  
 Number of Rows 3  
 Orientation Vertical  
 PCB Retention None  
 Packaging Type Tray  
 Panel Mount N/A  
 Pitch - Mating Interface 1.90mm, 2.54mm  
 Pitch - Termination Interface 1.90mm, 2.54mm  
 Plating min - Mating 0.254µm  
 Plating min - Termination 3.810µm  
 Polarized to Mating Part Yes  
 Polarized to PCB Yes  
 Ports 1  
 Temperature Range - Operating -20°C to +85°C  
 Termination Interface: Style Solder or Weld  
 Waterproof / Dustproof No  
 Wire Size AWG N/A



*Series image - Reference only*

**EU ELV**

**Not Relevant**

**EU RoHS**

**Compliant**

**REACH SVHC**

Not Contained Per -  
 ED/30/2017 (7 July  
 2017)

**Halogen-Free**

**Status**

**Not Low-Halogen**

**Need more information on product environmental compliance?**

Email [productcompliance@molex.com](mailto:productcompliance@molex.com)  
 Please visit the [Contact Us](#) section for any non-product compliance questions.

China ROHS

ELV

RoHS Phthalates

Green Image

Not Relevant

Not Contained

**Search Parts in this Series**

[74323 Series](#)

**Mates With**

Other Receptacle components, [74320 DVI Receptacle](#), [67351 DVI Receptacle](#)

**Application Tooling | FAQ**

*Tooling specifications and manuals are found by selecting the products below. Crimp Height Specifications are then contained in the Application Tooling Specification document.*

**Global**

Description	Product #
Soldering Fixture	<a href="#">0621003700</a>

**Electrical**

Current - Maximum per Contact	3.0A
Grounding to Panel	Yes
Shield Type	Full Shield
Shielded	Yes
Voltage - Maximum	40V AC (RMS)

**Material Info****Reference - Drawing Numbers**

Electrical Model Document	EE-74320-002
S-Parameter Model	SP-74320-002
Sales Drawing	SD-74323-003

This document was generated on 08/02/2017

**PLEASE CHECK [WWW.MOLEX.COM](http://WWW.MOLEX.COM) FOR LATEST PART INFORMATION**