

PLEASE CHECK WWW.MOLEX.COM FOR LATEST PART INFORMATION

Part Number: [0755615000](#)
Status: **Active**
Overview: [EXTreme PowerMass High-Current Connectors](#)
Description: EXTreme PowerMass 0.13mm Pitch, 80A per module, Right-Angle Plug, Tail Length 3.07mm, without Pegs

Documents:

[3D Model](#) [Packaging Specification PK-46081-100-001 \(PDF\)](#)
[Drawing \(PDF\)](#) [RoHS Certificate of Compliance \(PDF\)](#)

Agency Certification

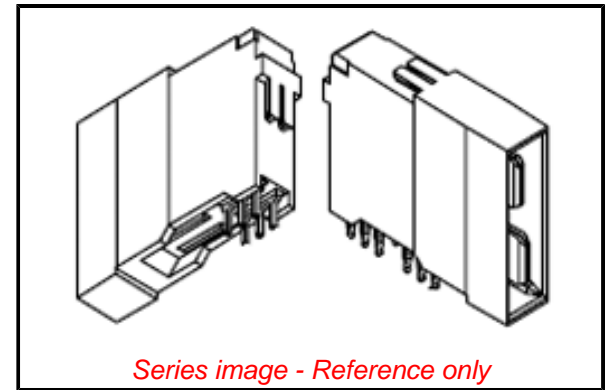
CSA LR19980
 UL E29179

General

Product Family PCB Headers
 Series [75561](#)
 Application Board-to-Board, Power
 Comments 80A per module, 40A per contact (2 contacts per module)
 Overview [EXTreme PowerMass High-Current Connectors](#)
 Product Name EXTreme PowerMass
 UPC 800756716268

Physical

(p)ower-(s)ignal Configuration 2p - 0s
 Breakaway No
 Circuits (Loaded) 4
 Circuits (maximum) 4
 Durability (mating cycles max) 50
 First Mate / Last Break No
 Flammability 94V-0
 Glow-Wire Capable No
 Guide to Mating Part No
 Keying to Mating Part None
 Lock to Mating Part No
 Material - Metal Copper-Nickel-Silicon
 Material - Plating Mating Gold
 Material - Plating Termination Tin
 Net Weight 11.218/g
 Number of Rows 2
 Orientation Right Angle
 PC Tail Length 3.07mm
 PCB Locator No
 PCB Retention None
 PCB Thickness - Recommended 2.40mm
 Packaging Type Tray
 Pitch - Mating Interface 3.00mm
 Plating min - Mating 0.762µm
 Plating min - Termination 2.540µm
 Polarized to Mating Part Yes
 Polarized to PCB Yes
 Shrouded Closed Ends
 Stackable No
 Surface Mount Compatible (SMC) Yes
 Temperature Range - Operating -40° to +105°C
 Termination Interface: Style Through Hole



Series image - Reference only

EU ELV

Not Relevant

EU RoHS

Compliant

REACH SVHC

Not Contained Per -
 ED/61/2018 (27 June
 2018)

Halogen-Free

Status

Low-Halogen

For more information, please visit [Contact US](#)

China ROHS

ELV

RoHS Phthalates

China RoHS

Green Image

Not Relevant

Not Relevant

Search Parts in this Series

[75561](#) Series

Mates With

[75545-5000](#) EXTreme PowerMass
 Receptacle, [75545-5001](#) EXTreme
 PowerMass Receptacle

Electrical

Current - Maximum per Contact

40.0A

Voltage - Maximum

450V

Material Info**Reference - Drawing Numbers**

Packaging Specification

PK-46081-100-001

Sales Drawing

SD-75561-100-001

This document was generated on 10/24/2018

PLEASE CHECK WWW.MOLEX.COM FOR LATEST PART INFORMATION