

240W Mixer Amplifier



Features

Rated Power: 240W

100V, 70V constant voltage outputs and 4~16Ω constant resistance output.

Commercial-grade toroidal transformers produce high performance audio on a wide range of frequencies with min noise and high fidelity, even at high volume.

Reliable protection against overload, short circuit, and power fluctuation for optimum reliability.

VOX feature mutes AUX inputs when input is detected on MIC 1. Time Adjust control allows resumption of music to be sharp or gradual.

Phantom power available on MIC 1 input for condenser-type microphones.

Built in treble and bass adjustment

bass: +/-10dB @ 100Hz

treble: +/- 10dB @ 10kHz

Built in priority functions. Priority level is as follows:

Aux is default signal

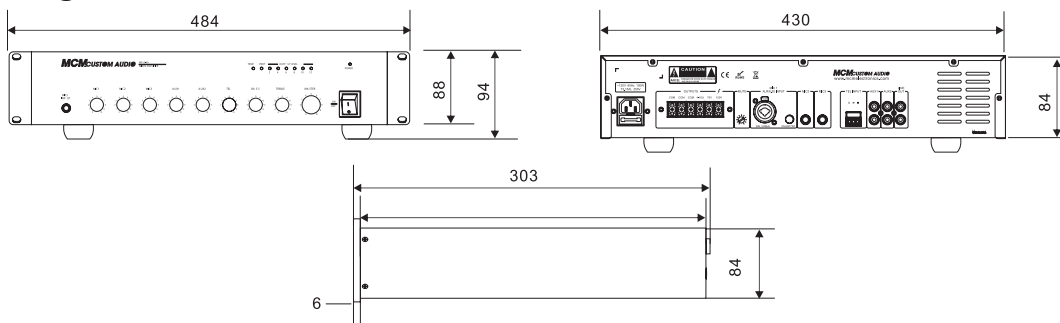
MIC1 input will override MIC2, MIC3 and Aux inputs Telephone input will override MIC1, MIC2, MIC3 and AUX inputs

Mixer Amplifier with CD	
Rated Power Output	240W
Speaker Line Input	4~16Ω,70V,100V
Input sensitivity/impedance	MIC1,2,3: 5mV/600Ω AUX:350mV/10kΩ
S/N	Better than 90dB
Frequency response (At 1kHz Half power output, +3dB)	50Hz ~ 18kHz
MIC 1~2 input section (CH1~2 in@1kHz, preamp out)	
Input sensitivity/impedance	5mV/600Ω
S/N	Better than 62dB
Tone control (Bass:100kHz,Treble:10kHz)	+12dB
Phantom power	+48V DC
AUX 1 input section (AUX in@1kHz, preamp out)	
Input sensitivity/impedance	350mV/10kΩ
S/N	Better than 76dB
Frequency Response (+3dB)	50Hz~18kHz
Tone control (Bass:100kHz,Treble:10kHz)	+12dB

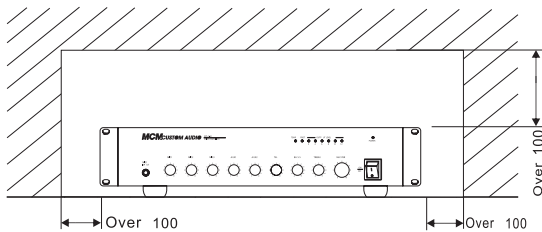
240W Mixer Amplifier

Pre Amp Out	5dBV/600Ω
Line level output	~10dB/3kΩ
Cooling mode	Air cooling
Power source	~120V 60Hz
Power consumption	400W
Net weight	11.5Kg
Dimensions (mm)	484 × 303 × 88

Diagram



Keep the unit's all sides over 10cm away from objects that may obstruct air flow to prevent the unit's internal temperature rise.



Dimensions : Millimetres

Part Number Table

Description	Part Number
240W Mixer Amplifier - Six Input - 70V and 8Ω	MPA-240