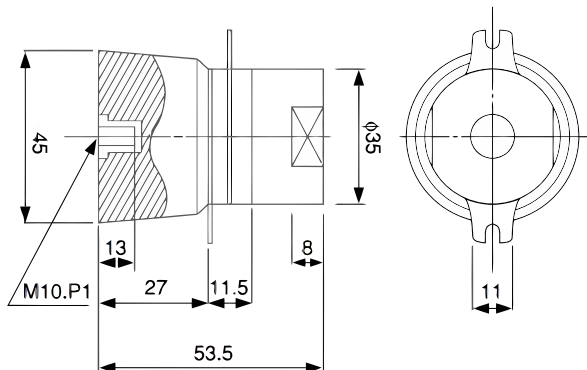


KEMET, NBL, Transducers, Single-layer



**Dimensions**

D	45mm NOM
L	53.5mm NOM

**Packaging Specifications**

Weight:	240
Packaging:	Bulk Tray, Box
Packaging Quantity:	30

**General Information**

Style:	Bolt-On
Description:	Langevin Bolt-On Transducers
RoHS:	Yes
Notes:	Horn Construction; Output Surface Has Step Or Horn Shape

**Specifications**

Series:	NBL
Capacitance:	4000 pF
Resonant Frequency:	40.2 kHz
Dynamic Admittance:	15msec
Mechanical Q:	500 Qm
Allowable Velocity:	50 cm/S
Allowable Power:	50
Temperature Range:	-40/+120C