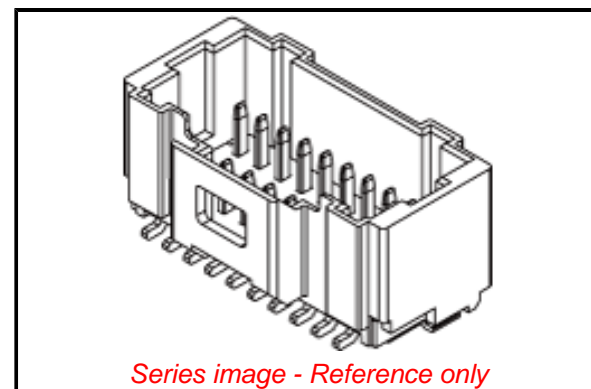


**PLEASE CHECK WWW.MOLEX.COM FOR LATEST PART INFORMATION**

**Part Number:** [5011903027](#)  
**Status:** **Active**  
**Overview:** Pico-Clasp Wire-to-Board Connectors  
**Description:** 1.00mm Pitch Pico-Clasp Wire-to-Board Header, Surface Mount, Dual Row, Vertical, 0.10µm Gold Plated, with Inner Positive Lock, 30 Circuits

**Documents:**

<a href="#">3D Model</a>	<a href="#">Application Specification 5011890000-A00 (PDF)</a>
<a href="#">Drawing (PDF)</a>	<a href="#">Application Specification 5011890000-A01 (PDF)</a>
<a href="#">Product Specification PS-501190-001-001 (PDF)</a>	<a href="#">RoHS Certificate of Compliance (PDF)</a>
<a href="#">Product Specification PS-501190-004-001 (PDF)</a>	



**Agency Certification**

UL E29179

**General**

Product Family	PCB Headers
Series	<a href="#">501190</a>
Application	Signal, Wire-to-Board
Comments	Without Pick-and-Place Tape
Overview	<a href="#">Pico-Clasp Wire-to-Board Connectors</a>
Product Name	Pico-Clasp
UPC	822350003636

**Physical**

Breakaway	No
Circuits (Loaded)	30
Circuits (maximum)	30
Color - Resin	Natural
Durability (mating cycles max)	30
First Mate / Last Break	No
Flammability	94V-0
Glow-Wire Capable	No
Guide to Mating Part	No
Keying to Mating Part	None
Lock to Mating Part	Yes
Material - Metal	Phosphor Bronze
Material - Plating Mating	Gold
Material - Plating Termination	Gold
Material - Resin	Nylon
Net Weight	423.800/mg
Number of Rows	2
Orientation	Vertical
PCB Locator	No
PCB Retention	Yes
Packaging Type	Embossed Tape on Reel
Pitch - Mating Interface	1.00mm
Plating min - Mating	0.102µm
Plating min - Termination	0.102µm
Polarized to Mating Part	Yes
Polarized to PCB	Yes
Stackable	No
Temperature Range - Operating	-40° to +105°C
Termination Interface: Style	Surface Mount

**Electrical**

Current - Maximum per Contact 1.0A

**EU ELV**

**Not Relevant**

**EU RoHS**

**Compliant**

**REACH SVHC**

Not Contained Per -  
ED/61/2018 (27 June  
2018)

**Halogen-Free**

**Status**

**Not Low-Halogen**

For more information, please visit [Contact US](#)

China ROHS

ELV

RoHS Phthalates

**China RoHS**

Green Image

Not Relevant

Not Contained

**Search Parts in this Series**

[501190 Series](#)

**Mates With**

[Pico-Clasp Female Housing 501189](#)

Voltage - Maximum

50V AC (RMS)/DC

**Material Info**

**Reference - Drawing Numbers**

Application Specification

5011890000-A00, 5011890000-A01

Product Specification

PS-501190-001-001, PS-501190-004-001

Sales Drawing

SD-501190-003, SD-501190-004

This document was generated on 10/15/2018

**PLEASE CHECK [WWW.MOLEX.COM](http://WWW.MOLEX.COM) FOR LATEST PART INFORMATION**