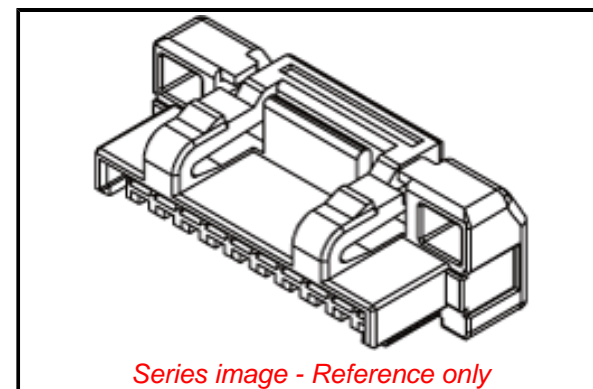


PLEASE CHECK WWW.MOLEX.COM FOR LATEST PART INFORMATION

Part Number: **5023800800**
Status: **Active**
Overview: CLIK-Mate Wire-to-Board Connectors
Description: 1.25mm Pitch CLIK-Mate Wire-to-Board Housing, Single Row, Positive Lock, 8 Circuits, White

Documents:

[3D Model](#) [Application Specification AS-502380-001-001 \(PDF\)](#)
[Drawing \(PDF\)](#) [Application Specification AS-502380-002-001 \(PDF\)](#)
[Product Specification PS-502382-001-001 \(PDF\)](#) [RoHS Certificate of Compliance \(PDF\)](#)
[Product Specification PS-502382-002-001 \(PDF\)](#)



General

Product Family Crimp Housings
 Series [502380](#)
 Application Signal, Wire-to-Board
 Overview [CLIK-Mate Wire-to-Board Connectors](#)
 Product Name CLIK-Mate
 UPC 822350894906

Physical

Breakaway No
 Circuits (maximum) 8
 Color - Resin White
 Gender Plug
 Glow-Wire Capable No
 Keying to Mating Part Yes
 Lock to Mating Part Yes
 Material - Resin Polyester
 Net Weight 217.000/mg
 Number of Rows 1
 Packaging Type Bag
 Panel Mount No
 Pitch - Mating Interface 1.25mm
 Polarized to Mating Part Yes
 Stackable No
 Temperature Range - Operating -40° to +105°C

Electrical

Current - Maximum per Contact 1.0A

Material Info

Reference - Drawing Numbers

Application Specification AS-502380-001-001, AS-502380-002-001
 Product Specification PS-502382-001-001, PS-502382-002-001
 Sales Drawing SD-502380-001, SD-502380-002

EU ELV

Compliant

EU RoHS

Compliant

REACH SVHC

Not Contained Per -
 ED/61/2018 (27 June
 2018)

Halogen-Free

Status

Not Low-Halogen

For more information, please visit [Contact US](#)

China ROHS

ELV

RoHS Phthalates

China RoHS

Green Image

Compliant

Not Contained

Search Parts in this Series

[502380](#) Series

Mates With

[502382](#) PCB Receptacle, [502386](#) PCB Receptacle

Use With

[502381](#) Crimp Terminal