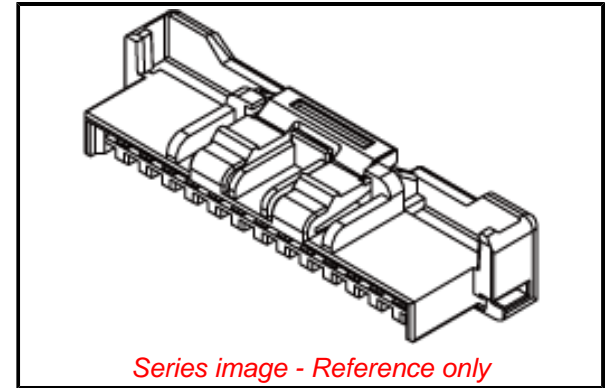


**PLEASE CHECK WWW.MOLEX.COM FOR LATEST PART INFORMATION**

**Part Number:** **5024390600**  
**Status:** **Active**  
**Overview:** CLIK-Mate Wire-to-Board Connectors  
**Description:** 2.00mm Pitch CLIK-Mate Wire-to-Board Housing, Single Row, Positive Lock, 6 Circuits, White

**Documents:**

|   |   |
|---|---|
| <a href="#">3D Model</a>  | <a href="#">Application Specification AS-502439-002-001 (PDF)</a> |
| <a href="#">Drawing (PDF)</a>                                     | <a href="#">Packaging Specification 5024399200-200 (PDF)</a>      |
| <a href="#">Product Specification 5024431570-000 (PDF)</a>        | <a href="#">RoHS Certificate of Compliance (PDF)</a>              |
| <a href="#">Application Specification AS-502439-001-001 (PDF)</a> |   |



**Agency Certification**

UL E29179

**General**

|                |   |
|----------------|---|
| Product Family | Crimp Housings  |
| Series         | <a href="#">502439</a>  |
| Application    | Signal, Wire-to-Board   |
| Comments       | See Product Specification for maximum current rating by circuit size and wire AWG |
| Overview       | <a href="#">CLIK-Mate Wire-to-Board Connectors</a>                                |
| Product Name   | CLIK-Mate   |
| UPC            | 822350915847  |

**Physical**

|                               |                |
|-------------------------------|----------------|
| Breakaway                     | No             |
| Circuits (maximum)            | 6              |
| Color - Resin                 | White          |
| Gender                        | Plug           |
| Glow-Wire Capable             | No             |
| Keying to Mating Part         | Yes            |
| Lock to Mating Part           | Yes            |
| Material - Resin              | PBT            |
| Net Weight                    | 506.000/mg     |
| Number of Rows                | 1              |
| Packaging Type                | Bag            |
| Panel Mount                   | No             |
| Pitch - Mating Interface      | 2.00mm         |
| Polarized to Mating Part      | Yes            |
| Stackable                     | No             |
| Temperature Range - Operating | -40° to +105°C |

**Electrical**

Current - Maximum per Contact 3.0A

**Material Info**

**Reference - Drawing Numbers**

|                           |                                      |
|---------------------------|--------------------------------------|
| Application Specification | AS-502439-001-001, AS-502439-002-001 |
| Packaging Specification   | 5024399200-200                       |
| Product Specification     | 5024431570-000                       |
| Sales Drawing             | 5024391500-000                       |

**EU ELV**

**Not Relevant**

**EU RoHS**

**Compliant**

**REACH SVHC**

Not Contained Per - ED/61/2018 (27 June 2018)

**Halogen-Free**

**Status**

**Not Low-Halogen**

For more information, please visit [Contact US](#)

China ROHS

ELV

RoHS Phthalates

**China RoHS**

Green Image

Not Relevant

Not Contained

**Search Parts in this Series**

[502439](#) Series

**Mates With**

[502443](#) PCB Receptacle Vertical . [502494](#) PCB Receptacle Right Angle

**Use With**

[502438](#) Crimp Terminal