

PLEASE CHECK WWW.MOLEX.COM FOR LATEST PART INFORMATION

Part Number: **5034730200**
Status: **Active**
Description: Flexi-Mate 3.70mm Pitch Wire-to-Board Plug Housing, Right-Angle, 3.00mm Stacking Height, 2 Circuits

Documents:

3D Model	Application Specification AS-503471-001-061 (PDF)
Drawing (PDF)	Packaging Specification SPK-503473-001-001 (PDF)
Product Specification 5034710000-000 (PDF)	RoHS Certificate of Compliance (PDF)
Product Specification PS-503471-001-001 (PDF)	

Agency Certification

UL E29179

General

Product Family	Crimp Housings
Series	503473
Application	Signal, Wire-to-Board
Product Name	Flexi-Mate
UPC	883906918675

Physical

Circuits (maximum)	2
Color - Resin	White
Flammability	94HB
Gender	Plug
Glow-Wire Capable	No
Keying to Mating Part	Yes
Lock to Mating Part	Yes
Net Weight	165.000/mg
Number of Rows	1
Packaging Type	Bag
Panel Mount	No
Pitch - Mating Interface	3.70mm
Polarized to Mating Part	Yes
Stackable	No
Temperature Range - Operating	-40° to +85°C

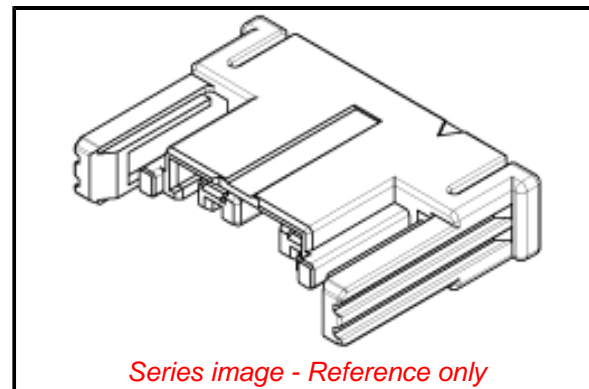
Electrical

Current - Maximum per Contact 2.0A

Material Info

Reference - Drawing Numbers

Application Specification	AS-503471-001-061
Packaging Specification	SPK-503473-001-001
Product Specification	5034710000-000, PS-503471-001-001
Sales Drawing	SD-503473-001



EU ELV

Not Relevant

EU RoHS

Compliant

REACH SVHC

Not Contained Per -
ED/61/2018 (27 June
2018)

Halogen-Free

Status

Not Low-Halogen

For more information, please visit [Contact US](#)

China ROHS

ELV

RoHS Phthalates

China RoHS

Green Image

Not Relevant

Not Contained

Search Parts in this Series

503473 Series

Mates With

503471 PCB Receptacle

Use With

503485 Crimp Terminal