

**PLEASE CHECK WWW.MOLEX.COM FOR LATEST PART INFORMATION**

**Part Number:** [0731000257](#)  
**Status:** **Active**  
**Overview:** [SMB RF Connectors](#)  
**Description:** 50 Ohms, SMB Right-Angle Plug, RG-174, RG-188 and RG-316 Cable

**Documents:**

[Drawing \(PDF\)](#) [RoHS Certificate of Compliance \(PDF\)](#)

**General**

Product Family	RF/Coax Connectors
Series	<a href="#">73404</a>
Overview	<a href="#">SMB RF Connectors</a>
Product Name	SMB
Style	Cable
Type	Subminiature
UPC	800753680531
Wire/Cable Type	RG-174, RG-188, RG-316

**Physical**

Gender	Plug
Keying to Mating Part	None
Net Weight	2.889/g
Orientation	Right Angle
PCB Mounting	N/A
Packaging Type	Tray
Panel Mount	No
Panel Mount Method	N/A
Reverse Polar	No

**Electrical**

Frequency	4 GHz
Impedance	50Ω

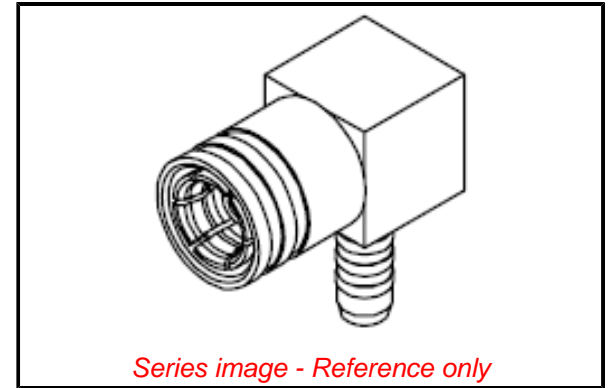
**Solder Process Data**

Lead-freeProcess Capability	N/A
-----------------------------	-----

**Material Info**

**Reference - Drawing Numbers**

Sales Drawing	SD-73100-0257
---------------	---------------



*Series image - Reference only*

**EU ELV**

**Not Relevant**

**EU RoHS**

**Compliant with Exemption 6(c)**

**REACH SVHC**

Not Contained Per  
-ED/01/2018 (15  
January 2018)

**Halogen-Free**

**Status**

**Low-Halogen**

**Need more information on product environmental compliance?**

Email [productcompliance@molex.com](mailto:productcompliance@molex.com)  
Please visit the [Contact Us](#) section for any non-product compliance questions.

China ROHS	50 Image
ELV	Not Relevant
Prop65	Duty-To-Declare
PropRisk	Cancer
PropRisk	Developmental toxicity
PropRisk	Reproductive toxicity
PropSub	Lead and its compounds
RoHS Phthalates	Not Contained

**Search Parts in this Series**

[73404 Series](#)