

PLEASE CHECK WWW.MOLEX.COM FOR LATEST PART INFORMATION

Part Number: [0731712730](#)
Status: **Active**
Overview: BNC Miniature RF Connectors and Cable Assemblies
Description: 75 Ohms, Mini BNC, Straight Jack, Nickel

Documents:

[Drawing \(PDF\)](#) [RoHS Certificate of Compliance \(PDF\)](#)

General

Product Family	RF/Coax Connectors
Series	73171
Overview	BNC Miniature RF Connectors and Cable Assemblies
Product Name	mini-BNC
Style	PCB
Type	Subminiature
UPC	800756697819
Wire/Cable Type	N/A

Physical

Gender	Jack
Keying to Mating Part	Yes
Net Weight	2.389/g
Orientation	Straight
PCB Mounting	Through Hole
PCB Thickness - Recommended	3.81mm
Packaging Type	Tray
Panel Mount	No
Panel Mount Method	N/A
Reverse Polar	No

Electrical

Frequency	4 GHz
Impedance	75Ω

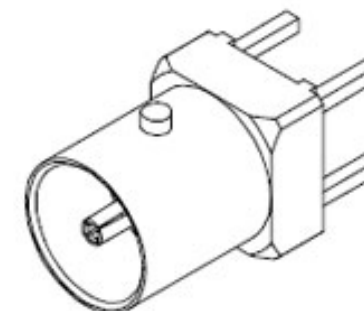
Solder Process Data

Duration at Max. Process Temperature (seconds)	005
Lead-freeProcess Capability	SMC&WAVE
Max. Cycles at Max. Process Temperature	002
Process Temperature max. C	260

Material Info

Reference - Drawing Numbers

Sales Drawing	SD-73171-273
---------------	--------------



Series image - Reference only

EU ELV

Not Relevant

EU RoHS

Compliant with Exemption 6(c)

REACH SVHC

Contained Per - ED/61/2018 (27 June 2018)

Lead

Halogen-Free

Status

Low-Halogen

Need more information on product environmental compliance?

Email productcompliance@molex.com
Please visit the [Contact Us](#) section for any non-product compliance questions.

China ROHS

50 Image

ELV

Not Relevant

Prop65

Duty-To-Declare

PropRisk

Cancer

PropRisk

Developmental toxicity

PropRisk

Reproductive toxicity

PropSub

Lead and its compounds

RoHS Phthalates

Not Contained

Search Parts in this Series

[73171](#) Series