

**PLEASE CHECK WWW.MOLEX.COM FOR LATEST PART INFORMATION**

**Part Number:** **0731740040**  
**Status:** **Active**  
**Overview:** DIN 1.0/2.3 Connector and Backplane System  
**Description:** 50 Ohms, DIN 1.0/2.3 / DIN 41626, Right-Angle, Jack, Tray

**Documents:**

[Drawing \(PDF\)](#) [RoHS Certificate of Compliance \(PDF\)](#)

**General**

Product Family	RF/Coax Connectors
Series	73174
Overview	<u>DIN 1.0/2.3 Connector and Backplane System</u>
Product Name	DIN 1.0/2.3, DIN 41626
Style	PCB
Type	Subminiature
UPC	822350561877
Wire/Cable Type	N/A

**Physical**

Gender	Jack
Keying to Mating Part	None
Net Weight	2.379/g
Orientation	Right Angle
PCB Mounting	Through Hole
Packaging Type	Tray
Panel Mount	No
Panel Mount Method	N/A
Reverse Polar	No

**Electrical**

Frequency	10 GHz
Impedance	50Ω

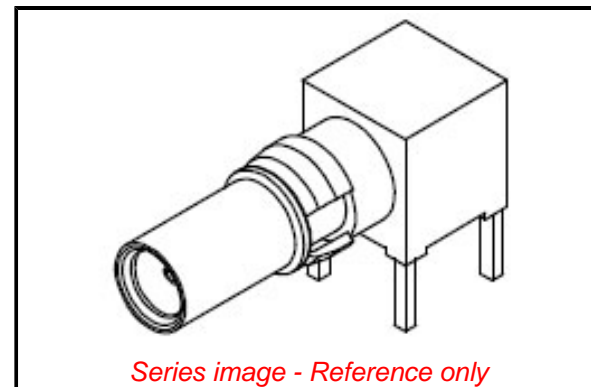
**Solder Process Data**

Duration at Max. Process Temperature (seconds)	010
Lead-free Process Capability	SMC&WAVE
Max. Cycles at Max. Process Temperature	002
Process Temperature max. C	260

**Material Info**

**Reference - Drawing Numbers**

Sales Drawing	SD-73174-004-000
---------------	------------------



*Series image - Reference only*

**EU ELV**

**Not Relevant**

**EU RoHS**

**Compliant with Exemption 6(c)**

**REACH SVHC**

Contained Per - ED/61/2018 (27 June 2018)

Lead

**Halogen-Free**

**Status**

**Low-Halogen**

**Need more information on product environmental compliance?**

Email [productcompliance@molex.com](mailto:productcompliance@molex.com)  
Please visit the [Contact Us](#) section for any non-product compliance questions.

China ROHS	50 Image
ELV	Not Relevant
Prop65	Duty-To-Declare
PropRisk	Cancer
PropRisk	Developmental toxicity
PropRisk	Reproductive toxicity
PropSub	Lead and its compounds
RoHS Phthalates	Not Contained

**Search Parts in this Series**

73174 Series