

PLEASE CHECK WWW.MOLEX.COM FOR LATEST PART INFORMATION

Part Number: [0732540240](#)
Status: **Active**
Overview: QMA RF Connectors
Description: 50 Ohms, QMA Right-Angle Jack, PCB Receptacle, Tray

Documents:

[Drawing \(PDF\)](#) [RoHS Certificate of Compliance \(PDF\)](#)

General

Product Family	RF/Coax Connectors
Series	73254
Overview	QMA RF Connectors
Product Name	QMA
Style	PCB
Type	Subminiature
UPC	822348845606
Wire/Cable Type	N/A

Physical

Gender	Jack
Keying to Mating Part	None
Net Weight	3.937/g
Orientation	Right Angle
PCB Mounting	Through Hole
PCB Thickness - Recommended	3.81mm
Packaging Type	Tray
Panel Mount	Yes
Panel Mount Method	N/A
Reverse Polar	No

Electrical

Frequency	18 GHz
Impedance	50Ω

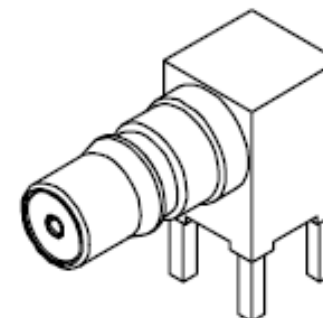
Solder Process Data

Duration at Max. Process Temperature (seconds)	010
Lead-freeProcess Capability	SMC&WAVE
Max. Cycles at Max. Process Temperature	002
Process Temperature max. C	260

Material Info

Reference - Drawing Numbers

Sales Drawing	SD-73254-024
---------------	--------------



Series image - Reference only

EU ELV

Not Relevant

EU RoHS

Compliant with Exemption 6(c)

REACH SVHC

Contained Per - ED/61/2018 (27 June 2018)

Lead

Halogen-Free

Status

Low-Halogen

Need more information on product environmental compliance?

Email productcompliance@molex.com
Please visit the [Contact Us](#) section for any non-product compliance questions.

China ROHS	50 Image
ELV	Not Relevant
Prop65	Duty-To-Declare
PropRisk	Cancer
PropRisk	Developmental toxicity
PropRisk	Reproductive toxicity
PropSub	Lead and its compounds
RoHS Phthalates	Not Contained

Search Parts in this Series

[73254 Series](#)