

**PLEASE CHECK WWW.MOLEX.COM FOR LATEST PART INFORMATION**

**Part Number:** [0732760190](#)  
**Status:** **Active**  
**Overview:** Type N RF Connectors  
**Description:** 50 Ohms, N Right-Angle Plug, Crimp, RG-141, RG-303 and RG-58 Cable

**Documents:**

[Drawing \(PDF\)](#) [RoHS Certificate of Compliance \(PDF\)](#)  
[Product Specification PS-89675-322-001 \(PDF\)](#)

**General**

Product Family	RF/Coax Connectors
Series	73276
Overview	Type N RF Connectors
Product Name	N
Style	Cable
Type	Medium
UPC	822350221191
Wire/Cable Type	RG-141, RG-303, RG-58

**Physical**

Gender	Plug
Keying to Mating Part	None
Net Weight	49.534/g
Orientation	Right Angle
PCB Mounting	N/A
Packaging Type	Bag
Panel Mount	No
Panel Mount Method	N/A
Reverse Polar	No

**Electrical**

Frequency	11 GHz
Impedance	50Ω

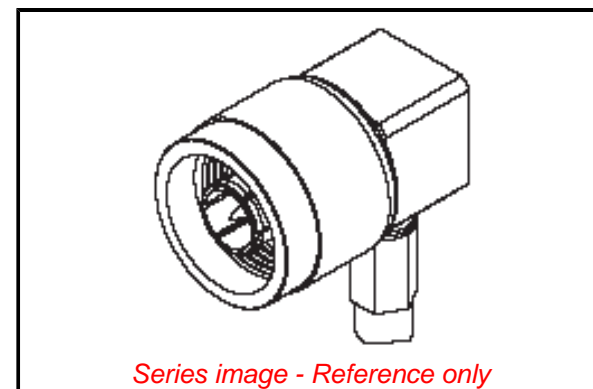
**Solder Process Data**

Lead-freeProcess Capability	N/A
-----------------------------	-----

**Material Info**

**Reference - Drawing Numbers**

Product Specification	PS-89675-322-001
Sales Drawing	SD-73276-019



Series image - Reference only

**EU ELV**

**Not Relevant**

**EU RoHS**

**Compliant with Exemption 6(c)**

**REACH SVHC**

Contained Per - ED/01/2018 (15 January 2018) 2,4-Di-tert-butyl-6-(5-chlorobenzotriazol-2-yl)p

**Halogen-Free**

**Status**

**Low-Halogen**

**Need more information on product environmental compliance?**

Email [productcompliance@molex.com](mailto:productcompliance@molex.com)  
Please visit the [Contact Us](#) section for any non-product compliance questions.

China ROHS	50 Image
ELV	Not Relevant
Prop65	Duty-To-Declare
PropRisk	Cancer
PropRisk	Developmental toxicity
PropRisk	Reproductive toxicity
PropSub	Lead and its compounds
RoHS Phthalates	Not Contained

**Search Parts in this Series**

[73276 Series](#)