

Ultimate Miniature Size Connector with Integral Cable Clamp Cap

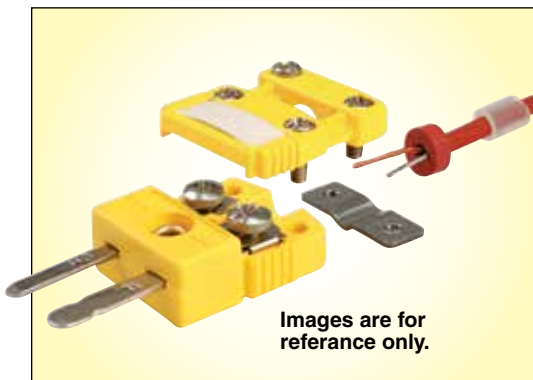


SMPW-CC Series

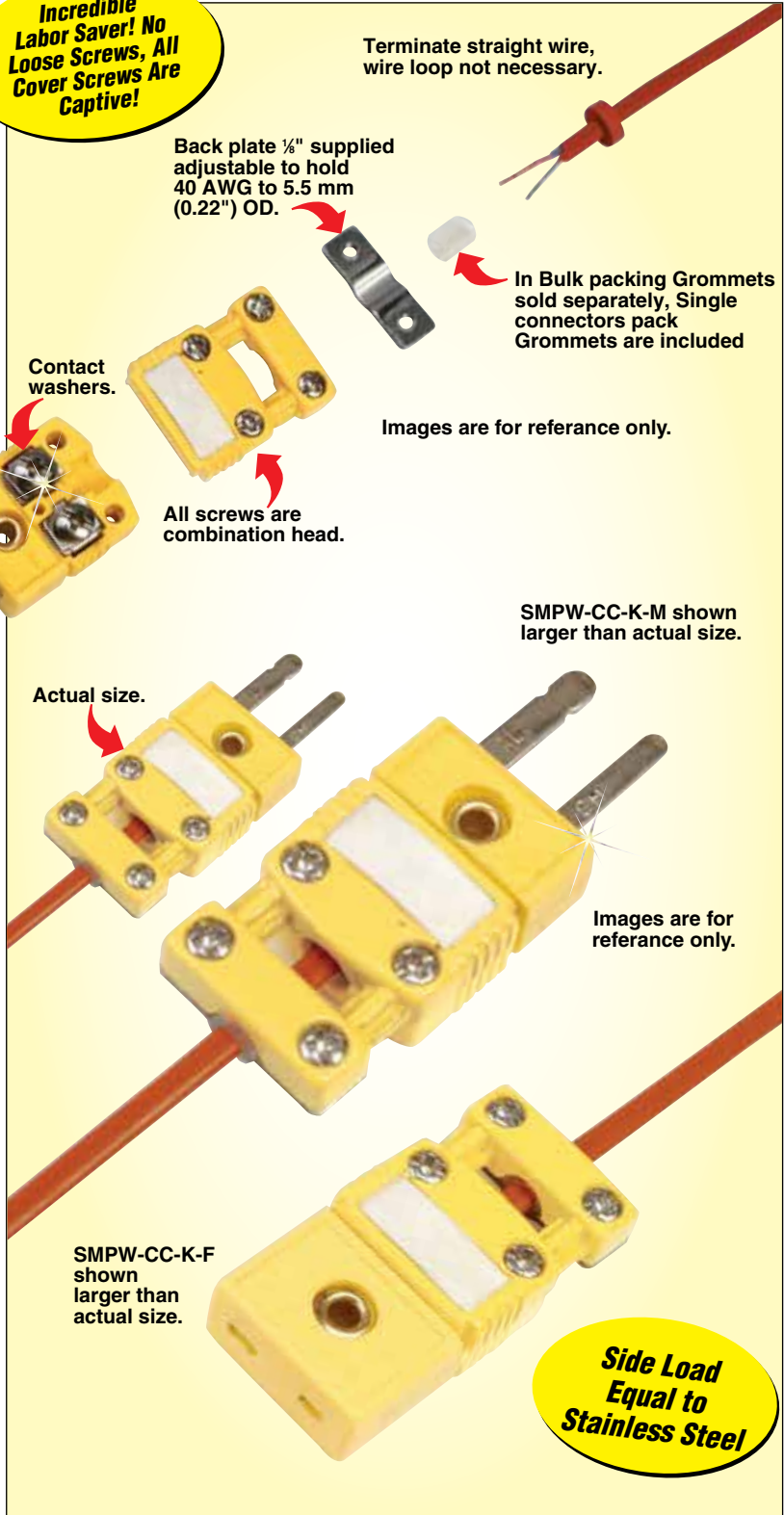
- ✓ Integral Cap+Cable Clamp
- ✓ Strain Relief With Grommet
- ✓ Captive Cover Screws
- ✓ Captive Clamp Screws
- ✓ Accepts Stranded or Solid Wire as Small as 40 AWG Up to 20 AWG, or Overbraided, TWSH, Armored Up to 5.5 mm (0.22") OD
- ✓ Contact Washers for Quick Connect Wire Termination
 - Use Straight Wire
 - No Wire Loop Required
- ✓ Internal Wire Divider
- ✓ Write-On Window
- ✓ Combination Phillips/Slot Screws
- ✓ 100% Top Side Assembly
- ✓ Glass Filled Nylon Rated From -29 to 180°C (-20 to 356°F)
- ✓ Sold in Single Connector or Bulk Pack of 5, 50, 100

Note: Minor discoloration of connector may occur between 150°C (302°F) and 180°C (356°F). Electrical properties are not affected.

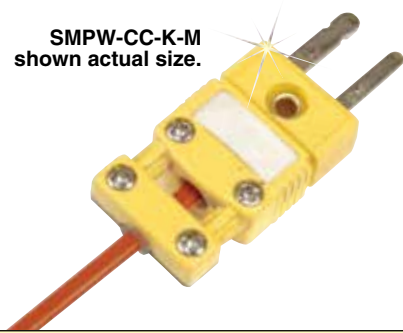
Reduce Assembly Time From 3 Minutes to Less Than 1 Minute!



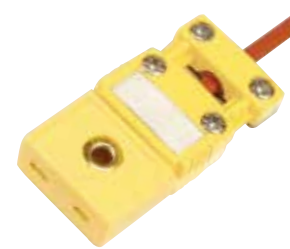
Incredible Labor Saver! No Loose Screws, All Cover Screws Are Captive!



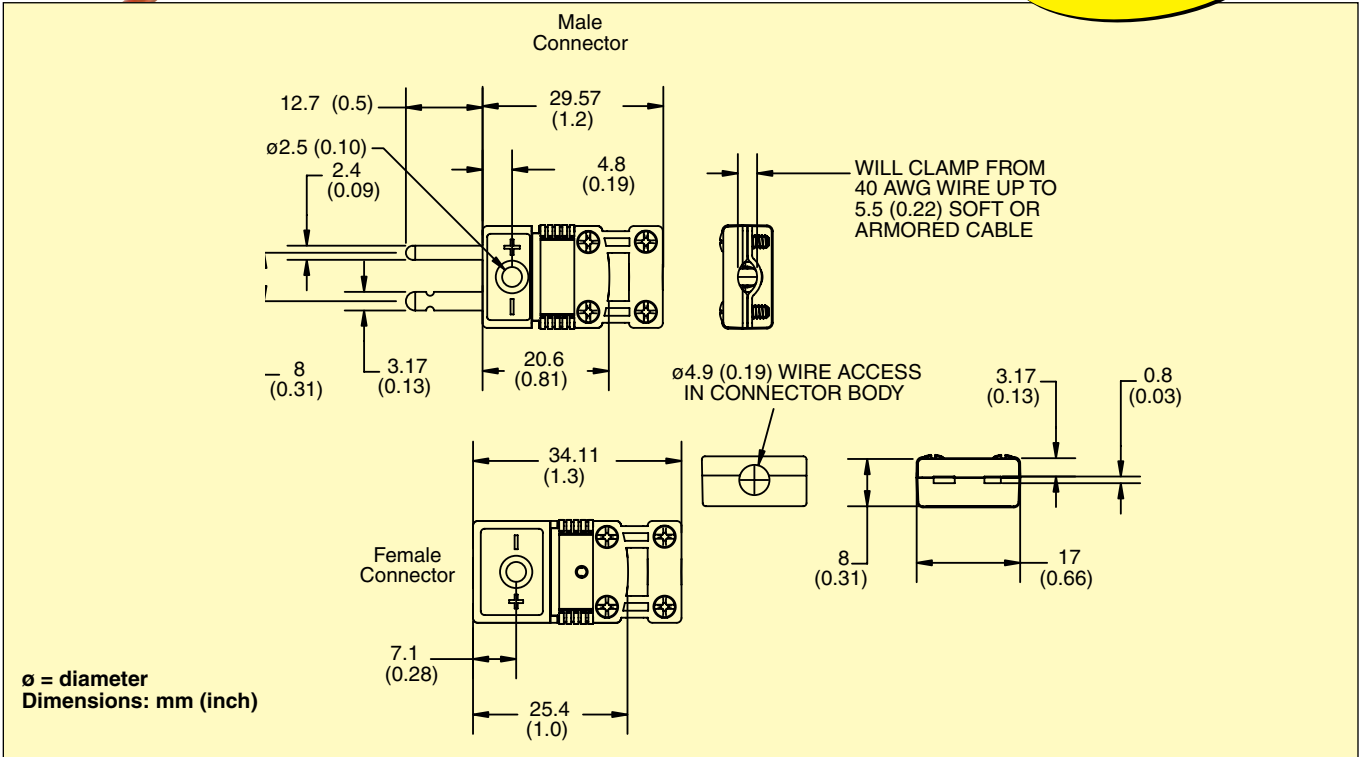
SMPW-CC-K-M
shown actual size.



SMPW-CC-K-F
shown actual size.

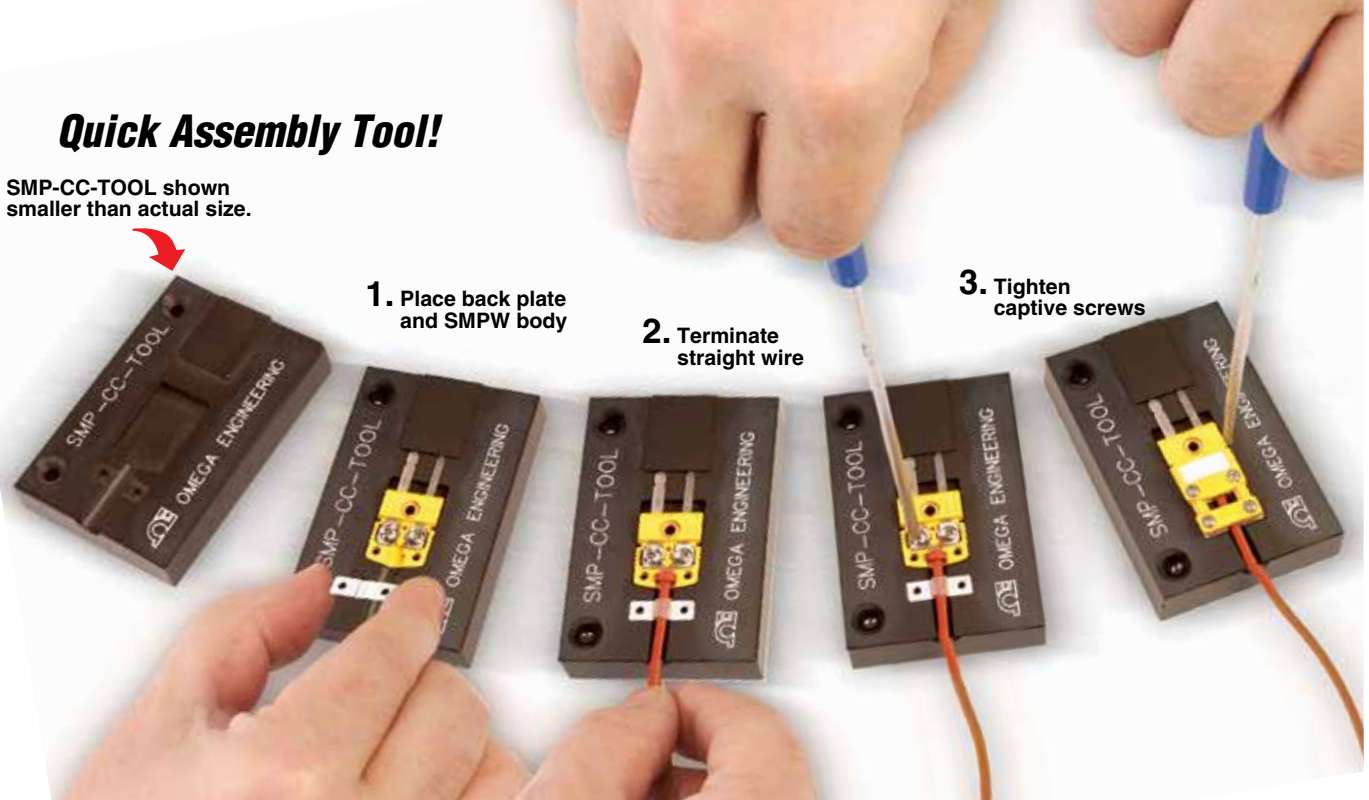


**Pull Test
Highest Rating**



Quick Assembly Tool!

SMP-CC-TOOL shown smaller than actual size.



1. Place back plate and SMPW body

2. Terminate straight wire

3. Tighten captive screws

Bulk Packaging, the Wire/Connector and Clamp Grommets Sold Separately.

Model Number	Inside Dia mm (inch)	Outside Dia mm (inch)	Length mm (inch)	Description
SR-SMP-*	1.59 (0.063)	4.77 (0.188)	6.35 (0.25)	Strain relief Silicone Wire Grommet
SSRT-CC-018-(*)	3.18 (0.125)	4.77 (0.188)	6.35 (0.250)	Silicon Clamp Grommet
SSRT-CC-332-(*)	2.38 (0.094)			
SSRT-CC-116-(*)	1.59 (0.063)			
SSRT-CC-132-(*)	0.79 (0.032)			

* Insert package QTY: Select from 5, 10, 50, 100

To Order					
Alloy Code	Compensating Alloy Used in Connector		ANSI Color Code	Glass-Filled Nylon Model No.	
	(+)	(-)		Male	Female
K	CHROMECA™	ALOMECA™	Yellow	SMPW-CC-K-M	SMPW-CC-K-F
T	Copper	Constantan	Blue	SMPW-CC-T-M	SMPW-CC-T-F
J	Iron	Constantan	Black	SMPW-CC-J-M	SMPW-CC-J-F
E	CHROMECA	Constantan	Purple	SMPW-CC-E-M	SMPW-CC-E-F
R/S	Copper	RNX/SNX	Green	SMPW-CC-R/S-M	SMPW-CC-R/S-F
C	CPX	CNX	Red	SMPW-CC-C-M	SMPW-CC-C-F
U	Copper	Copper	White	SMPW-CC-U-M	SMPW-CC-U-F
N	OMEGA-P™	OMEGA-N™	Orange	SMPW-CC-N-M	SMPW-CC-N-F

* To order solid pin male connectors, add suffix “-S” to the model number for additional cost.

Ordering Example: OSTW-CC-K-M, clamp cap, Type K, hollow pin male.

Note: Bulk packaging options available OSTW-CC-*.***.***, where * Calibration type, ** M or F, *** 5, 50 or 100 pkg qty.