

ISL9230EVAL1Z

Evaluation Board

AN1746
Rev 0.00
Mar 30, 2012

Description

The ISL9230 is a fully integrated high input voltage single-cell Li-ion battery charger with power path management function. This charger performs the CC/CV charge function required by Li-ion batteries. The charger can withstand an input voltage up to 26V but is disabled when the input voltage exceeds 6.6V OVP threshold. The input current limit and charge current are programmable with external resistors. When the battery voltage is lower than 3.0V, the charger preconditions the battery with 10% of the programmed charge current. When the charge current reduces to the programmable end-of-charge (EOC) current level during the CV charge phase, the EOC indicator ($\overline{\text{CHG}}$) will toggle to a logic High to indicate the end-of-charge condition.

The ISL9230 uses separate power paths to supply the system load and charge the battery. This feature allows the system to immediately operate with a completely discharged battery. This feature also allows the charge to terminate when the battery is full while continuing to supply the system power from the input source, thus minimizing unnecessary charge/discharge cycles and prolonging the battery life.

Two indication pins ($\overline{\text{PG}}$ and $\overline{\text{CHG}}$) allow simple interface to a microprocessor or LEDs.

Ordering Information

PART #	DESCRIPTION
ISL9230EVAL1Z	Evaluation Board for ISL9230

Features

- Complete Charger for Single-Cell Li-ion/Polymer Batteries
- Current Path Management Optimize for Charge and System Currents
- Intelligent Timeout Interval Based on Actual Charge Current
- 1% Charger Output Voltage Accuracy
- Programmable Input Current Limit
- Programmable Charge Current
- Charge Current Thermal Foldback for Thermal Protection
- Trickle Charge for Fully Discharged Batteries
- 26V Maximum Voltage at VIN Pin
- Power Presence and Charge Indications
- Ambient Temperature Range: -40 °C to +85 °C
- 16 Ld 3x3 TQFN Package
- Pb-Free (RoHS Compliant)

What is Needed

The following instruments will be needed to perform testing:

- Power Supplies:
 - PS1: DC 30V/2A
 - PS2: DC 20V/2A
- DC Electronic Load: 20V/2A
- Multimeters
- Function Generator
- Oscilloscope
- Cables and Wires

Quick Setup Guide (Refer to Figure 1)

DO NOT APPLY POWER UNTIL STEP 7

- Step 1:** Connect a 5V supply PS1 capable of delivering 1.5A current (see Figure 1)
- Step 2:** Connect a 3.7V supply PS2 with current capability 1.5A (see Figure 1)
- Step 3:** Connect voltmeters V1, V2 and V3 to monitor VIN, VBAT and VOUT (see Figure 1)
- Step 4:** Connect a 2nd DC electronic load at CC mode, E-load 2 (see Figure 1)
- Step 5:** Insert a thermistor of type 103AT between 2 and 3 of jumper header JP9, or place a jumper shunt between pin 1 and 2 to use the on board 10k resistor to skip the NTC evaluation

- Step 6:** Configure jumper shunts on JP12, JP13, JP4 and JP5 to set maximum input current limit
- Step 7:** Turn on Power Supplies and DC electronic load
- Step 8:** LEDs D1 and D2 should be on, indicating normal charging operation
- Step 9:** Turn off E-load 2 to check charge current only
- Step 10:** Check charge currents as configured in Table 3
- Step 11:** With a fixed charge current at CC mode, turn on E-load 2 at constant current mode and slowly increase the current, monitor the currents out of both J1 and J3, until the current at J1 starts to decrease. Further increase of the current at J3 will result in a current decrease at J1 at the same rate, indicating that the power DPPM function is working

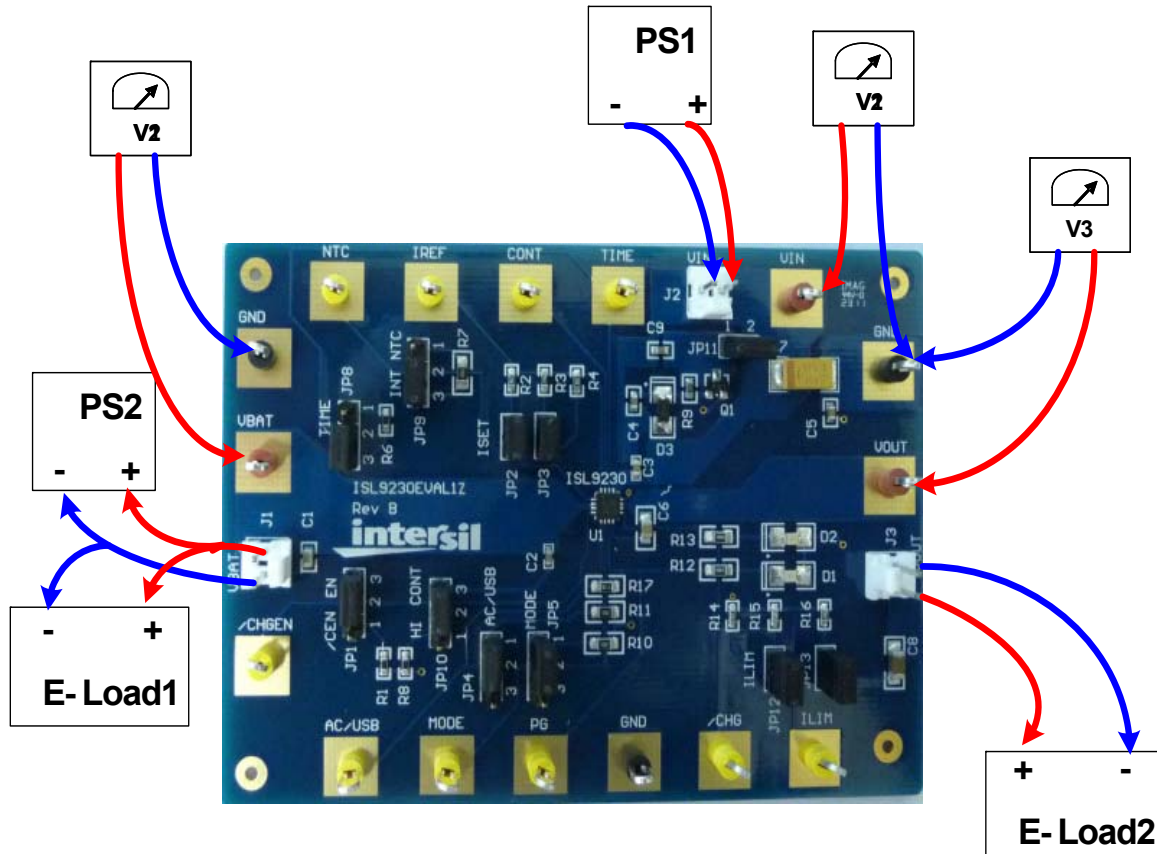


FIGURE 1. CONNECTION OF INSTRUMENTS

Detailed Description

The ISL9230EVAL1Z is a complete evaluation platform addressing all datasheet specifications and functions. The jumpers on the board facilitate the necessary connections, such as current measurement.

Jumper Settings

JP1 - Insert a shunt installed between pin1 and pin2 to disable the charging function. Install a shunt between pin2 and pin3 to enable the charging function.

JP2 - Install or remove a jumper shunt to set the fast charge current as shown in Table 3.

JP3 - Install or remove a jumper shunt to set the fast charge current as shown in Table 3.

JP4 - Selects the input current limit along with JP5, as shown on Table 2. A shunt installed between pin1 and pin2 pulls the AC/USB pin to high through the internal pull-up resistor. If a shunt is installed between 2 and 3, the AC/USB is pulled to low.

JP5 - Selects the input current limit along with JP4, as shown in Table 2. A shunt installed between pin1 and pin2 pulls the Mode pin to high through the internal pull-up resistor. If a shunt is installed between 2 and 3, the Mode is pulled to low.

JP8 - A shunt installed between pin1 and pin2 sets the TIME pin to use the on board resistor (49.9k) to set the timeout interval. If the shunt is installed between pin2 and pin3, the default timeout is used. Connect an external resistor on pin2 and pin3 to set other timeout intervals.

JP9 - Thermistor input. Connect a thermistor of type 103AT with 10k @ RT, between pin2 and pin3. If temperature monitoring is not needed, simply install a jumper shunt on pin1 and pin2 to connect the on board 10k resistor to GND to skip the NTC function.

JP10 - A shunt installed between pin1 and pin2 sets the continuous mode, i.e., the charger continues to deliver current to the battery after an EOC condition has been reached. If the shunt is installed between pin2 and pin3, the charge will be terminated when the EOC current is reached.

JP11 - Install a jumper shunt to use VIN as the bias power for the LEDs and the internal pull-up source. If an external source is used for these housekeeping sources, connect a 5V supply between pin 1 and GND.

JP12 - Install or remove a jumper shunt to set the input current limit as shown in Table 2.

JP13 - Install or remove a jumper shunt to set the input current limit as shown in Table 2.

TABLE 1. INPUT CURRENT LIMIT SETTINGS FOR AC/USB = 1 AND MODE = 0

	RESISTOR VALUE	ILIM
JP12 and JP13 OFF	3.09k	493mA
JP12 ON and JP13 OFF	1.62k	993mA
JP12 OFF and JP13 ON	1.56k	1030mA
JP12 and JP13 ON	1.07k	1505mA

TABLE 2. INPUT CURRENT LIMIT SELECTION

JUMPER	AC/USB	MODE	DESCRIPTION
Shunt on 2-3 JP4 Shunt on 2-3 JP5	0	0	USB 100mA limit
Shunt on 2-3 JP4 Shunt on 1-2 JP5	0	1	USB 500mA limit
Shunt on 1-2 JP4 Shunt on 2-3 JP5	1	0	R _{LIM} current programming
Shunt on 1-2 JP4 Shunt on 1-2 JP5	1	1	Suspend mode

TABLE 3. FAST CHARGE CURRENT SETTINGS

	RESISTOR VALUE	ICHG
JP2 and JP3 OFF	1.96k	454mA
JP2 ON and JP3 OFF	1.1k	809mA
JP2 OFF and JP3 ON	1.08k	820mA
JP2 and JP3 ON	0.68k	1309mA

Board Layout Information

Schematic of PCB Board

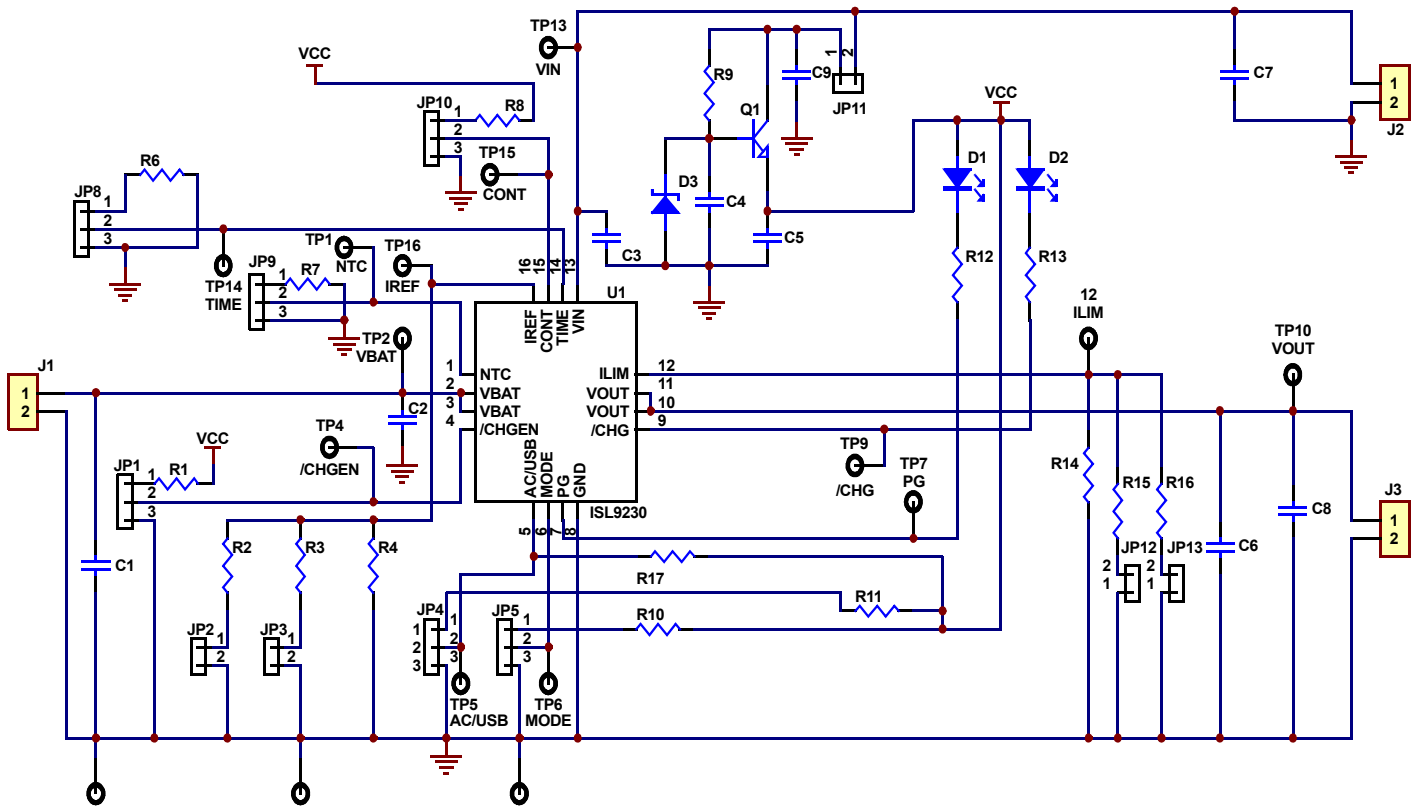


FIGURE 2. SCHEMATIC

PCB Layout

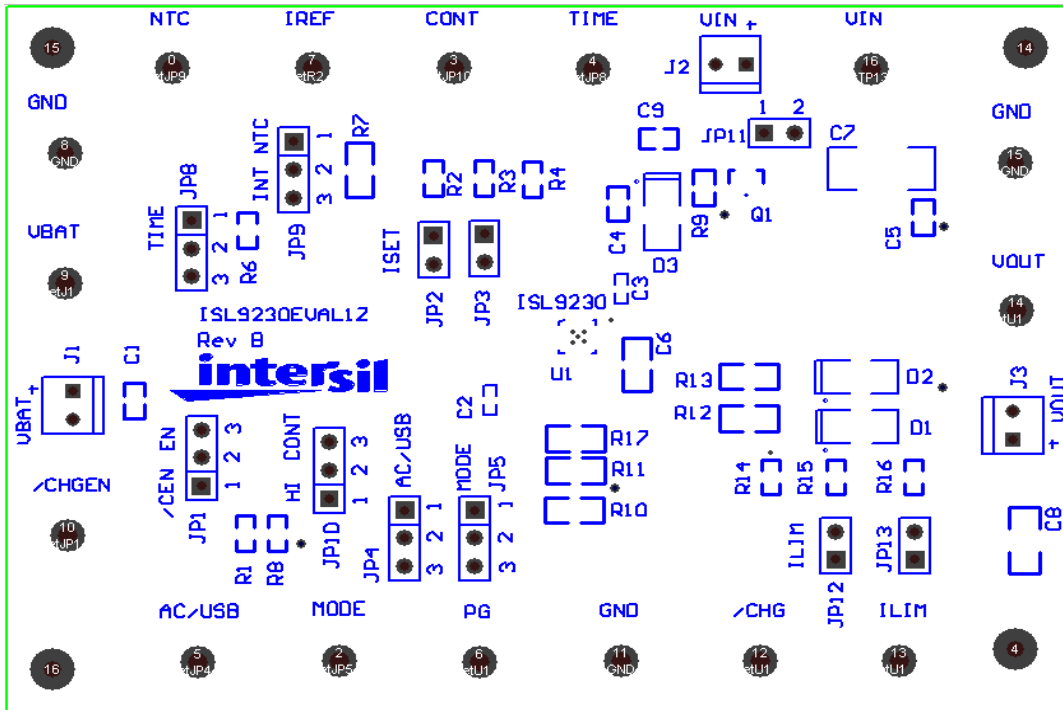


FIGURE 3. SILK LAYER

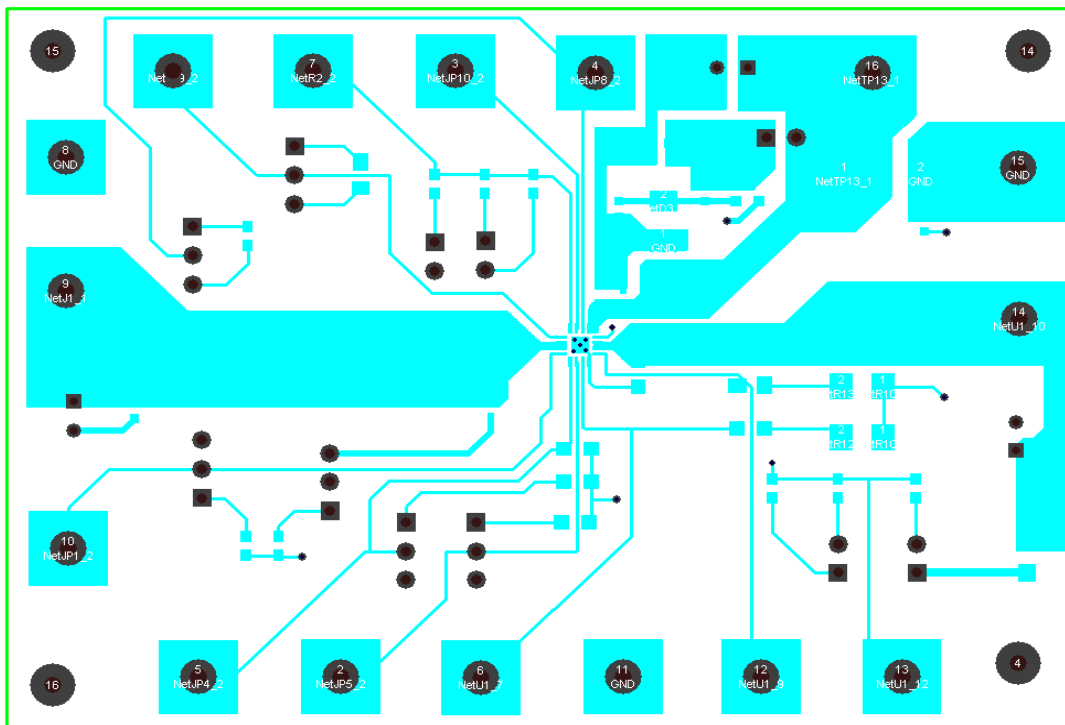


FIGURE 4. TOP LAYER

PCB Layout (Continued)

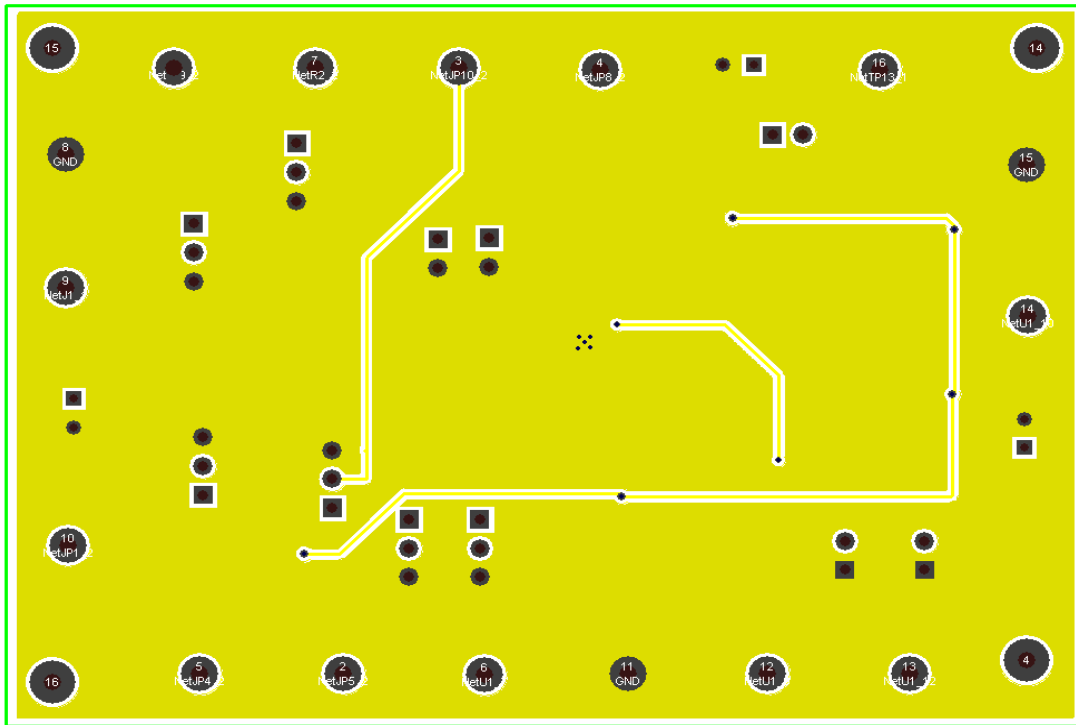


FIGURE 5. BOTTOM LAYER

ISL9230EVAL1Z Bill Of Materials

ITEM	QTY	REFERENCE	PART DESCRIPTION	PCB FOOTPRINT	PART NUMBER	VENDOR
1	1	U1	Charger IC	3x3 TQFN	ISL9230	Intersil
2	2	R1, R8	10k	0603		Any
3	1	R2	1.96k 1%	0603		Any
4	1	R3	2.49k, 1%	0603		Any
5	1	R4	2.43k, 1%	0603		Any
6	1	R6,	49.9k, 1%	0603		Any
7	3	R7, R10, R11	10k, 1%	0805		Any
8	1	R9	3.3k, 5%	0603		Any
9	2	R12, R13	330Ω, 5%, SMD Resistor	0805	ERJ-6GEYJ331V	Panasonic
10	1	R14	3.09k 1%	603		Any
11	1	R15	3.4k 1%	603		Any
12	1	R16	3.16k 1%	603		Any
13	1	R17	301k 1%	0805		Any
14	1	C1	2.2μF/6.3V, X7R Ceramic	0603		Any
15	1	C2	0.1μF/6.3V, X7R Ceramic	0402		Any
16	1	C3	0.1μF/35V, X7R Ceramic	0402		Any
17	3	C4, C5, C9	0.1μF, 50V, X7R Ceramic	0603	ECJ-1VB1H104K	Panasonic
18	1	C6	0.1μF, 50V, X7R Ceramic	805		Any
19	1	C7	4.7μF, 35V, Tantalum	6032-28	ECS-T1VC475R	
20	1	C8	4.7μF, 6.3V, X7R Ceramic	1206		Any
21	1	D1	RED	SML-LX1206IW-TR	67-1003-2-ND	Digikey
22	1	D2	GREEN	SML-LX1206GW-TR	67-1002-2-ND	Digikey
23	1	D3	DIODE ZENER 6.2V 500MW	SOD-123	BZT52C6V2-7-F	Digikey
24	1	Q1	60V, 1A NPN transistor	SOT-23	FMMT491TA	Zetex
25	10	General test points	TEST POINT	TEST POINT PC MULTI PURPOSE YEL	5014K-ND	Digikey
26	3	GND	TEST POINT	TEST POINT PC MULTI PURPOSE BLK	5011K-ND	Digikey
27	3	VIN, VBAT, VOUT	TEST POINT	TEST POINT PC MULTI PURPOSE RED	5010K-ND	Digikey
28	5	JP2, JP3, JP11, JP12, JP13	CON2	JUMPER	538-22-28-4020	Mouser
29	6	JP1, JP4, JP5, JP8, JP9, JP10	CON3	JUMPER	538-22-28-4020	Mouser
30	3	J1, J2, J3	CONN	CONN HEADER VERT 2POS 0.100 TIN	A1921-ND	Digikey

Notice

1. Descriptions of circuits, software and other related information in this document are provided only to illustrate the operation of semiconductor products and application examples. You are fully responsible for the incorporation or any other use of the circuits, software, and information in the design of your product or system. Renesas Electronics disclaims any and all liability for any losses and damages incurred by you or third parties arising from the use of these circuits, software, or information.
2. Renesas Electronics hereby expressly disclaims any warranties against and liability for infringement or any other claims involving patents, copyrights, or other intellectual property rights of third parties, by or arising from the use of Renesas Electronics products or technical information described in this document, including but not limited to, the product data, drawings, charts, programs, algorithms, and application examples.
3. No license, express, implied or otherwise, is granted hereby under any patents, copyrights or other intellectual property rights of Renesas Electronics or others.
4. You shall not alter, modify, copy, or reverse engineer any Renesas Electronics product, whether in whole or in part. Renesas Electronics disclaims any and all liability for any losses or damages incurred by you or third parties arising from such alteration, modification, copying or reverse engineering.
5. Renesas Electronics products are classified according to the following two quality grades: "Standard" and "High Quality". The intended applications for each Renesas Electronics product depends on the product's quality grade, as indicated below.
"Standard": Computers; office equipment; communications equipment; test and measurement equipment; audio and visual equipment; home electronic appliances; machine tools; personal electronic equipment; industrial robots; etc.
"High Quality": Transportation equipment (automobiles, trains, ships, etc.); traffic control (traffic lights); large-scale communication equipment; key financial terminal systems; safety control equipment; etc.
Unless expressly designated as a high reliability product or a product for harsh environments in a Renesas Electronics data sheet or other Renesas Electronics document, Renesas Electronics products are not intended or authorized for use in products or systems that may pose a direct threat to human life or bodily injury (artificial life support devices or systems; surgical implantations; etc.), or may cause serious property damage (space system; undersea repeaters; nuclear power control systems; aircraft control systems; key plant systems; military equipment; etc.). Renesas Electronics disclaims any and all liability for any damages or losses incurred by you or any third parties arising from the use of any Renesas Electronics product that is inconsistent with any Renesas Electronics data sheet, user's manual or other Renesas Electronics document.
6. When using Renesas Electronics products, refer to the latest product information (data sheets, user's manuals, application notes, "General Notes for Handling and Using Semiconductor Devices" in the reliability handbook, etc.), and ensure that usage conditions are within the ranges specified by Renesas Electronics with respect to maximum ratings, operating power supply voltage range, heat dissipation characteristics, installation, etc. Renesas Electronics disclaims any and all liability for any malfunctions, failure or accident arising out of the use of Renesas Electronics products outside of such specified ranges.
7. Although Renesas Electronics endeavors to improve the quality and reliability of Renesas Electronics products, semiconductor products have specific characteristics, such as the occurrence of failure at a certain rate and malfunctions under certain use conditions. Unless designated as a high reliability product or a product for harsh environments in a Renesas Electronics data sheet or other Renesas Electronics document, Renesas Electronics products are not subject to radiation resistance design. You are responsible for implementing safety measures to guard against the possibility of bodily injury, injury or damage caused by fire, and/or danger to the public in the event of a failure or malfunction of Renesas Electronics products, such as safety design for hardware and software, including but not limited to redundancy, fire control and malfunction prevention, appropriate treatment for aging degradation or any other appropriate measures. Because the evaluation of microcomputer software alone is very difficult and impractical, you are responsible for evaluating the safety of the final products or systems manufactured by you.
8. Please contact a Renesas Electronics sales office for details as to environmental matters such as the environmental compatibility of each Renesas Electronics product. You are responsible for carefully and sufficiently investigating applicable laws and regulations that regulate the inclusion or use of controlled substances, including without limitation, the EU RoHS Directive, and using Renesas Electronics products in compliance with all these applicable laws and regulations. Renesas Electronics disclaims any and all liability for damages or losses occurring as a result of your noncompliance with applicable laws and regulations.
9. Renesas Electronics products and technologies shall not be used for or incorporated into any products or systems whose manufacture, use, or sale is prohibited under any applicable domestic or foreign laws or regulations. You shall comply with any applicable export control laws and regulations promulgated and administered by the governments of any countries asserting jurisdiction over the parties or transactions.
10. It is the responsibility of the buyer or distributor of Renesas Electronics products, or any other party who distributes, disposes of, or otherwise sells or transfers the product to a third party, to notify such third party in advance of the contents and conditions set forth in this document.
11. This document shall not be reprinted, reproduced or duplicated in any form, in whole or in part, without prior written consent of Renesas Electronics.
12. Please contact a Renesas Electronics sales office if you have any questions regarding the information contained in this document or Renesas Electronics products.
(Note 1) "Renesas Electronics" as used in this document means Renesas Electronics Corporation and also includes its directly or indirectly controlled subsidiaries.
(Note 2) "Renesas Electronics product(s)" means any product developed or manufactured by or for Renesas Electronics.

(Rev.4.0-1 November 2017)



SALES OFFICES

Renesas Electronics Corporation

<http://www.renesas.com>

Refer to "<http://www.renesas.com/>" for the latest and detailed information.

Renesas Electronics America Inc.
1001 Murphy Ranch Road, Milpitas, CA 95035, U.S.A.
Tel: +1-408-432-8888, Fax: +1-408-434-5351

Renesas Electronics Canada Limited
9251 Yonge Street, Suite 8309 Richmond Hill, Ontario Canada L4C 9T3
Tel: +1-905-237-2004

Renesas Electronics Europe Limited
Dukes Meadow, Millboard Road, Bourne End, Buckinghamshire, SL8 5FH, U.K
Tel: +44-1628-651-700, Fax: +44-1628-651-804

Renesas Electronics Europe GmbH
Arcadiastrasse 10, 40472 Düsseldorf, Germany
Tel: +49-211-6503-0, Fax: +49-211-6503-1327

Renesas Electronics (China) Co., Ltd.
Room 1709 Quantum Plaza, No.27 ZhichunLu, Haidian District, Beijing, 100191 P. R. China
Tel: +86-10-8235-1155, Fax: +86-10-8235-7679

Renesas Electronics (Shanghai) Co., Ltd.
Unit 301, Tower A, Central Towers, 555 Langao Road, Putuo District, Shanghai, 200333 P. R. China
Tel: +86-21-2226-0888, Fax: +86-21-2226-0999

Renesas Electronics Hong Kong Limited
Unit 1601-1611, 16/F., Tower 2, Grand Century Place, 193 Prince Edward Road West, Mongkok, Kowloon, Hong Kong
Tel: +852-2265-6688, Fax: +852-2886-9022

Renesas Electronics Taiwan Co., Ltd.
13F, No. 363, Fu Shing North Road, Taipei 10543, Taiwan
Tel: +886-2-8175-9600, Fax: +886-2-8175-9670

Renesas Electronics Singapore Pte. Ltd.
80 Bendemeer Road, Unit #06-02 Hyflux Innovation Centre, Singapore 339949
Tel: +65-6213-0200, Fax: +65-6213-0300

Renesas Electronics Malaysia Sdn.Bhd.
Unit 1207, Block B, Menara Amcorp, Amcorp Trade Centre, No. 18, Jln Persiaran Barat, 46050 Petaling Jaya, Selangor Darul Ehsan, Malaysia
Tel: +60-3-7955-9390, Fax: +60-3-7955-9510

Renesas Electronics India Pvt. Ltd.
No.777C, 100 Feet Road, HAL 2nd Stage, Indiranagar, Bangalore 560 038, India
Tel: +91-80-67208700, Fax: +91-80-67208777

Renesas Electronics Korea Co., Ltd.
17F, KAMCO Yangjae Tower, 262, Gangnam-daero, Gangnam-gu, Seoul, 06265 Korea
Tel: +82-2-558-3737, Fax: +82-2-558-5338