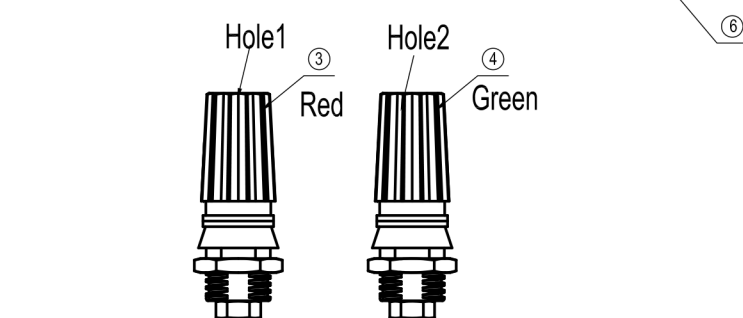
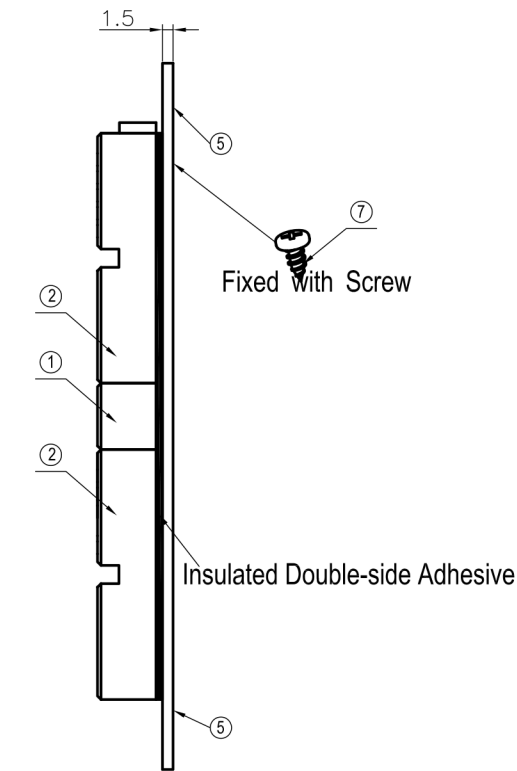
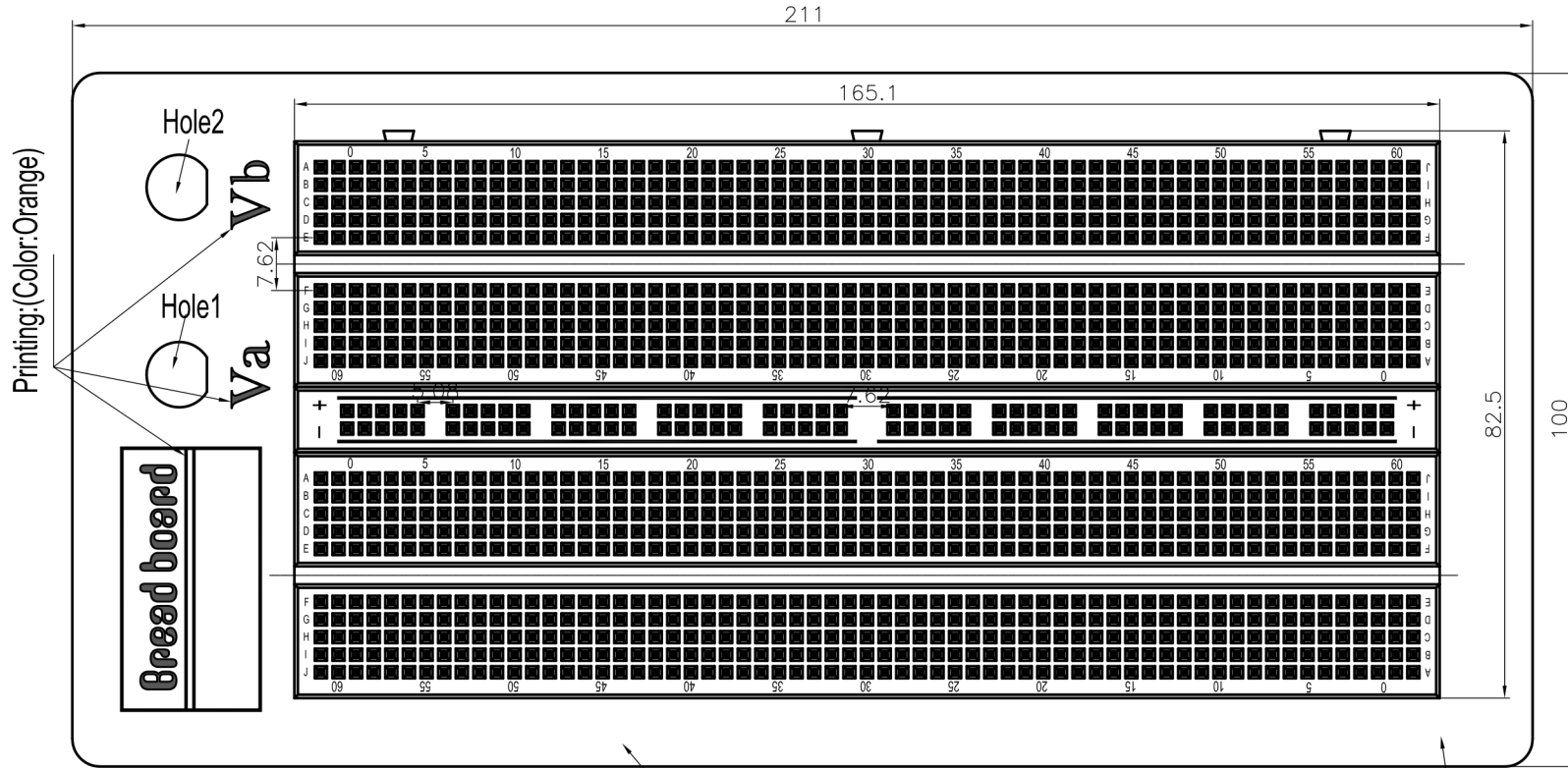


REVISION RECORD			
REV.	CONTENT	MOD.	DATE
△	New Publish		

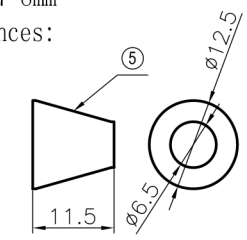


- Notes:
1. Pitch: 2.54mm
 2. Terminal Strips: 1260 Tie-point
 3. Distribution Strip: 100 Tie-point
 4. Rated voltage/current: 300V / 3-5A
 5. Insulation resistance: 500Ω/DC500V
 6. Withstanding voltage: AC1000V/1min
 7. Wire range: 29~20 AWG
 8. Temp. Range: -25° c~+80° c
Strip length: 7-8mm
 9. Undimensioned Tolerances:

Packing:skin packing

TOLERANCES EXCEPT AS NOTED

variable range	linear dimension				fillet	chamfer	short angle sid				≡	-	□	//	⊥	
	to	over	over	over			to	to	to	to						to
to 6	to 6	to 30	to 120	to 480	all	to 6	to 10	to 50	to 120	to 10'	all	to 5	to 30	to 120	to 120	
tolerance	±0.1	±0.2	±0.3	±0.5	±0.2	±0.5	±1	1'	30'	20'	10'	0.5	0.025	0.06	0.12	0.4



NO.	NAME OF PART	NO. OF PART	Q' TY	MATERIAL	NOTES
7	BB-ST2.6-Screw	SST0260010	6	Steel	Black Zn
6	BB-2T1D-Aluminum Plate	7008B00010	1	AL	Black paint
5	BB-Small Stepping	7007H00010	4	Rubber	UL94 V-2
4	BB-JXZ-45	700614501A	1		Green Binding Post
3	BB-JXZ-61	700616101A	1		Red Binding Post
2	BB-102-2	700219301A	2		Terminal Strips
1	BB-102-1	700119301A	1		Distribution Strip
DES. YYS DATE 09/03/11" UNITS mm FIRST ANGLE PROJECTION SHEET					
CHK. DATE SIZE A4					
APP. DATE SCALE 1:1 DWG NO. SP-2-7008001					
TITLE					BB-2T1D
					BB-2T1D(93 Off-White)