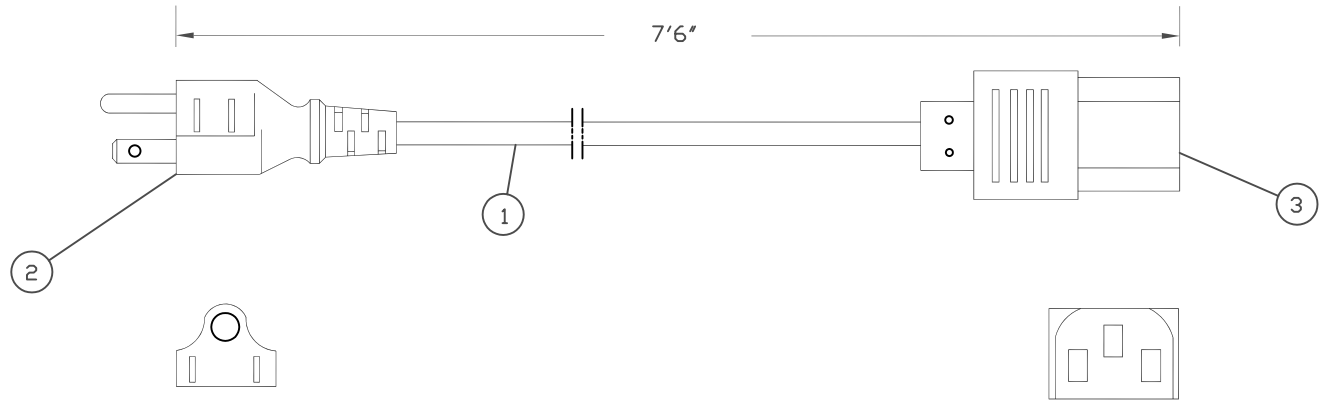




ALL RIGHTS RESERVED. NO PORTION OF THIS PUBLICATION, WHETHER IN WHOLE OR IN PART CAN BE REPRODUCED WITHOUT THE EXPRESS WRITTEN CONSENT OF SPC TECHNOLOGY.
SPC-F005.DWG

REVISIONS			DOC. NO. SPC-F005 * Effective: 7/8/02 * DCP No: 1398					
DCP #	REV	DESCRIPTION	DRAWN	DATE	CHECKD	DATE	APPRVD	DATE
XX	XX	XXXX	XXXX	22-7-08	XXXX	22-7-08	XXXX	22-7-08
XXXX	XXXX		XXXX	22-7-08	XXXX	22-7-08	XXXX	22-7-08



NOTES:

1. CORDAGE: SJT, 16AWG/3C, UNSHIELDED
NO COLOR CODE,TEMP.RATING 60°C,
RATING: 125V 13A,JACKET COLOR: BLACK
2. PLUG: NEMA5-15P
3. CONNECTOR: IEC60320C-13
4. APPROVALS: UL,cUL
5. ROHS COMPLIANT



DISCLAIMER:
ALL STATEMENTS AND TECHNICAL INFORMATION CONTAINED HEREIN ARE BASED UPON INFORMATION AND/OR TESTS WE BELIEVE TO BE ACCURATE AND RELIABLE. SINCE CONDITIONS OF USE ARE BEYOND OUR CONTROL, THE USER SHALL DETERMINE THE SUITABILITY OF THE PRODUCT FOR THE INTENDED USE AND ASSUME ALL RISK AND LIABILITY WHATSOEVER IN CONNECTION THEREWITH.

TOLERANCES:
UNLESS OTHERWISE SPECIFIED, DIMENSIONS ARE FOR REFERENCE PURPOSES ONLY.

DRAWN BY:	DATE:
XXXX	22-7-08
CHECKED BY:	DATE:
XXXX	22-7-08
APPROVED BY:	DATE:
XXXX	22-7-08

DRAWING TITLE: POWER CORD			
SIZE A	DWG. NO. SPC13262	ELECTRONIC FILE 11J3542.dwg	REV XX
SCALE: NTS	U.O.M.: INCHES [mm]	SHEET: 1 OF 1	