

Power Cord - CEE 7/7 Plug to IEC 60320 C7 Connector

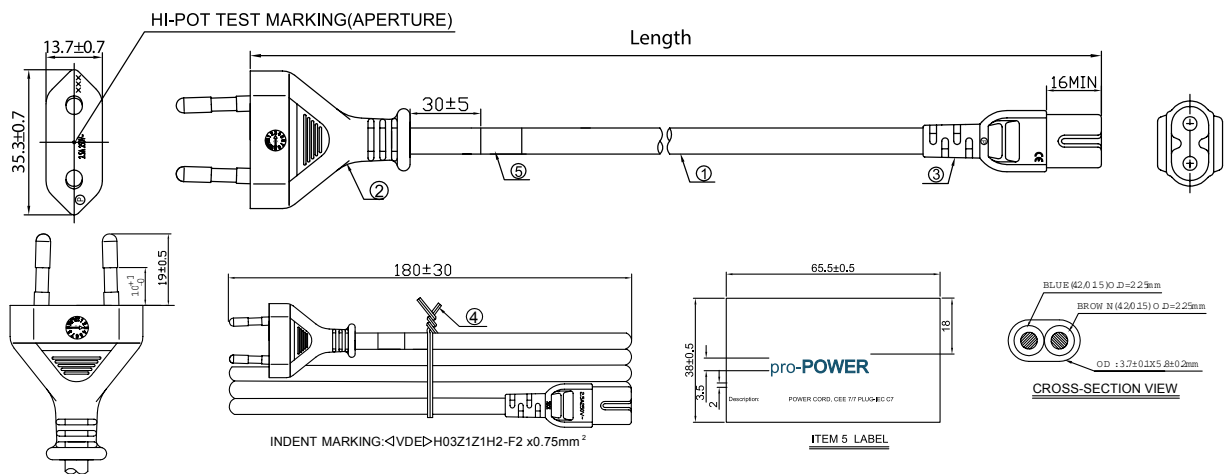
pro-POWER

RoHS
Compliant

Specifications

Cable Length	: 1m / 2m / 3m
Plug Type	: CEE 7/7 Plug: 2.5A / 250V
Connector Type	: IEC 60320 C7 Receptacle: 2.5A / 250V
Cord Type	: H03Z1Z1H2-F
Conductor Size	: 0.75mm ²
Number of Conductors	: 2
Jacket Colour	: Black

Diagram



Dimensions : Millimetres

No.	Description
1	H03Z1Z1H2-F, 0.75mm ² × 2C Black
2	Molded Plug
3	Molded Connector

No.	Description
4	Mini Tie
5	Label

Notes

- The cord complies with IEC 60227
- The molded plug complies with EN 50075
- The product is tested 100% for all safety electrical items
- This product is free of PVC and Halogen

Part Number Table

Description	Length	Part Number
Power Cord, CEE 7/7 Plug to IEC 60320 C7 Receptacle, H03Z1Z1H2-F 0.75mm ² × 2C, Black	1m	GW-85019
	2m	GW-85020
	3m	GW-85021

Important Notice : This data sheet and its contents (the "Information") belong to the members of the Premier Farnell group of companies (the "Group") or are licensed to it. No licence is granted for the use of it other than for information purposes in connection with the products to which it relates. No licence of any intellectual property rights is granted. The Information is subject to change without notice and replaces all data sheets previously supplied. The Information supplied is believed to be accurate but the Group assumes no responsibility for its accuracy or completeness, any error in or omission from it or for any use made of it. Users of this data sheet should check for themselves the Information and the suitability of the products for their purpose and not make any assumptions based on information included or omitted. Liability for loss or damage resulting from any reliance on the Information or use of it (including liability resulting from negligence or where the Group was aware of the possibility of such loss or damage arising) is excluded. This will not operate to limit or restrict the Group's liability for death or personal injury resulting from its negligence. pro-POWER is the registered trademark of the Group. © Premier Farnell Limited 2016.

www.element14.com
www.farnell.com
www.newark.com
www.ppc.co.uk

pro-POWER