

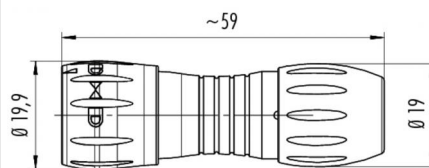
Product description **Contacts: 8, cable plug connector, cable outlet 6 - 8 mm**

Area **Bayonet NCC Series 770 MED**  
Order number **99 0771 402 08**

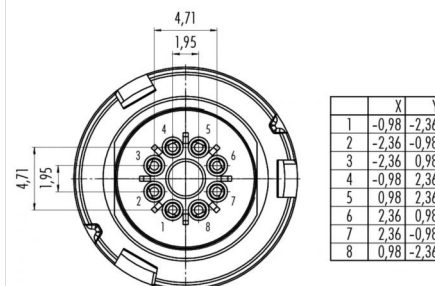
### Illustration



### Scale drawing



### Contact arrangement



You can find the component part drawing and assembly instructions on the next page.

## Technical data

### General values

Connector design	cable connector
Connector locking system	Bayonet
Termination	solder
Wire gauge (mm)	0,25 mm <sup>2</sup>
Wire gauge (AWG)	max. 24
Cable outlet	6,0 - 8,0 mm
Upper limit temperature	85 °C
Lower limit temperature	-25 °C

### Electrical values

Rated current (40 °C)	2 A
Rated voltage	175 V
Rated impulse voltage	1750 V
Pollution degree	2
Overvoltage category	II
Insulating material group	II
Volume resistivity	≤ 15 mΩ
Degree of protection	IP67

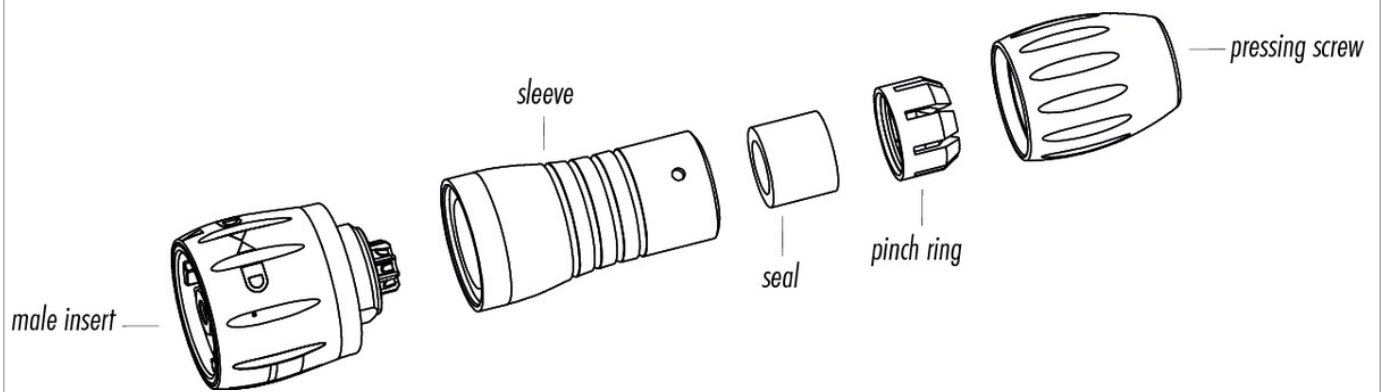
### Material

Contact material	CuZn (brass)
Contact plating	Au (gold)
Contact body material	PA (UL 94 HB)
Housing material	PA

Product description **Contacts: 8, cable plug connector, cable outlet 6 - 8 mm**

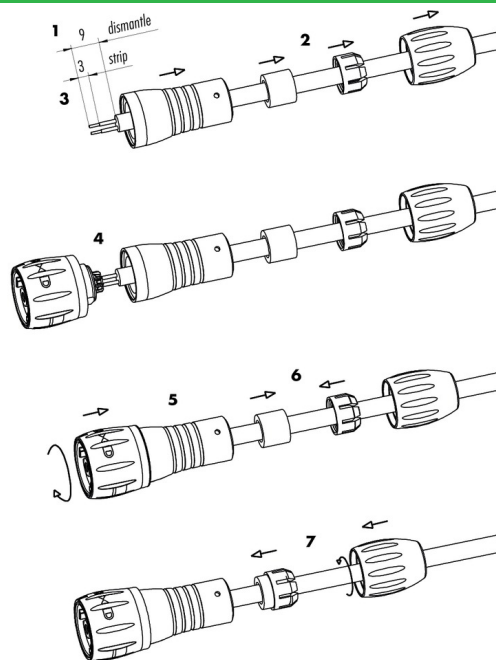
Area **Bayonet NCC Series 770 MED**  
 Order number **99 0771 402 08**

Component part drawing



Assembly instructions / Panel cut-out

1. Strip to 9mm length and take off the cable jacket.
2. Bead pressing screw, pinch ring, seal and distance sleeve to cable.
3. Strip the insulation off the wires (L = 3mm) and tin them.
4. Solder inserts.
5. Put bayonet adapter to the thread of the distance sleeve and screw it with slight pressure in the direction of the arrow.
6. Push pinch ring over sealing ring to block.
7. Push pressing screw together with clamp-sealing unit towards distance sleeve and screw tightly.



Product description      **Contacts: 8, cable plug connector, cable outlet 6 - 8 mm**

Area      **Bayonet NCC Series 770 MED**  
Order number      **99 0771 402 08**

## Security notices

The connector must not be connected or separated under load. Non-observance and incorrect use can result in personal injury.

The connectors are designed for use in plant, control system and electrical equipment. The end user is responsible for checking whether the connectors are suitable for use in other applications.

Connectors used in electrical circuits containing hazardous life parts must only be assembled and used by or under the supervision of persons with the requisite electrotechnical training, taking the applicable regulations and standards into account.