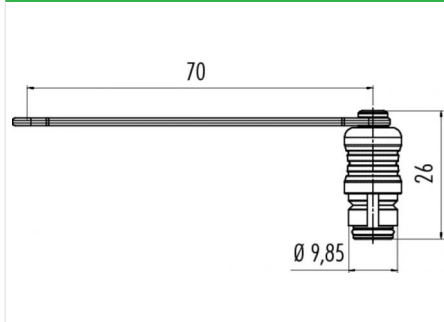


Product description **Protection cap for male panel mount connector**
 Order number **08 2839 000 000**

Illustration



Scale drawing



Technical data

Degree of protection IP67

Matching products

- 99 9207 00 03 - Male panel mount connector black
- 99 9211 00 04 - Male panel mount connector black
- 99 9215 00 05 - Male panel mount connector black
- 99 9227 00 08 - Male panel mount connector black
- 99 9207 050 03 - Male panel mount connector, red
- 99 9211 050 04 - Male panel mount connector, red
- 99 9215 050 05 - Male panel mount connector, red
- 99 9227 050 08 - Male panel mount connector, red
- 99 9207 060 03 - Male panel mount connector, blue
- 99 9211 060 04 - Male panel mount connector, blue
- 99 9215 060 05 - Male panel mount connector, blue
- 99 9227 060 08 - Male panel mount connector, blue
- 99 9207 070 03 - Male panel mount connector, green
- 99 9211 070 04 - Male panel mount connector, green
- 99 9215 070 05 - Male panel mount connector, green
- 99 9227 070 08 - Male panel mount connector, green
- 99 9207 090 03 - Male panel mount connector, dip-solder
- 99 9211 090 04 - Male panel mount connector, dip-solder
- 99 9215 090 05 - Male panel mount connector, dip-solder
- 99 9227 090 08 - Male panel mount connector, dip-solder
- 99 9207 400 03 - Male panel mount connector black
- 99 9211 400 04 - Male panel mount connector black
- 99 9215 400 05 - Male panel mount connector black
- 99 9227 400 08 - Male panel mount connector black
- 99 9207 050 03 - Male panel mount connector, red
- 99 9211 050 04 - Male panel mount connector, red
- 99 9215 050 05 - Male panel mount connector, red
- 99 9227 050 08 - Male panel mount connector, red
- 99 9207 060 03 - Male panel mount connector, blue
- 99 9211 060 04 - Male panel mount connector, blue
- 99 9215 060 05 - Male panel mount connector, blue
- 99 9227 060 08 - Male panel mount connector, blue
- 99 9207 070 03 - Male panel mount connector, green
- 99 9211 070 04 - Male panel mount connector, green

Product description	Protection cap for male panel mount connector
Order number	08 2839 000 000

99 9215 070 05 - Male panel mount connector, green
99 9227 070 08 - Male panel mount connector, green
99 9207 490 03 - Male panel mount connector, dip-solder
99 9211 490 04 - Male panel mount connector, dip-solder
99 9215 490 05 - Male panel mount connector, dip-solder
99 9227 490 08 - Male panel mount connector, dip-solder
99 9208 400 03 - Female panel mount connector, lightgrey, solder
99 9212 400 04 - Female panel mount connector, lightgrey, solder
99 9216 400 05 - Female panel mount connector, lightgrey, solder
99 9228 400 08 - Female panel mount connector, lightgrey, solder