

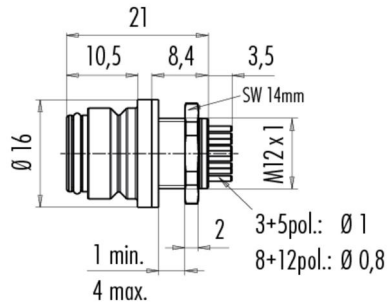
Product description **Contacts: 12, female panel mount connector, lightgrey, dip-solder termination**

Area **Snap-in IP67, miniature Series 720 MED**
Order number **99 9136 490 12**

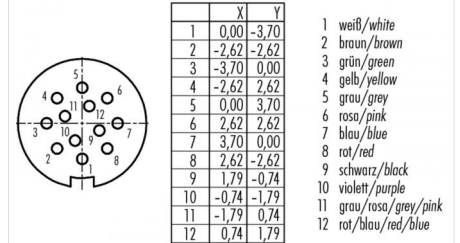
Illustration



Scale drawing



Contact arrangement



You can find the component part drawing and assembly instructions on the next page.

Technical data

General values

Connector design	female panel mount connector
Connector locking system	snap
Termination	dip-solder
Wire gauge (mm)	0,25 mm ²
Wire gauge (AWG)	24
Upper limit temperature	85 °C
Lower limit temperature	-25 °C

Electrical values

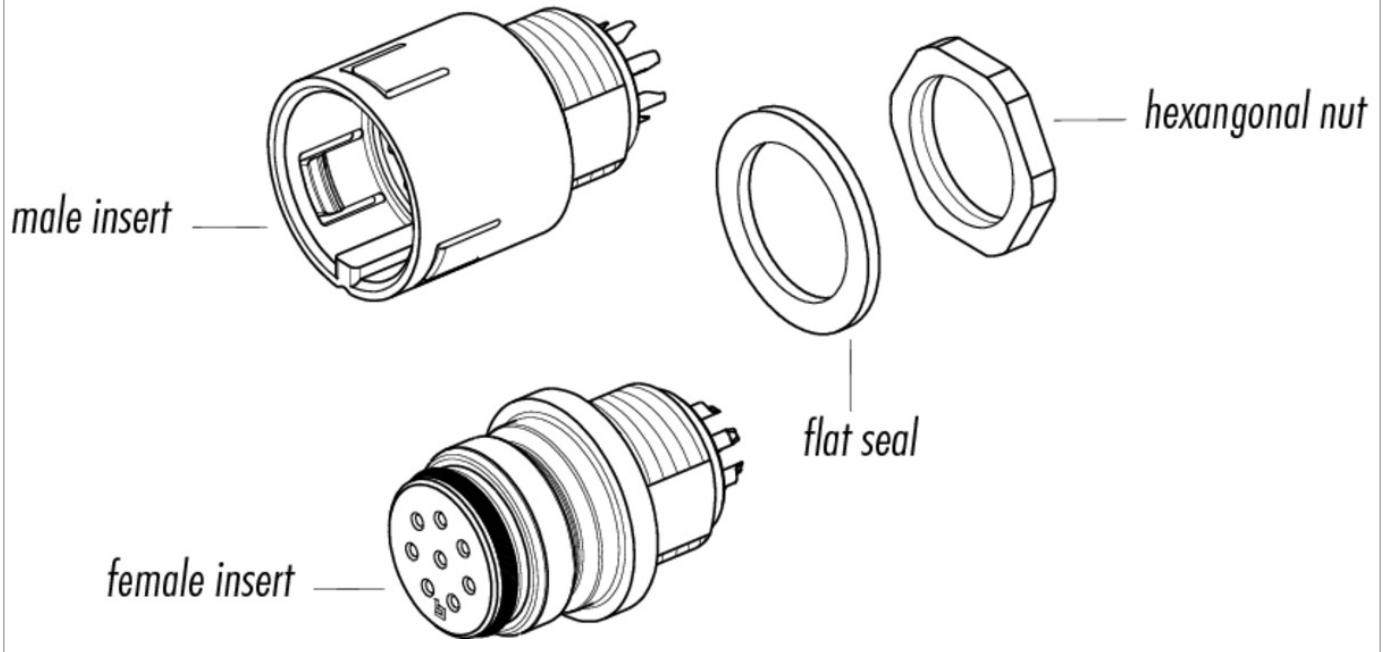
Rated current (40 °C)	2 A
Rated voltage	60 V
Rated impulse voltage	800 V
Pollution degree	2
Overvoltage category	II
Insulating material group	II
Volume resistivity	≤ 3 mΩ
Insulation resistance	≥ 10 ¹⁰ Ω
EMC compliance	not shielded
Degree of protection	IP67
Mechanical operation	> 500 Mating cycles

Material

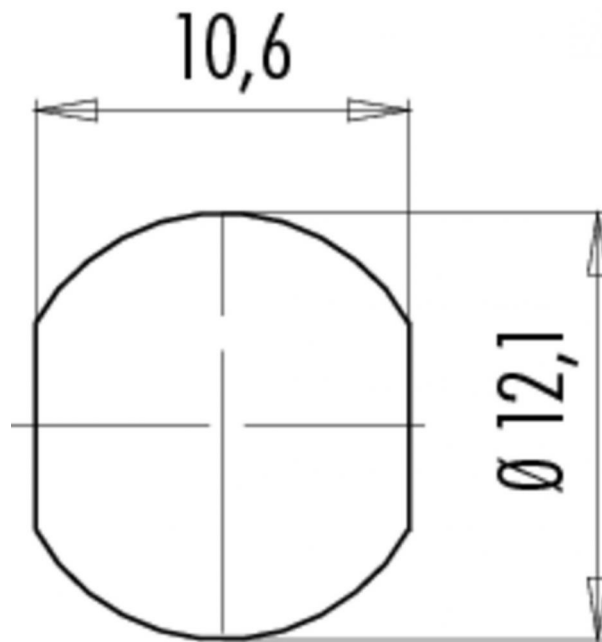
Contact material	CuZn (brass)
Contact plating	Au (gold)
Contact body material	PA (UL 94 V-0)
Housing material	PA

Product description **Contacts: 12, female panel mount connector, lightgrey, dip-solder termination**
Area **Snap-in IP67, miniature Series 720 MED**
Order number **99 9136 490 12**

Component part drawing



Assembly instructions / Panel cut-out



Product description	Contacts: 12, female panel mount connector, lightgrey, dip-solder termination
Area	Snap-in IP67, miniature Series 720 MED
Order number	99 9136 490 12

Security notices

The connectors are designed for use in plant, control system and electrical equipment. The end user is responsible for checking whether the connectors are suitable for use in other applications. Connectors with degree of protection IP 67 and IP 68 are not suitable for use under water. When used outdoors, the connectors must be separately protected against corrosion. For further information about IP degrees of protection refer to 'Technical support' in the Download Centre.