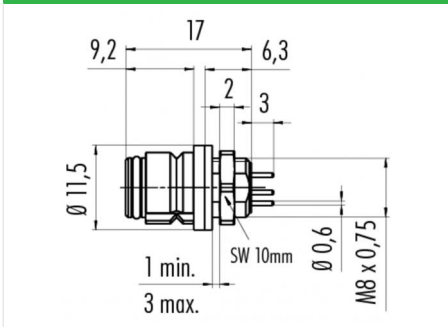


Product description	<b>Contacts: 8, female panel mount connector</b>
Area	<b>Snap-in IP67, subminiature Series 620 MED</b>
Order number	<b>99 9228 490 08</b>

**Illustration**



**Scale drawing**



**Contact arrangement**

	X	Y
1	-0,96	-1,98
2	-2,15	-0,49
3	-1,72	1,37
4	0,00	2,20
5	1,72	1,37
6	2,15	-0,49
7	0,96	-1,98
8	0,00	0,00

**You can find the component part drawing and assembly instructions on the next page.**

**Technical data**

**General values**

Connector design	female panel mount connector
Connector locking system	snap
Termination	dip-solder
Upper limit temperature	85 °C
Lower limit temperature	-25 °C

**Electrical values**

Rated current (40 °C)	1 A
Rated voltage	63 V
Rated impulse voltage	800 V
Pollution degree	2
Overvoltage category	II
Insulating material group	II
Volume resistivity	≤ 3 mΩ
Insulation resistance	≥ 10 <sup>10</sup> Ω
EMC compliance	Shielding is not possible
Degree of protection	IP67

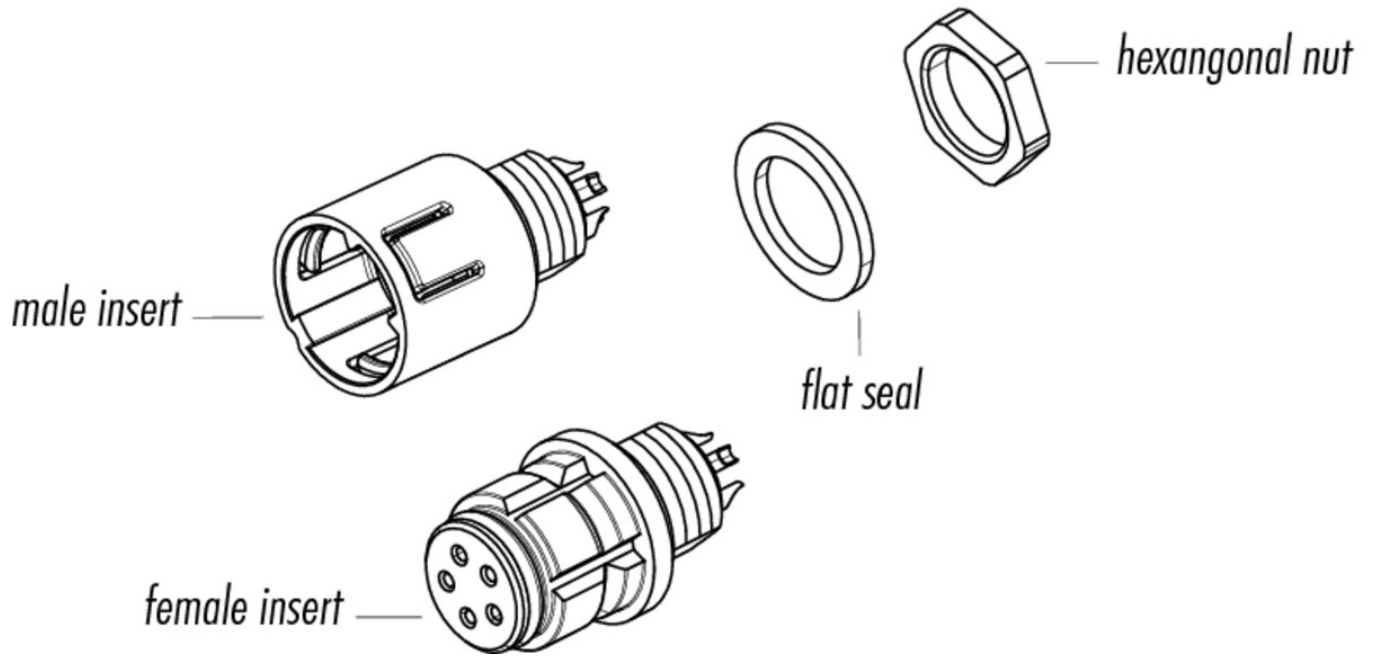
**Material**

Contact material	CuSn (bronze)
Contact plating	Au (gold)
Contact body material	PA (UL 94 V-0)
Housing material	PA

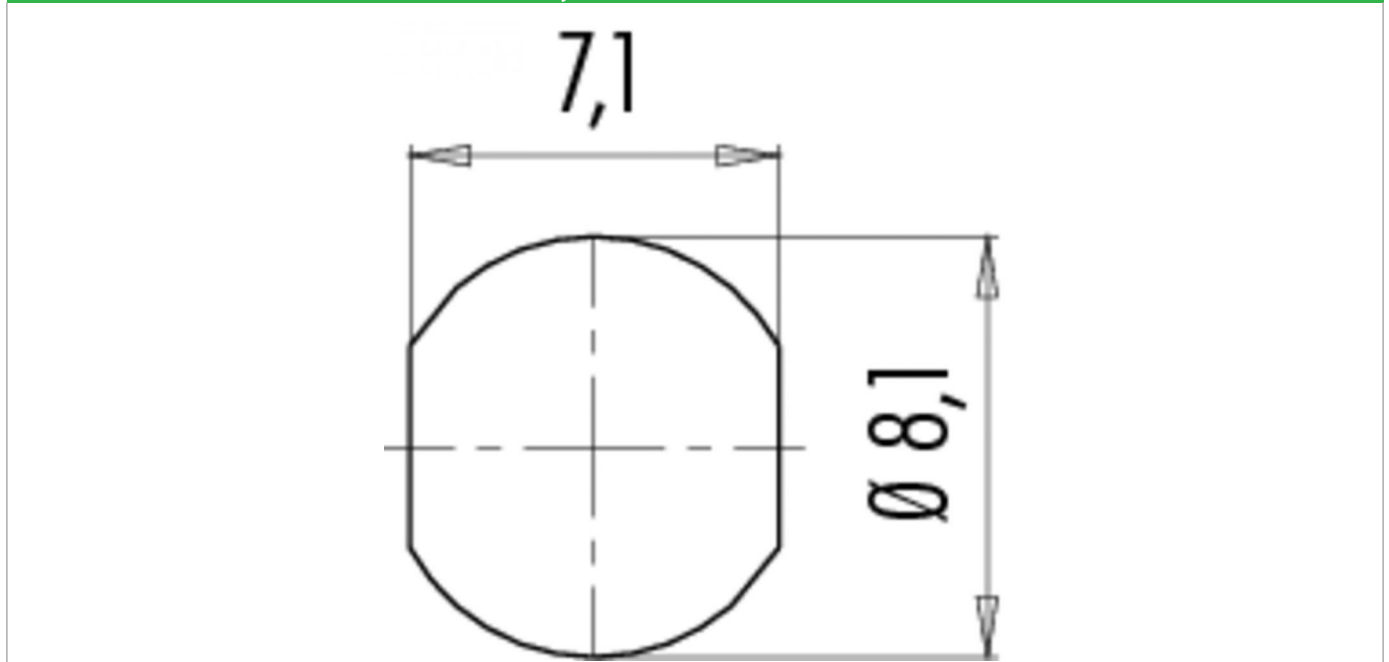
Product description      **Contacts: 8, female panel mount connector**

Area                              **Snap-in IP67, subminiature Series 620 MED**  
Order number                 **99 9228 490 08**

Component part drawing



Assembly instructions / Panel cut-out



Product description	<b>Contacts: 8, female panel mount connector</b>
Area	<b>Snap-in IP67, subminiature Series 620 MED</b>
Order number	<b>99 9228 490 08</b>

## Security notices

The connectors are designed for use in plant, control system and electrical equipment. The end user is responsible for checking whether the connectors are suitable for use in other applications. Connectors with degree of protection IP 67 and IP 68 are not suitable for use under water. When used outdoors, the connectors must be separately protected against corrosion. For further information about IP degrees of protection refer to 'Technical support' in the Download Centre.