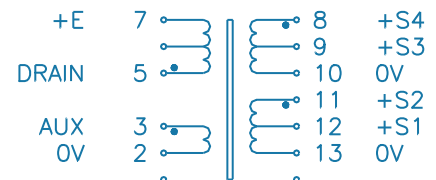
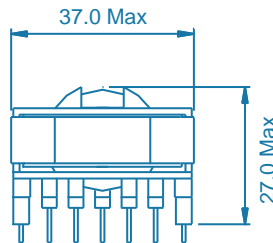
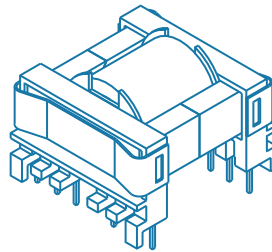
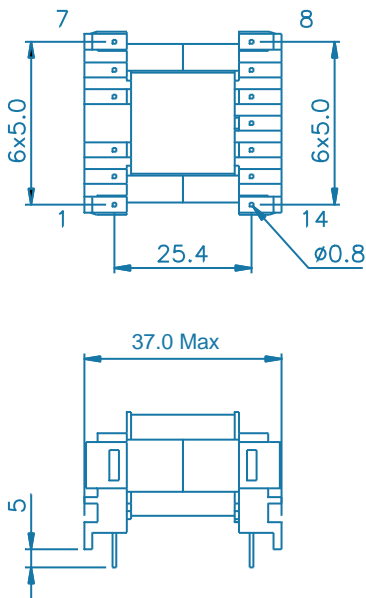


Type <b>FLYBACK</b>	Size <b>ETD29</b>	Output <b>5 + 12 and 5 + 12 V</b>	MYRRA P/N <b>74040</b>
------------------------	----------------------	--------------------------------------	---------------------------

Product designation

## FLYBACK TRANSFORMER - ETD29 - 2 x (5 + 12 V) - 60 W

### MECHANICAL CHARACTERISTICS - PINOUT



Pin 4 removed  
Recommended PCB drilling diameter : 1.3 mm

### ELECTRICAL CHARACTERISTICS

MYRRA P/N	Maximum output power	Windings					
			Pins	Turns	Voltage	Maximum current	Inductance (+/- 10%)
74040	60 w	P	5 - 7	50	85 - 265 V <sub>rms</sub>	3.0 A <sub>pk</sub>	0.50 mH
		Aux.	3 - 2	6	7.0 - 14.5 V <sub>DC</sub>	1.0 A <sub>DC</sub>	
		S1	12 - 13	3	3.3 - 7.0 V <sub>DC</sub>	4.0 A <sub>DC</sub>	
		S2	11 - 13	7	8.0 - 16.5 V <sub>DC</sub>	2.5 A <sub>DC</sub>	
		S3	9 - 10	3	3.3 - 7.0 V <sub>DC</sub>	4.0 A <sub>DC</sub>	
		S4	8 - 10	7	8.0 - 16.5 V <sub>DC</sub>	2.5 A <sub>DC</sub>	
	Typical uses	Outputs		Connections of the windings			
		5.0 V - 5.0 A + 12.0 V - 3.0 A 5.0 + 12.0 + 17.0 + 24.0 V		S1 + S2 and S3 + S4 in parallel S1 to S4 in series (pins 10 and 11 linked)			

### REMARKS

RoHS compliant

UL94 V-0 materials

Class B

Ambient temperature: 50 °C max.

P / S :

Creepage distances ≥ 8.0 mm

4.0 kV dielectric test

Construction conforms to IEC60950, IEC60335 and IEC61558-2-16 for reinforced isolation