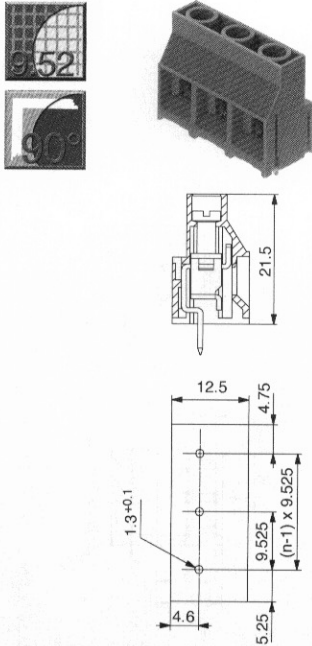


LL 9.52/90

**new**

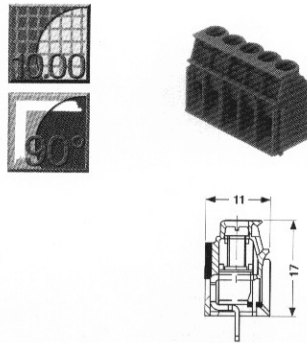


Technical data	VDE	UL	CSA
Rated voltage (V)	630*	300	300
Rated current (A)	32	30	10
Wire size (mm <sup>2</sup> /AWG)	4.0	26...10	10

\*Pollution severity 3 / Overvoltage category III  
Additional technical data see page 62

Solder pin length      5.0 mm      5.0 mm

Color		●		●	
Poles	Type	Part No.	Part No.	Qty.	
2	LL 9.5/2/90	1724680000	1724700000	50	
3	LL 9.5/3/90	1724690000	1724710000	50	



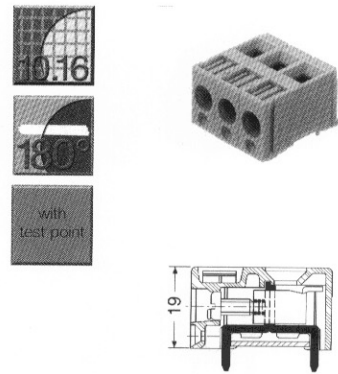
LP 10.00/90

Technical data	VDE	UL	CSA
Rated voltage (V)	630*	300	300
Rated current (A)	26	15	20
Wire size (mm <sup>2</sup> /AWG)	4.0	26...12	12

\*Pollution severity 3 / Overvoltage category III  
Additional technical data see page 60

Solder pin length      3.2 mm

Color		●	
Poles	Type	Part No.	Qty.
2	LP 10.00/2/90	1693650000	50
3	LP 10.00/3/90	1693660000	50
4	LP 10.00/4/90	1692700000	50



GSE 10/180

Technical data	VDE	UL	CSA
Rated voltage (V)	500*	150	300
Rated current (A)	59	40	40
Wire size (mm <sup>2</sup> /AWG)	10.0	22...8	8

\*Pollution severity 3 / Overvoltage category III  
Additional technical data see page 64

Solder pin length      4.5 mm

Color		●	
Poles	Type	Part No.	Qty.
2	GSE 10/2/180	995414	
3	GSE 10/3/180	047890	
4	GSE 10/4/180	995415	
5	GSE 10/5/180	995836	
6	GSE 10/6/180	995416	
7	GSE 10/7/180	995837	
8	GSE 10/8/180	995417	
9	GSE 10/9/180	995838	
10	GSE 10/10/180	995418	

Accessories	Page
Marking	42
Mounting	-
Miscellaneous	-

Accessories	Page
Marking	40
Mounting	46
Miscellaneous	45

Accessories	Page
Marking	40, 42
Mounting	-
Miscellaneous	45