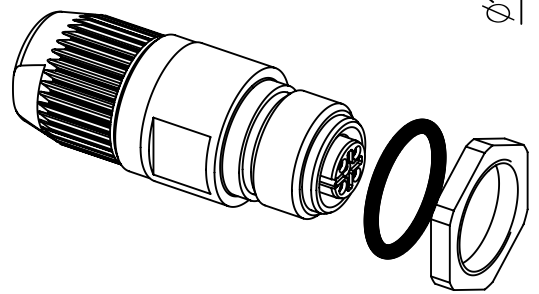
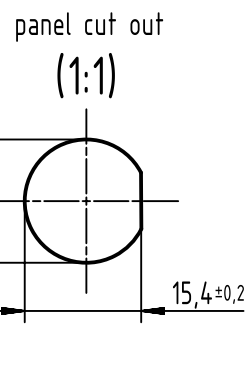
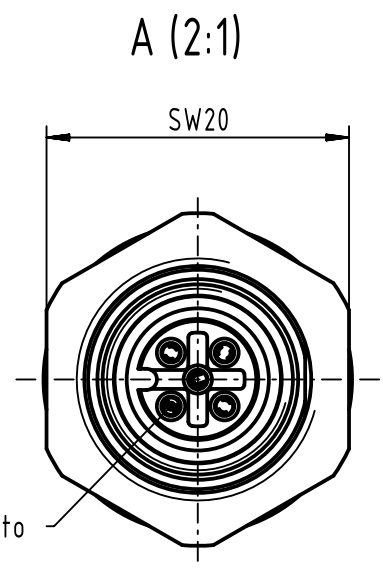
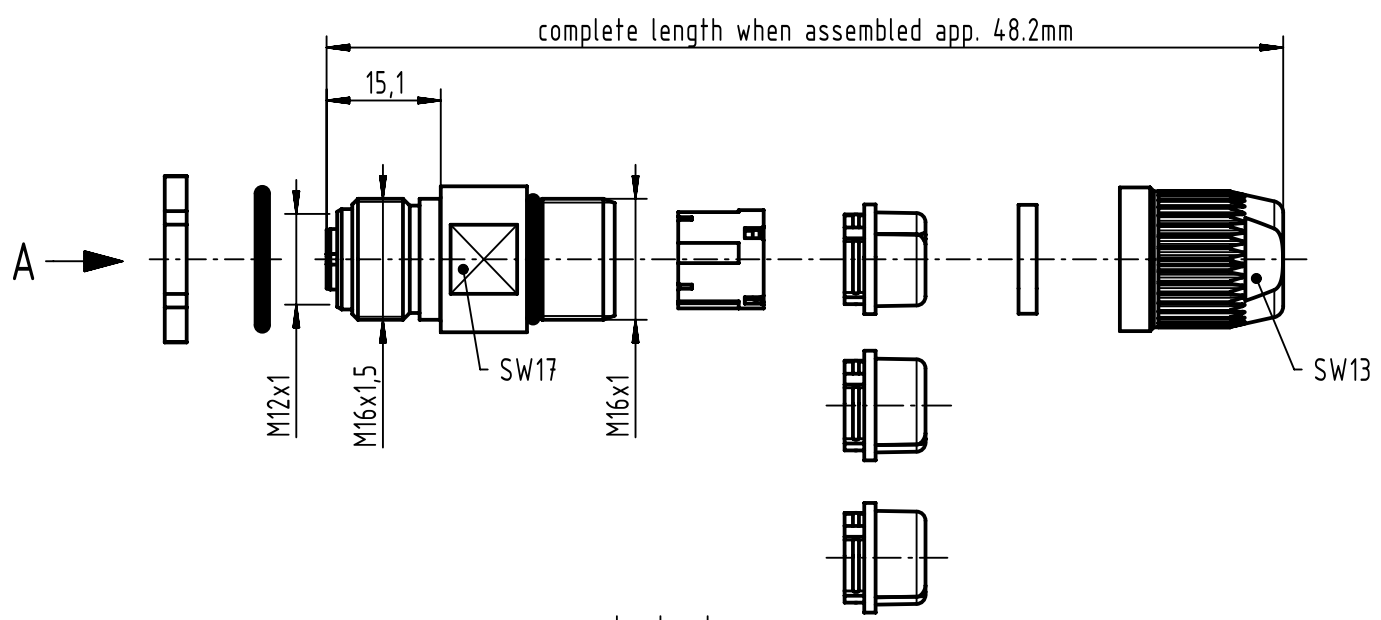


1 2 3 4 5 6

A
B
C
D



cable Ø			conductor cross section
5.5-7.2mm	4.5-5.4mm	7.0-8.8mm	
sealing			0.14 - 0.34mm ² AWG26-AWG22
black	transparent	beige	

	All Dimensions in mm Original Size DIN A4		Scale 1:1	Free size tol.		Ref. Sub. TB 21 03 321 2425 / Mod.EC02795 / 28.01.2011	
	All rights reserved Department EC PD - DE		Created by HELLMANN	Inspected by EISFELD	Standardisation HOFFMANN	Date 2016-02-25	State Final Release
HARTING Electronics GmbH D-32339 Espelkamp		Title HARTING M12 IDC A-coded 4 pole female				Doc-Key / ECM-Nr. 100182123/UGD/004/D 500000100329	
		Type TB	Number 21033212425			Rev. D	Page 1/1