

Amphenol

Telecom Solutions

N-Type High Power RF Connector

Electrical	Materials	Environmental
Impedance – 50 Ω	Body – Brass (Spec: C3602)	Temp. range – -65°C thru 165°C
Frequency range – 1 MHz - 11 GHz	Finish – Silver or White Bronze	Shock – Consult Rep.
Voltage – 1400 VRMS max sea level	<u>Contacts/Finish</u>	Humidity – Consult Rep.
Dielectric withstand – 2500 VRMS max sea level	Centre MALE – Brass (Spec: C3602)	Vibration – Consult Rep.
VSWR – 1.1 max (3 GHz)	Centre FEMALE – Cubez (Spec: Qbe2)	Corrosion – Consult Rep.
Resistance Inner – 0.8 mΩ max	– Bronze (Spec: QSn6.5)	Related Information
Outer – 0.2 mΩ max	Insulator – PTFE	Cable – Section D
Insulator – 5000 MΩ min	Spring Ring – Heat Treated	Hand Tools – Section F
3 rd Order IM – Typical -125 dBm (-168 dBc)	Gasket – Silicone Rubber	Termination Instr. – Section G
	Crimp Ferrules – Annealed Copper/Silver	Terminology – Section J
	Mechanical	
	Unter Rententivity – > 0.6N	
	Hardness – > 500 Times for drawing	

N-Type High Power RF Plugs


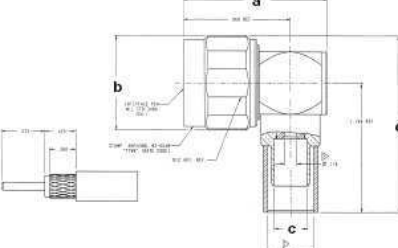
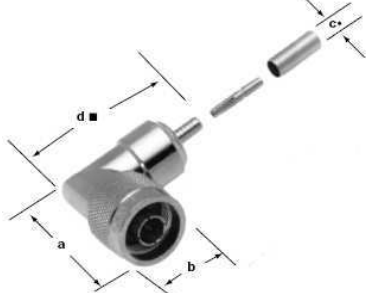
<p>Termination Instruction C Pin2Pin Ferrule</p> <p>N1121A1NT3Gxxx50</p>	<p>Termination Instruction E Crimp/Crimp Straight Plug for Captive Contact</p> <p>N1121A1NT3Gxxx50</p>	<p>Termination Instruction H Clamp/Solder Straight Plug – Captive Contact</p> <p>N1141A1NT3Gxxx50</p>																		
<table border="1"> <thead> <tr> <th>Part Number:</th> <th>Description:</th> </tr> </thead> <tbody> <tr> <td>82-6091-RFX</td> <td>Crimp/Solder Straight Plug for Pin2Pin Contact. For RG/U 174/188/316 Cable.</td> </tr> </tbody> </table>	Part Number:	Description:	82-6091-RFX	Crimp/Solder Straight Plug for Pin2Pin Contact. For RG/U 174/188/316 Cable.	<table border="1"> <thead> <tr> <th>Part Number:</th> <th>Description:</th> </tr> </thead> <tbody> <tr> <td>82-5380-RFX</td> <td>For RG/U 59/62 Cable.</td> </tr> <tr> <td>82-5375-RFX</td> <td>For RG/U 58/141 Cable.</td> </tr> <tr> <td>82-442611RFX</td> <td>For RG/U 8/213 Cable.</td> </tr> </tbody> </table>	Part Number:	Description:	82-5380-RFX	For RG/U 59/62 Cable.	82-5375-RFX	For RG/U 58/141 Cable.	82-442611RFX	For RG/U 8/213 Cable.	<table border="1"> <thead> <tr> <th>Part Number:</th> <th>Description:</th> </tr> </thead> <tbody> <tr> <td>34525-RFX</td> <td>For RG/U 59/62 Cable.</td> </tr> <tr> <td>34025-RFX</td> <td>For RG/U 58/141 Cable.</td> </tr> </tbody> </table>	Part Number:	Description:	34525-RFX	For RG/U 59/62 Cable.	34025-RFX	For RG/U 58/141 Cable.
Part Number:	Description:																			
82-6091-RFX	Crimp/Solder Straight Plug for Pin2Pin Contact. For RG/U 174/188/316 Cable.																			
Part Number:	Description:																			
82-5380-RFX	For RG/U 59/62 Cable.																			
82-5375-RFX	For RG/U 58/141 Cable.																			
82-442611RFX	For RG/U 8/213 Cable.																			
Part Number:	Description:																			
34525-RFX	For RG/U 59/62 Cable.																			
34025-RFX	For RG/U 58/141 Cable.																			
<p>Termination Instruction H</p> <p>N1141A1NT3Gxxx50</p>	<p>Termination Instruction E Dim: A: 35.5mm, B: 21mm, C: 11.1mm, D: 49.5mm</p>	<p>Termination Instruction U Solder Straight Plug for Semi-Rigid</p> <p>N1181B13GNT3Gxxx50</p>																		
<table border="1"> <thead> <tr> <th>Part Number:</th> <th>Description:</th> </tr> </thead> <tbody> <tr> <td>82-202-RFX</td> <td>Clamp/Solder Straight Plug – Captive Contact. For RG/U 8/213/214 Cable.</td> </tr> </tbody> </table>	Part Number:	Description:	82-202-RFX	Clamp/Solder Straight Plug – Captive Contact. For RG/U 8/213/214 Cable.	<table border="1"> <thead> <tr> <th>Part Number:</th> <th>Description:</th> </tr> </thead> <tbody> <tr> <td>82-4440-RFX</td> <td>Crimp/Crimp Right Angle Plug. For RG/U 8/213/214/225/393 Cable.</td> </tr> </tbody> </table>	Part Number:	Description:	82-4440-RFX	Crimp/Crimp Right Angle Plug. For RG/U 8/213/214/225/393 Cable.	<table border="1"> <thead> <tr> <th>Part Number:</th> <th>Description:</th> </tr> </thead> <tbody> <tr> <td>82-5956-RFX</td> <td>For .085 Cable. A:2.2 B:3.0</td> </tr> <tr> <td>82-5955-RFX</td> <td>For .141 Cable. A:3.6 B:4.6</td> </tr> </tbody> </table>	Part Number:	Description:	82-5956-RFX	For .085 Cable. A:2.2 B:3.0	82-5955-RFX	For .141 Cable. A:3.6 B:4.6				
Part Number:	Description:																			
82-202-RFX	Clamp/Solder Straight Plug – Captive Contact. For RG/U 8/213/214 Cable.																			
Part Number:	Description:																			
82-4440-RFX	Crimp/Crimp Right Angle Plug. For RG/U 8/213/214/225/393 Cable.																			
Part Number:	Description:																			
82-5956-RFX	For .085 Cable. A:2.2 B:3.0																			
82-5955-RFX	For .141 Cable. A:3.6 B:4.6																			
<p>Termination Instruction E Dim: A: 29.8mm, B: 21mm, C: 5.6mm</p>	<p>Termination Instruction E Dim: A: 36.5mm, B: 21mm, C: 6.6mm, D: 27.2mm Crimp/Crimp Right Angle Plug</p>	<p>Termination Instruction E Dim: A: 37.7mm, B: 21mm, C: 10.6mm</p>																		
<table border="1"> <thead> <tr> <th>Part Number:</th> <th>Description:</th> </tr> </thead> <tbody> <tr> <td>82-6152-RFX</td> <td>Crimp/Crimp Straight Plug. For LMR240, TWB2401 Cable.</td> </tr> </tbody> </table>	Part Number:	Description:	82-6152-RFX	Crimp/Crimp Straight Plug. For LMR240, TWB2401 Cable.	<table border="1"> <thead> <tr> <th>Part Number:</th> <th>Description:</th> </tr> </thead> <tbody> <tr> <td>82-6157-RFX</td> <td>For LMR240, TWB2401 Cable. Nickel Body.</td> </tr> <tr> <td>82-6166-RFX</td> <td>For LMR240, TWB2401 Cable. Silver Body</td> </tr> </tbody> </table>	Part Number:	Description:	82-6157-RFX	For LMR240, TWB2401 Cable. Nickel Body.	82-6166-RFX	For LMR240, TWB2401 Cable. Silver Body	<table border="1"> <thead> <tr> <th>Part Number:</th> <th>Description:</th> </tr> </thead> <tbody> <tr> <td>82-340-1052</td> <td>Crimp/Crimp Straight Plug. For LMR400, TWB4001, Belden 9913, 9914 Cable.</td> </tr> </tbody> </table>	Part Number:	Description:	82-340-1052	Crimp/Crimp Straight Plug. For LMR400, TWB4001, Belden 9913, 9914 Cable.				
Part Number:	Description:																			
82-6152-RFX	Crimp/Crimp Straight Plug. For LMR240, TWB2401 Cable.																			
Part Number:	Description:																			
82-6157-RFX	For LMR240, TWB2401 Cable. Nickel Body.																			
82-6166-RFX	For LMR240, TWB2401 Cable. Silver Body																			
Part Number:	Description:																			
82-340-1052	Crimp/Crimp Straight Plug. For LMR400, TWB4001, Belden 9913, 9914 Cable.																			

ARFA / AFY / RF

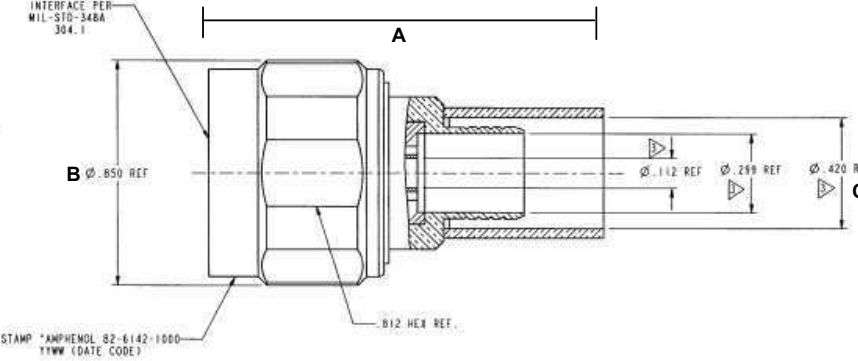
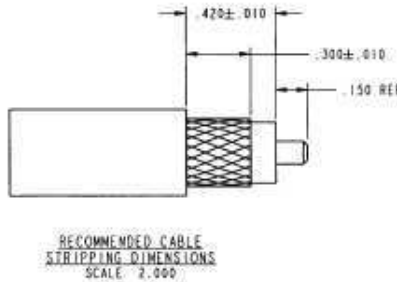
Amphenol

Telecom Solutions

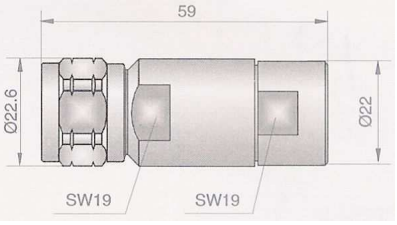
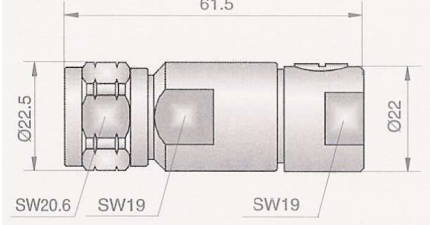
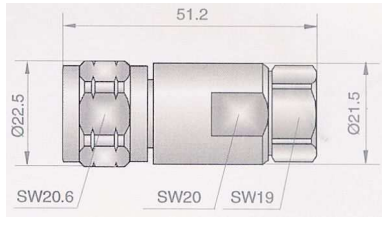
N-Type High Power RF Plugs – Continued

 <p>Termination Instruction H Dim: A: 37.7mm, B: 21mm, C: 10.6mm</p>	 <p>Termination Instruction E Dim: A: 33.5mm, B: 21.6mm, C: 15.9mm, D: 40.9mm</p>	 <p>Termination Instruction E Dim: A: 33.5mm, B: 21.6mm, C: 16mm, D: 40.9mm</p>
--	---	---

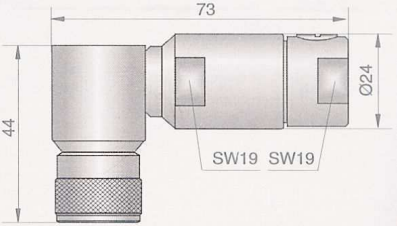
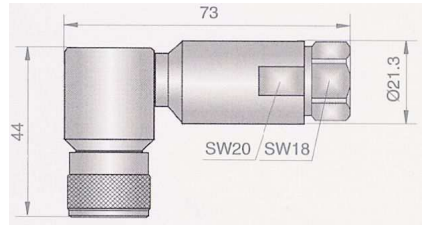
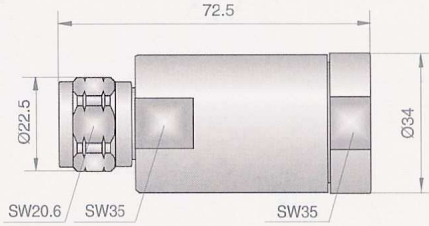
Part Number:	Description:	Part Number:	Description:	Part Number:	Description:
82-202-1006	Clamp/Solder Straight Plug. For LMR400, TWB4001, Belden 9913, 9914 Cable.	82-6048-1000	Crimp/Crimp Right Angle Plug. For LMR400, TWB4001, Belden 9913, 9914 Cable.	82-5995-RFX	Crimp/Crimp Right Angle Plug. For LMR600, TWB6001 Cable.

 <p>Termination Instruction E Crimp/Crimp Straight Plug, Hex Coupling Nut</p>	 <p>RECOMMENDED CABLE STRIPPING DIMENSIONS SCALE 2.000</p>
---	--

Part Number:	Description:	Part Number:	Description:	Part Number:	Description:
82-6106-RFX	For LMR240 / TWB2401 Cable.	82-6142-1000	For LMR400 / TWB4001 Cable.	82-5993-RFX	For LMR600 / TWB6001 Cable.
Dim: A: 35.8mm, B: 21.6mm, C: 6.6mm		Dim: A: 37.8mm, B: 21.6mm, C: 10.6mm		Dim: A: 50.3mm, B: 23.6mm, C: 15.9mm	

 <p>Termination Instruction DD</p>	 <p>Termination Instruction DD</p>	 <p>Termination Instruction X</p>
--	---	---

Part Number:	Description:	Part Number:	Description:	Part Number:	Description:
AFA7-4	N-Type Plug for 1/2" Annular Coaxial Cable without Plaster.	AFA7-5	N-Type Plug for 1/2" Annular Coaxial Cable.	AFA12-3	N-Type Plug for 1/2" Superflexible Coaxial Cable.

 <p>Termination Instruction EE</p>	 <p>Termination Instruction EE</p>	 <p>Termination Instruction EE</p>
--	---	--

Part Number:	Description:	Part Number:	Description:	Part Number:	Description:
AFA43-1	N-Type R/A Plug for 1/2" Annular Coaxial Cable.	AFA51	N-Type R/A Plug for 1/2" Superflexible Coaxial Cable.	AFA17-4	N-Type Plug for 1/2" Annular Coaxial Cable, Whorl connecting inner conductor and cable.

ARFA / AFY / RF

Amphenol

Telecom Solutions

N-Type High Power RF Plugs – Continued

Termination Instruction EE	Termination Instruction Z	Termination Instruction BB			
Part Number:	Description:	Part Number:	Description:	Part Number:	Description:
AFA6-4	N-Type Plug for 7/8" Annular Coaxial Cable, Elastomer connecting inner conductor and cable.	AFA6-2	N-Type Plug for 7/8" Superflexible Coaxial Cable.	AFA85-1	N-Type Plug for 1 1/4" Annular Coaxial Cable.
Termination Instruction CC					
Part Number:	Description:	Part Number:	Description:	Part Number:	Description:
AFA69	N-Type Plug for 1/4" Radiating Cable.	AFA65-1	N-Type Plug for 1 5/8" Annular Coaxial Cable.	AFA62	N-Type Plug for 1 5/8" Radiating Cable.

N-Type High Power RF Jacks

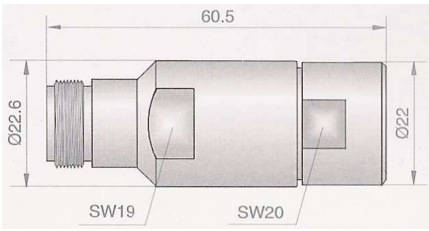
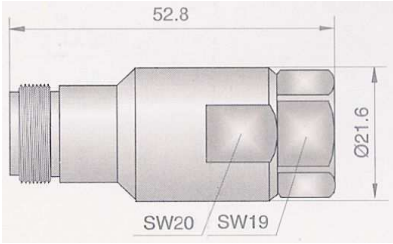
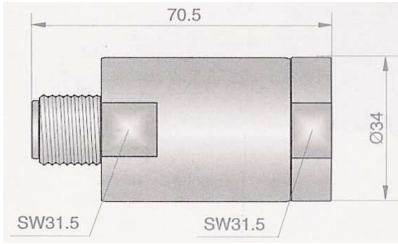
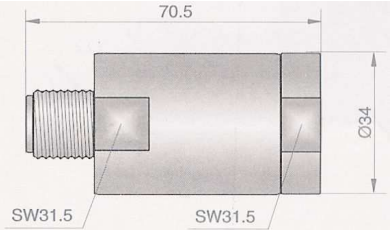
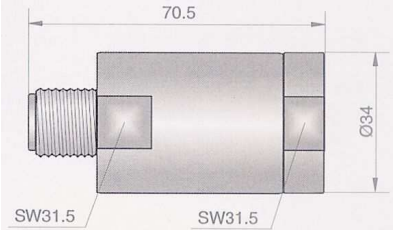
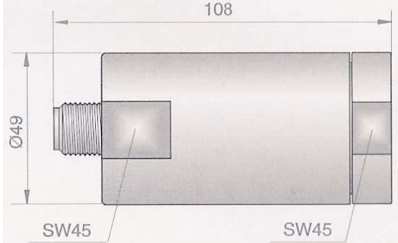
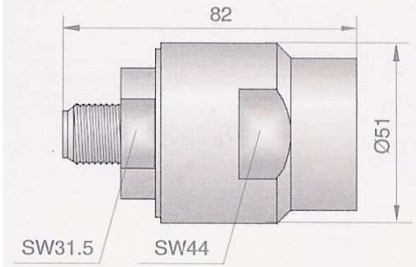
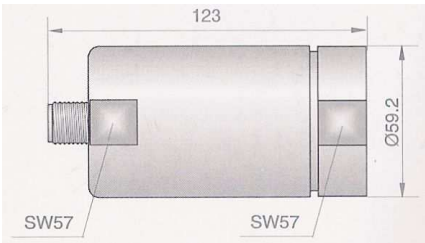
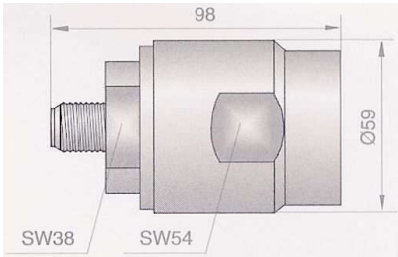
Termination Instruction E	Termination Instruction H	Termination Instruction H			
Crimp/Crimp Straight Jack – Captive Contact <small>N6121A1NT3xxx50</small>	Clamp/Solder Straight Jack – Captive Contact <small>N6141AxNT3Gxxx50</small>	<small>N6141AxNT3Gxxx50</small>			
Part Number:	Description:	Part Number:	Description:	Part Number:	Description:
82-6092-RFX	For RG/U 59/62 Cable.	36500-RFX	For RG/U 59/62 Cable.	82-63-RFX	Clamp/Solder Straight Jack – Captive Contact. For RG/U 8/213/214 Cable.
82-5376-RFX	For RG/U 58/141 Cable.	35025-RFX	For RG/U 58/141 Cable.		
82-4429-RFX	For RG/U 8/213 Cable.				
Termination Instruction E	Termination Instruction H	Termination Instruction DD			
Dim: A: 24.5mm, B: 21mm, C: 3.6mm	Dim: A: 39.6mm, B: 19.1mm, C: 11.3mm				
Part Number:	Description:	Part Number:	Description:	Part Number:	Description:
82-6158-RFX	Crimp/Crimp Straight Jack. For LMR240, TWB2401 Cable.	82-209-1006	Clamp/Solder Straight Jack. For LMR400, TWB4001, Belden 9913, 9914 Cable.	AFA8-5	N-Type Jack for 1/2" Annular Coaxial Cable.

ARFA / AFY / RF

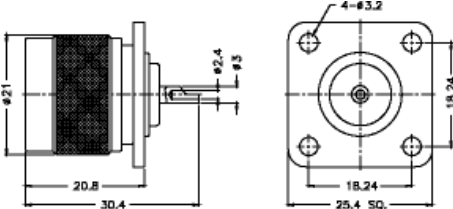
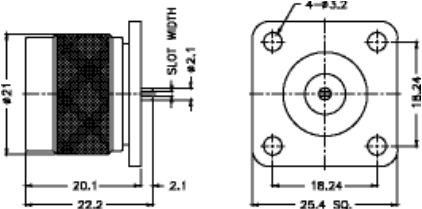
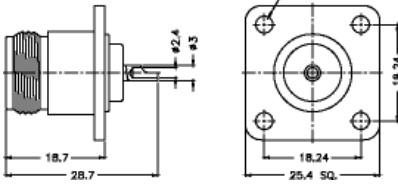
Amphenol

Telecom Solutions

N-Type High Power RF Jacks – Continued

									
Termination Instruction DD			Termination Instruction X			Termination Instruction EE			
Part Number:	Description:	Part Number:	Description:	Part Number:	Description:	Part Number:	Description:	Part Number:	Description:
AFA12-5	N-Type Jack for 1/2" Superflexible Coaxial Cable.	AFA2-2	N-Type Jack for 1/2" Superflexible Coaxial Cable.	AFA5-1	N-Type Jack for 7/8" Annular Coaxial Cable, Whorl connecting inner conductor and cable.	AFA5-4	N-Type Jack for 7/8" Annular Coaxial Cable, Elastomer connecting inner conductor and cable.	AFA18-4	N-Type Jack for 7/8" Superflexible Coaxial Cable.
									
Termination Instruction EE			Termination Instruction Z			Termination Instruction BB			
Part Number:	Description:	Part Number:	Description:	Part Number:	Description:	Part Number:	Description:	Part Number:	Description:
AFA54	N-Type Jack for 1 1/4" Radiating Cable.	AFA14-1	N-Type Jack for 1 5/8" Annular Coaxial Cable.	AFA64	N-Type Jack for 1 5/8" Radiating Cable.				
Termination Instruction CC			Termination Instruction CC			Termination Instruction CC			
Part Number:	Description:	Part Number:	Description:	Part Number:	Description:	Part Number:	Description:	Part Number:	Description:

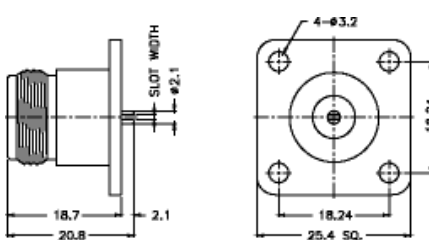
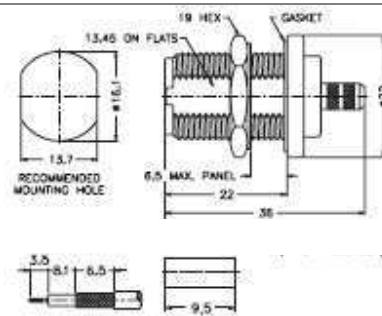
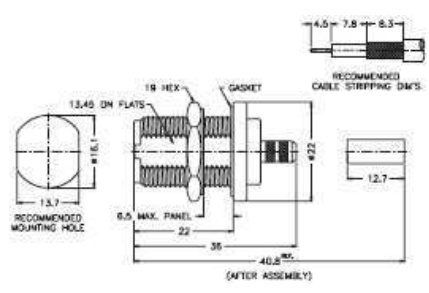
N-Type RF Connector – Panel Mount

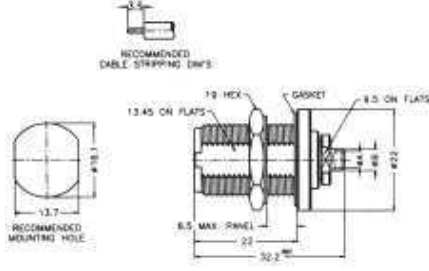
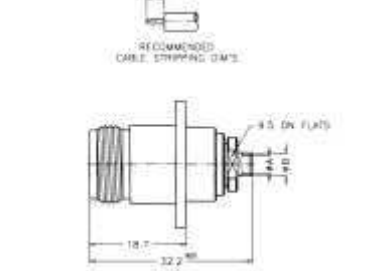
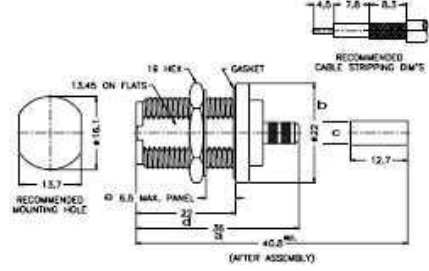
					
Slot Width: 0.3mm, 0.5mm, 0.7mm, 0.9mm					
Part Number:	Description:	Part Number:	Description:	Part Number:	Description:
49000-RFX	Solder-Cup Straight Panel Mount Plug.	82-6100-RFX	Slot Terminal Straight Panel Mount Plug.	82-97-RFX	Solder-Cup Straight Panel Mount Jack.

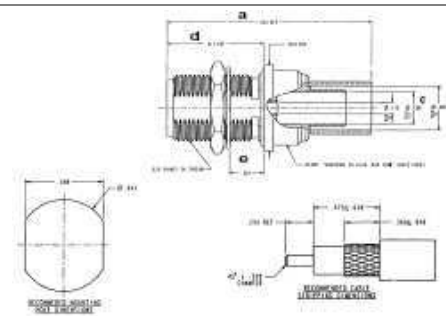
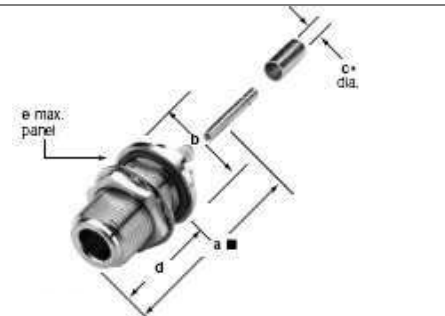
Amphenol

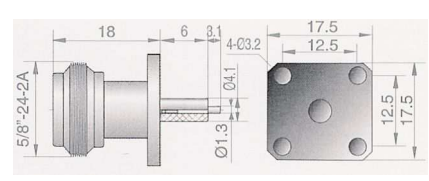
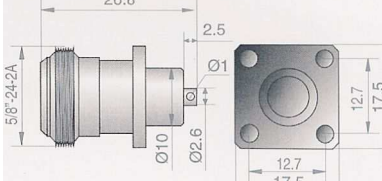
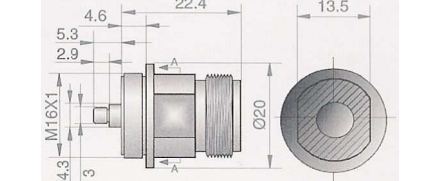
Telecom Solutions

N-Type RF Connector – Panel Mount – Continued

 <p style="text-align: center;">Slot Width: 0.3mm, 0.5mm, 0.7mm, 0.9mm N6551x1NT3Gxx50</p>	 <p style="text-align: center;">Pin2Pin Ferrule Termination Instruction C</p>	 <p style="text-align: center;">Termination Instruction E Crimp/Crimp Str. B/h Jack for Captive Cont. N6421A1NT3xxx50</p>			
Part Number: 82-6101-RFX	Description: Slot Terminal Straight Panel Mount Jack.	Part Number: 82-6093-RFX	Description: Crimp/Solder Str. Bulkhead Jack for Pin2Pin. For RG/U 174/188/316 Cable.	Part Number: 82-6094-RFX	Description: For RG/U 59/62 Cable.
Part Number: 82-6097-RFX	Description: For .141 Cable. A:3.6 B:4.6.	Part Number: 82-6099-RFX	Description: For .141 Cable. A:3.6 B:4.6.	Part Number: 82-5378-RFX	Description: For RG/U 58/141 Cable.
Part Number: 82-6096-RFX	Description: For .085 Cable. A:2.2 B:3.0.	Part Number: 82-6098-RFX	Description: For .085 Cable. A:2.2 B:3.0.	Part Number: 82-346-RFX	Description: For RG/U 8/213 Cable.

 <p style="text-align: center;">Termination Instruction U Solder Straight Bulkhead Jack for Semi-Rigid N6481A23GNT3Gxxx50</p>	 <p style="text-align: center;">Termination Instruction U Solder Straight Panel Jack for Semi-Rigid N6581A13GNT3Gxxx50</p>	 <p style="text-align: center;">Termination Instruction E Dim: A: 36mm, B: 22mm, C: 6.6mm, D: 22mm, E: 6.5mm</p>	
Part Number: 82-6097-RFX	Description: For .141 Cable. A:3.6 B:4.6.	Part Number: 82-6151-RFX	Description: Crimp/Crimp Bulkhead Jack. For LMR240, TWB2401 Cable.
Part Number: 82-6096-RFX	Description: For .085 Cable. A:2.2 B:3.0.	Part Number: 82-6099-RFX	Description: For .141 Cable. A:3.6 B:4.6.

 <p style="text-align: center;">Termination Instruction E Dim: A: 49mm, B: 19mm, C: 10.6mm, D: 23.2mm, E: 8.2mm</p>	 <p style="text-align: center;">Termination Instruction E Dim: A: 56.1mm, B: 23.7mm, C: 15.9mm, D: 23.5mm, E: 6.4mm</p>		
Part Number: 82-6143-1000	Description: Crimp/Crimp Bulkhead Jack. For LMR400, TWB4001, Belden 9913, 9914 Cable.	Part Number: 82-5994-RFX	Description: Crimp/Crimp Bulkhead Jack. For LMR600, TWB6001 Cable.

 <p style="text-align: center;">AFA42-3 N-Type Jack, Exposed TFE Type</p>	 <p style="text-align: center;">AFA44-2 N-Type Jack</p>	 <p style="text-align: center;">AFA46-1 N-Type Jack</p>			
Part Number: AFA42-3	Description: N-Type Jack, Exposed TFE Type	Part Number: AFA44-2	Description: N-Type Jack	Part Number: AFA46-1	Description: N-Type Jack

ARFA / AFY / RF