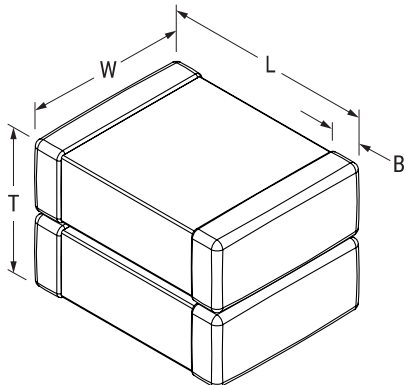


KONNEKT Comm U2J, Ceramic, Commercial Grade, 0.94 uF, 5%, 50 VDC, U2J



| General Information |   |
|---------------------|---|
| Supplier:           | KEMET                                     |
| Series:             | KONNEKT Comm U2J                          |
| Style:              | KONNEKT                                   |
| Description:        | SMD, MLCC, KONNEKT, Ultra-Stable, Class I |
| Features:           | High Density Packaging                    |
| RoHS:               | Yes                                       |
| Termination:        | Tin                                       |
| Chip Size:          | 1812-2                                    |
| Shelf Life:         | 78 Weeks                                  |
| MSL:                | 1   |

| Dimensions |                 |
|------------|-----------------|
| L          | 4.5mm +/-0.3mm  |
| W          | 3.2mm +/-0.3mm  |
| T          | 3.5mm +/-0.4mm  |
| B          | 0.6mm +/-0.35mm |

| Packaging Specifications |                          |
|--------------------------|--------------------------|
| Packaging:               | T&R, 180mm, Plastic Tape |
| Packaging Quantity:      | 500                      |

| Specifications                   |                       |
|----------------------------------|-----------------------|
| Capacitance:                     | 0.94 uF               |
| Capacitance Tolerance:           | 5%                    |
| Voltage DC:                      | 50 VDC                |
| Dielectric Withstanding Voltage: | 125 V                 |
| Temperature Range:               | -55/+125C             |
| Temperature Coefficient:         | U2J                   |
| Dissipation Factor:              | 0.10% 1kHz 25C        |
| Aging Rate:                      | 0.1% Loss/Decade Hour |
| Insulation Resistance:           | 1.06 GOhms            |