

NEWPORT® Switching Power Supply

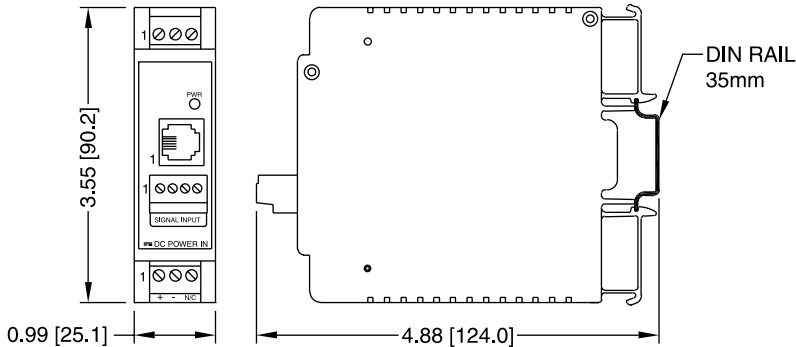
iDRN-PS-1000

- ✓ 24 Vdc Supply for iDRN/iDRX Modules
- ✓ iDRN-PS-1000 Switching Supply Powers up to 7 Units

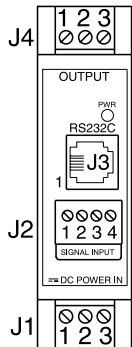
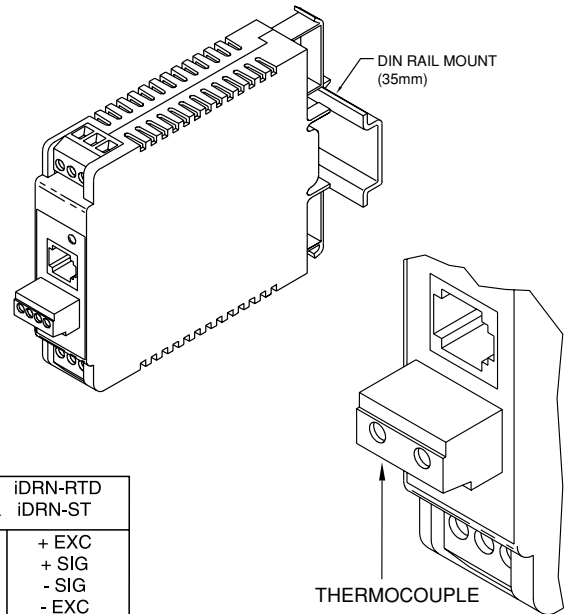


\$150
iDRN-PS-1000

Model No.	Price	Description
iDRN-PS-1000	150	Power Supply (switching), 95 to 240 Vac input, 24 Vdc output @ 850 mA (power 7 units)
SOFTWARE		
OPC-SERVER LICENSE	295	OPC Server for Signal Conditioners
iDRX-RS485-SW	Free	Active X Controls and Configuration Software/iDRX Windows 95/98/NT/XP. Free Sample Visual Basic App Source Code.
iDRN-RS232-SW	Free	Active X Controls and Configuration Software/iDRN Windows 95/98/NT. Free Sample Visual Basic App Source Code.
-FS	Free	Factory setup and scaling
ACCESSORIES		
CAT-285	148	Bi-directional RS-232-R3-485 converter for DRX series
DB9-RJ12	30	DB9 to RJ12 Connector Adapter, includes 7ft. RJ12 cord
DB25-RJ12	30	DB25 to RJ12 Connector Adapter, includes 7ft. RJ12 cord
RJ12T	15	RJ12" T" Split Connector for RS-485 instruments, includes 7 ft. RJ12 cord



NOTE: DIMENSIONS ARE IN INCHES WITH MILLIMETERS IN [].

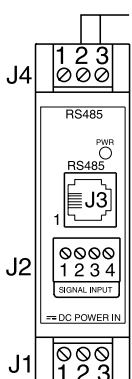
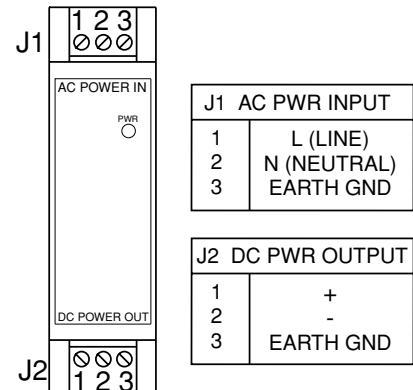


iDRN CONNECTIONS

J4 iDRN OUTPUT	J2 iDRN-ACC	J2 iDRN-FP	J2 iDRN-RTD & iDRN-ST
1 V (VOLT)	1 RETURN	1 + EXC	1 + EXC
2 I (CURR)	2 5A	2 + INPUT	2 + SIG
3 ↓ (RTN)	3 1A	3 RESET	3 - SIG
	4 <100mA	4 RTN	4 - EXC

J1 iDRN DC PWR IN	J2 iDRN-ACV	J2 iDRN-PR	J2 iDRN-TC
1 +	1 SIG HI	1 + EXC	1 +TC
2 -	2 N/C	2 + V IN	2 -TC
3 N/C	3 N/C	3 + I IN	
	4 SIG LO	4 RTN	

iDRN-PS-1000 CONNECTIONS



iDRX CONNECTIONS

J4 iDRX RS485	J2 iDRX-ACC	J2 iDRX-FP	J2 iDRX-RTD & iDRX-ST
1 - TX / - RX	1 RETURN	1 + EXC	1 + EXC
2 +TX / +RX	2 5A	2 + INPUT	2 + SIG
3 TER	3 1A	3 RESET	3 - SIG
	4 <100mA	4 RTN	4 - EXC

J1 iDRX DC PWR IN	J2 iDRX-ACV	J2 iDRX-PR	J2 iDRX-TC
1 +	1 SIG HI	1 + EXC	1 +TC
2 -	2 N/C	2 + V IN	2 -TC
3 N/C	3 N/C	3 + I IN	
	4 SIG LO	4 RTN	

PLACE JUMPER TO ENABLE TERMINATION