

T9S POWER PCB RELAY

TE Connectivity (TE) introduces the Potter & Brumfield T9S Power PCB relay with 1.8mm contact gap. Primarily designed for solar applications, the extended contact gap of this relay provides better isolation and allows for usage in higher elevation environments. Other applications include EV chargers, washing machines, dryers and safe power supply disconnections. This relay is UL recognized and VDE approved and allows coil holding voltage reduction down to 4.7 V.



Applications

- Photovoltaic inverter
- Charging stations
- Electrical grid disconnects

Electrical

- Contact gap: 1.5mm (standard), >1.8mm (suffix S)
- Rated current: 35A
- Rated voltage: 250VAC

Mechanical

- 1 form A (NO) contact, 35 A
- 350mW hold power
- Ambient temperature up to 85°C at 35A

Product Specifications

- VDE 40030974
- UL E58304
- IEC 60335-1

Materials

- Contact material: Silver Nickel

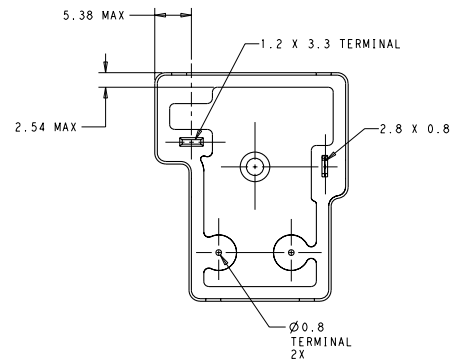
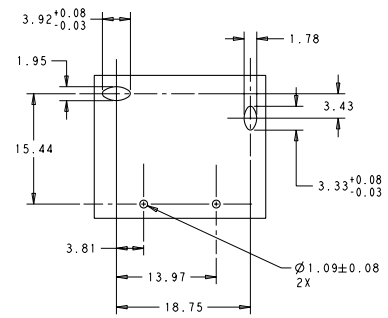
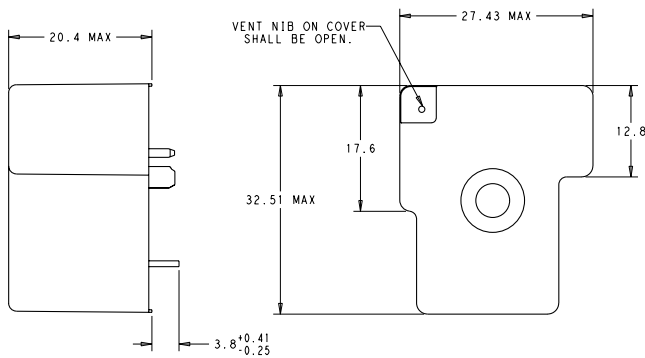
Key Benefits

- Provide a solution for disconnect switch applications
- Enable high current switching (8kW solar inverters)
- Provide a solution for cad-free application requirements

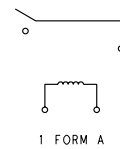
Product Selection Information

Part Number	Description	Contact Gap
2027395-1	T9SV1K15-12	1.5mm
2027395-3	T9SV1K15-12S	1.8mm

Dimensions



WIRING DIAGRAM (BOTTOM VIEW)



te.com

© 2016 TE Connectivity Ltd. Family of Companies. All Rights Reserved. Potter & Brumfield, TE, TE Connectivity, and the TE connectivity (logo) are trademarks of the TE Connectivity Ltd. family of companies. Other logos, product and Company names mentioned herein may be trademarks of their respective owners.
1-1773877-5 JN 4/2016

USA: +1 (800) 522-6752
Canada: +1 (905) 475-6222
Mexico: +52 (0) 55-1106-0800
Latin/S. America: +54 (0) 11-4733-2200
Germany: +49 (0) 6251-133-1999

UK: +44 (0) 800-267666
France: +33 (0) 1-3420-8686
The Netherlands: +31 (0) 73-6246-999
China: +86 (0) 400-820-6015

