

5 V / 1.2 A non-isolated flyback converter using VIPerPlus – VIPer114LS

Data brief



Features

- Universal AC main input voltage range: 85V_{AC} to 265V_{AC}
- Output voltage: 5 V
- Output current: 1.2 A
- Rated output power: 6 W
- No load input power @230 V_{AC}: < 10 mW
- Active mode efficiency: > 78%
- EMI: according to EN55022-Class-B
- RoHS compliant

Description

The STEVAL-ISA196V1 evaluation board implements a flyback converter (5 V / 1.2 A) wide range mains developed for general purpose applications.

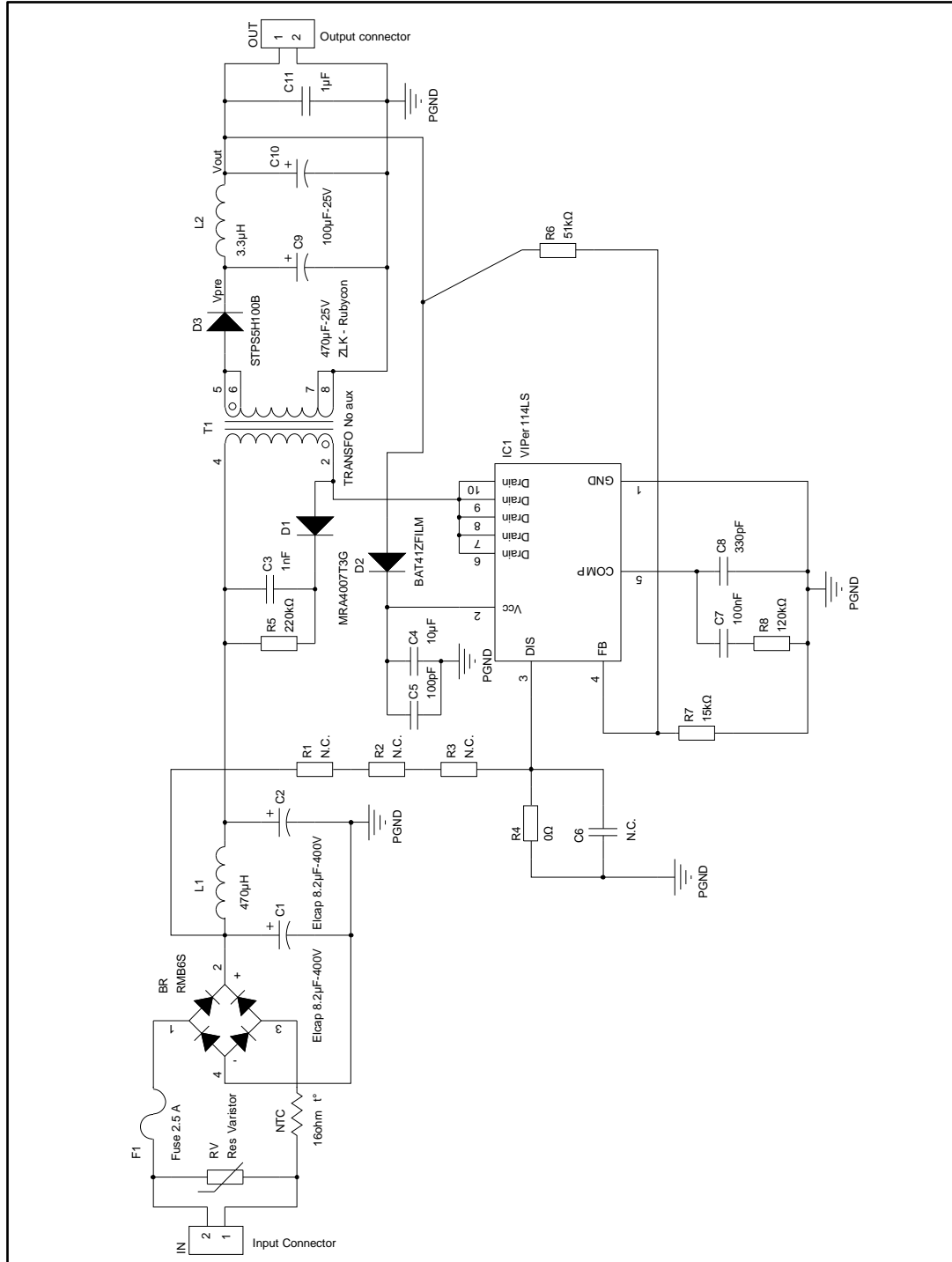
The core of the application is the VIPer11, a new off-line high voltage converter from the VIPerPlus family.

The device is a high-voltage converter that intelligently integrates an 800 V rugged power MOSFET with PWM current-mode control.

The main characteristics of the evaluation board are its single layer, small size and minimal BOM, high efficiency and low standby consumption.

1 Schematic diagram

Figure 1: STEVAL-ISA196V1 circuit schematic



2 Revision history

Table 1: Document revision history

Date	Version	Changes
19-Sep-2017	1	Initial release.

IMPORTANT NOTICE – PLEASE READ CAREFULLY

STMicroelectronics NV and its subsidiaries ("ST") reserve the right to make changes, corrections, enhancements, modifications, and improvements to ST products and/or to this document at any time without notice. Purchasers should obtain the latest relevant information on ST products before placing orders. ST products are sold pursuant to ST's terms and conditions of sale in place at the time of order acknowledgement.

Purchasers are solely responsible for the choice, selection, and use of ST products and ST assumes no liability for application assistance or the design of Purchasers' products.

No license, express or implied, to any intellectual property right is granted by ST herein.

Resale of ST products with provisions different from the information set forth herein shall void any warranty granted by ST for such product.

ST and the ST logo are trademarks of ST. All other product or service names are the property of their respective owners.

Information in this document supersedes and replaces information previously supplied in any prior versions of this document.

© 2017 STMicroelectronics – All rights reserved