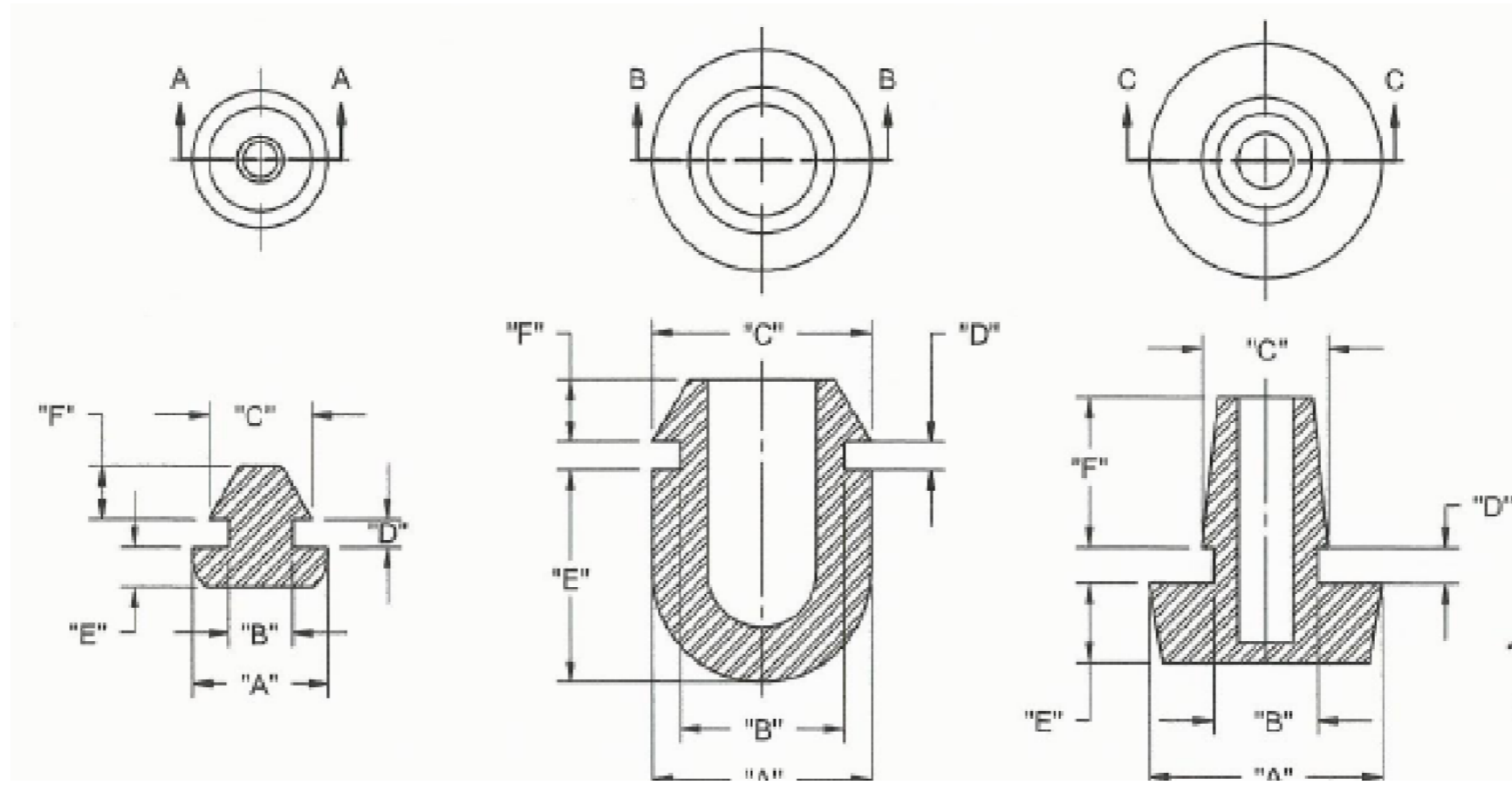


DEBUR AND BREAK SHARP EDGES

DO NOT SCALE DRAWING

REVISION



STYLE 1

STYLE 2

STYLE 3

TR Pt No.	MOUNTING HOLE	PANEL THICKNESS	DIA "A"	DIA "B"	DIA "C"	"D"	"E"	"F" REF	STYLE
TRPOF-40022	0.146-0.150 (3.7-3.8)	0.126 (3.2)	0.31(7.9)	0.126(3.2)	0.17(4.4)	0.13(3.3)	0.06(1.6)	0.13(3.3)	1
TRPOF-40048	0.177-0.181 (4.5-4.6)	0.059 (1.5)	0.31(7.9)	0.146(3.7)	0.24(6.1)	0.06(1.6)	0.09(2.3)	0.12(3.0)	1
TRPOF-40059	0.374-0.378 (9.5-9.6)		0.50(12.7)	0.374(9.5)	0.50(12.7)		0.48(12.2)	0.14(3.6)	2
TRPOF-50185	0.236-0.240 (6.0-6.1)	0.075 (1.9)	0.53(13.4)	0.236(6.0)	0.29(7.3)	0.08(2.0)	0.18(4.6)	0.34(8.6)	3
TRPOF-12664	0.276-0.280 (7.0-7.1)	0.047(1.2)	0.62(15.7)	0.276(7.0)	0.34(8.6)	0.05(1.3)	0.05(1.3)	0.16(4.1)	3

A DRAWN 21/07/14

NOTES



DESIGN RIGHT. TR FASTENINGS LTD, 2003  
 UNDER NO CIRCUMSTANCES MUST THIS  
 DRAWING BE COPIED OR DISCLOSED,  
 WITHOUT FIRST OBTAINING WRITTEN  
 AUTHORITY.

UNLESS OTHERWISE SPECIFIED:  
 DIMENSIONS ARE IN MILLIMETERS  
 SURFACE FINISH:  
 TOLERANCES:

NAME	DATE
DRAWN MARTIN ELLIOTT	21/07/14
CHK'D	
APPV'D	

CUSTOMER PART No

MATERIAL:  
 THERMOPLASTIC  
 ELASTOMER - UL94 HB - BLACK

HEAT TREATMENT

N/A

FINISH:  
 N/A

TITLE:

PUSH ON FEET

DWG NO.

TRPOF-XXXXX

A3