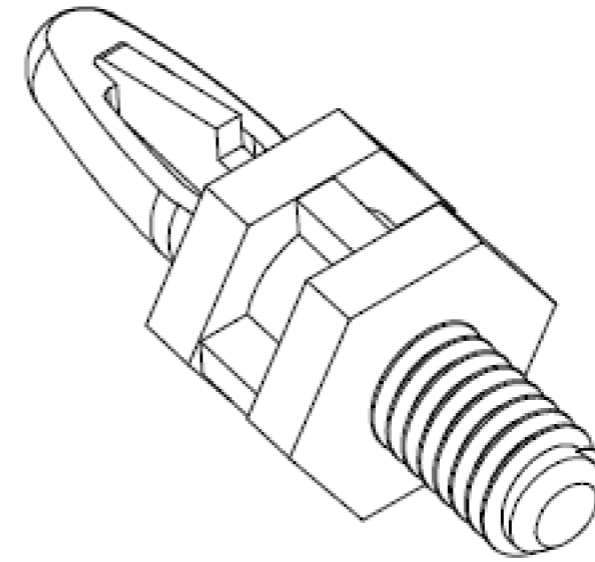
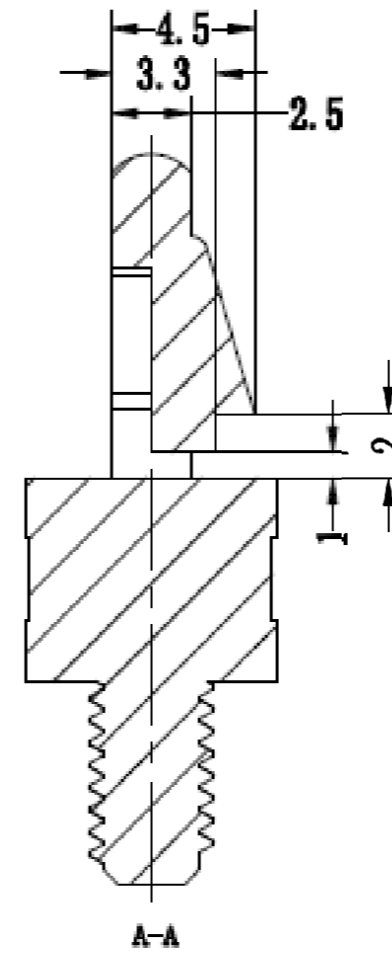
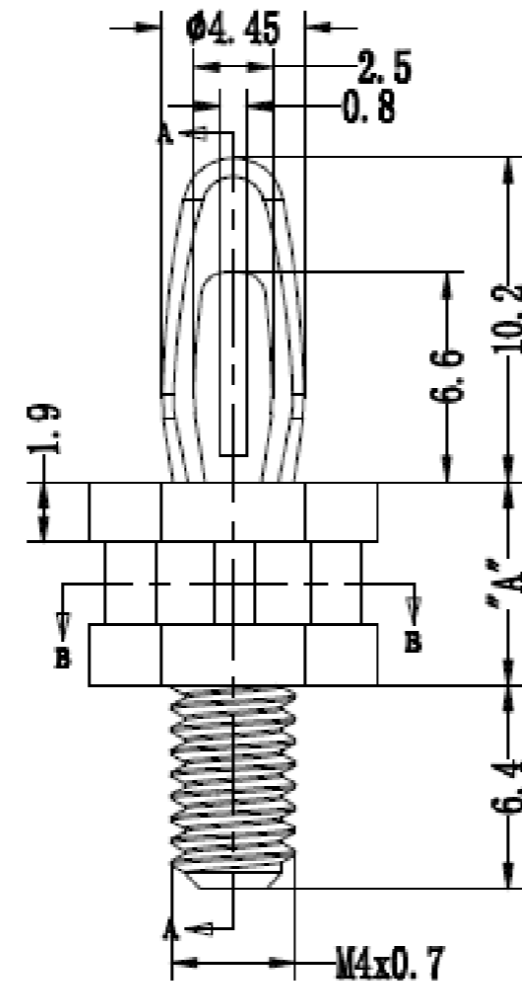
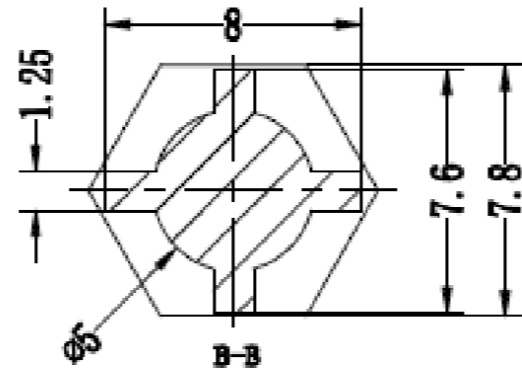


DEBUR AND BREAK SHARP EDGES

DO NOT SCALE DRAWING

REVISION



PART No.	"A"
TRMSCBS-4-01	6.4
TRMSCBS-6-01	9.5
TRMSCBS-8-01	12.7
TRMSCBS-10-01	15.9
TRMSCBS-12-01	19.1

- C Pt No TABLE ADDED  
M.E. 26/06/14
- B DRG No CHANGED  
M.E. 18/06/14
- A DRAWN 04/11/13

NOTES

1. MATERIAL: PA66 UL94V-2/UL94V0;
2. COLOR: NATURAL;
3. ROHS Compliant;
4. Hole:  $\varnothing 4.0 \pm 0.08\text{mm}$ ,  
Panel Thickness: 1.57mm;



DESIGN RIGHT. TR FASTENINGS LTD, 2003  
UNDER NO CIRCUMSTANCES MUST THIS  
DRAWING BE COPIED OR DISCLOSED,  
WITHOUT FIRST OBTAINING WRITTEN  
AUTHORITY.

UNLESS OTHERWISE SPECIFIED:  
DIMENSIONS ARE IN MILLIMETERS  
SURFACE FINISH:  
TOLERANCES:

ISO 2768 m

NAME	DATE
DRAWN MARTIN ELLIOTT	04/11/13
CHK'D	
APPV'D	

CUSTOMER PART No

MATERIAL:

SEE NOTES

HEAT TREATMENT

N/A

FINISH:

N/A

TITLE:

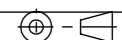
METRIC STUDDED CIRCUIT  
BOARD SUPPORT

DWG NO.

TRMSCBS-XX-01

A3

PROJECTION



SHEET 1 OF 1