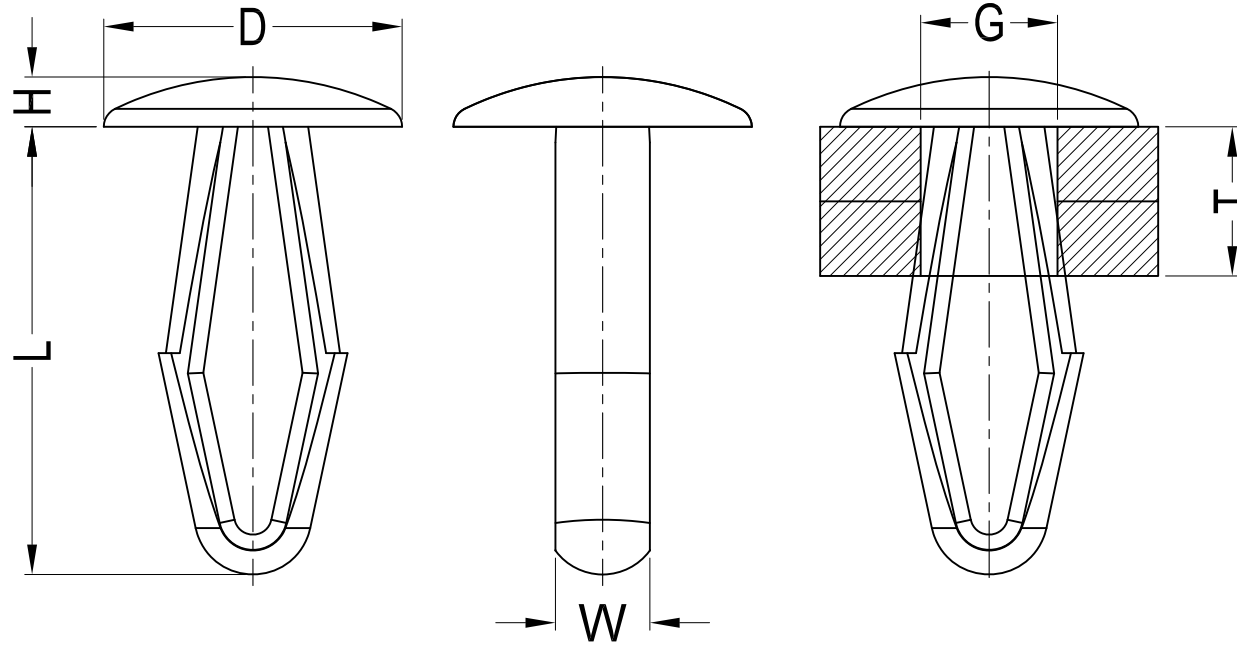


DO NOT SCALE DRAWING

REVISIONS				
ZONE	REV.	DESCRIPTION	DATE	APPROVED
	A	DRAWN	08-08-2013	



Part No.	G	T	D ±0.25	H ±0.25	L Ref.	W Ref.
TRDF-137-010	3.2	1.0-4.5	8.0	1.5	13.0	2.7
TRDF-137-020	3.9	1.0-5.0	9.0	1.6	14.0	2.9
TRDF-137-030	4.7	1.0-5.5	10.0	1.7	15.0	3.4
TRDF-137-031			11.0	2.9		
TRDF-137-040	6.4	1.5-6.5	12.0	2.0	17.0	3.9
TRDF-137-050	7.8	1.5-7.0	14.0	2.2	19.0	4.2
TRDF-137-060	5.5	6.0-9.0	12.0	2.0	18.0	3.8

Notes:
RoHS Compliant;



DESIGN RIGHT. TR FASTENINGS LTD. 2003
UNDER NO CIRCUMSTANCES MUST THIS
DRAWING BE COPIED OR DISCLOSED.
WITHOUT FIRST OBTAINING WRITTEN
AUTHORITY.

UNLESS OTHERWISE SPECIFIED:
DIMENSIONS ARE IN MILLIMETERS.
SURFACE FINISH:
TOLERANCES:
L ≤ 4 = ±0.1 4 < L ≤ 15 = ±0.2
15 < L ≤ 50 = ±0.3 50 < L ≤ 100 = ±0.4

NAME	DATE
DRAWN MARTIN ELLIOTT	08/08/2013
CHK'D	
APP'D	

MATERIAL

POM UL94 HB

HEAT TREATMENT

N/A

FINISH

Natural/Black

TITLE

DRIVE FASTENER

CUSTOMER PART NO.

DWG NO.

TRDF-137-XXX

A3