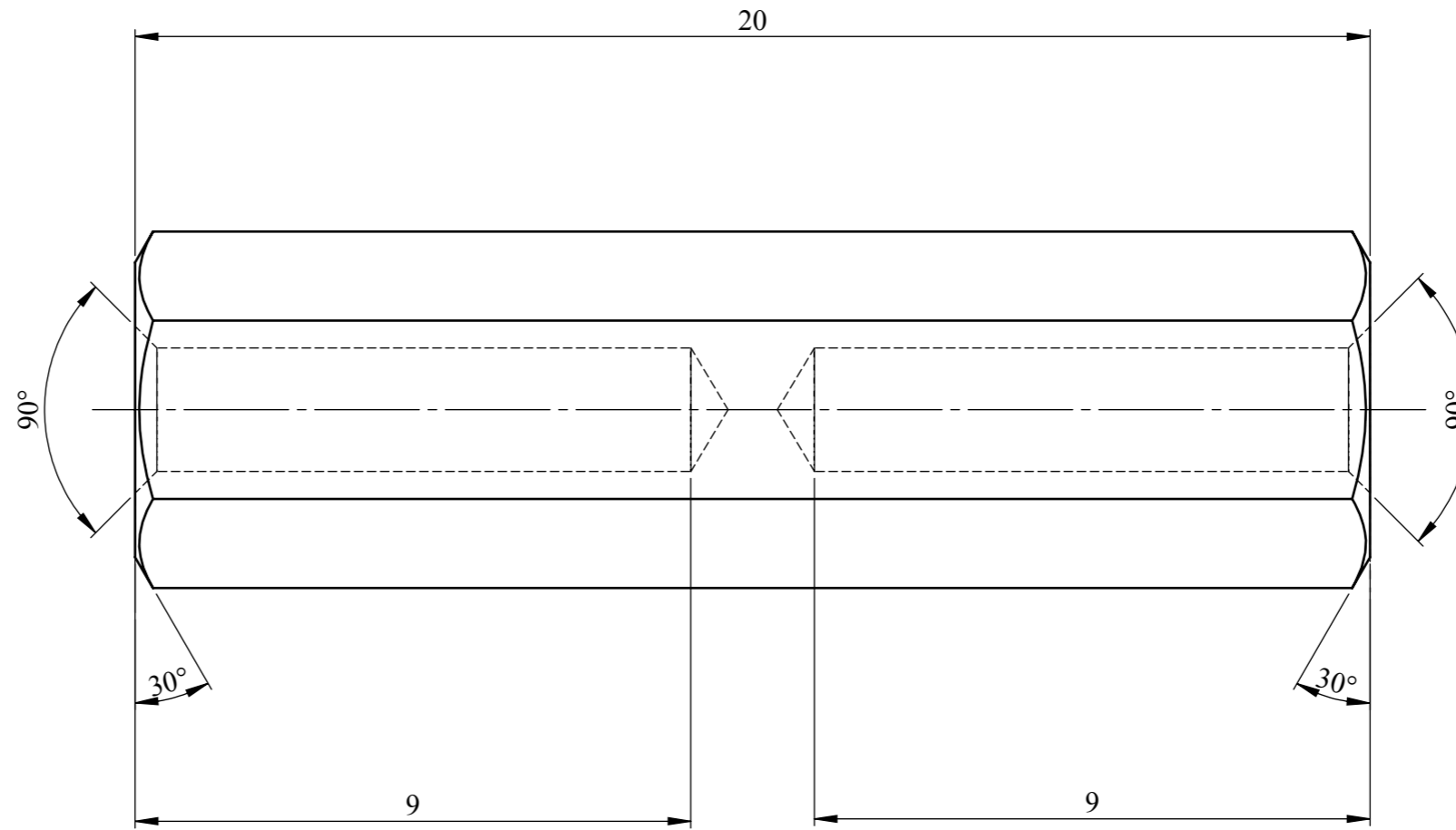
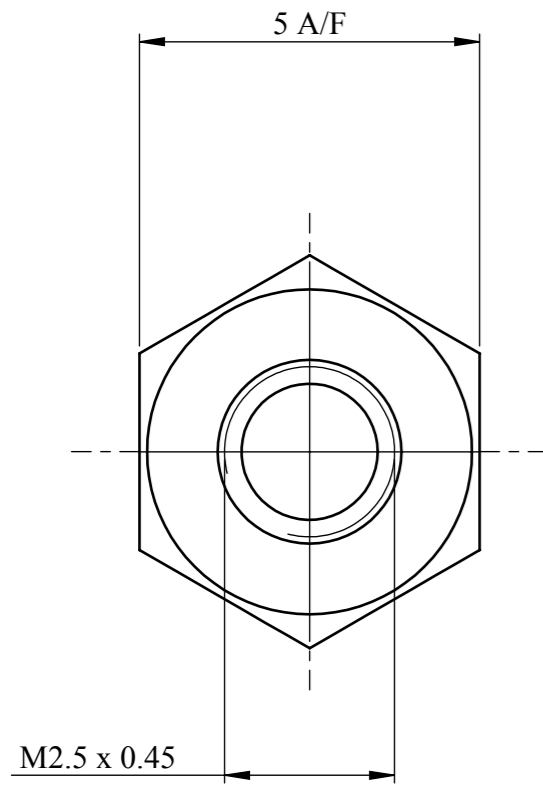


DEBUR AND BREAK SHARP EDGES

DO NOT SCALE DRAWING

REVISION



A DRAWN - 07/12/15

NOTES



DESIGN RIGHT. TR FASTENINGS LTD, 2003
 UNDER NO CIRCUMSTANCES MUST THIS
 DRAWING BE COPIED OR DISCLOSED,
 WITHOUT FIRST OBTAINING WRITTEN
 AUTHORITY.

UNLESS OTHERWISE SPECIFIED:
 DIMENSIONS ARE IN MILLIMETERS
 SURFACE FINISH:
 TOLERANCES:

ISO 2768 m	
NAME	DATE
DRAWN MARTIN ELLIOTT	07/12/15
CHK'D	
APPV'D	

CUSTOMER PART No

MATERIAL:
 STEEL - 11SMnPb30

HEAT TREATMENT

N/A

FINISH:
 ZINC PLATE A2F

TITLE:
 M2.5 x 20 F/F HEXAGON SPACER

DWG NO.
 FAHSSFFM2.5-20-5

A3