

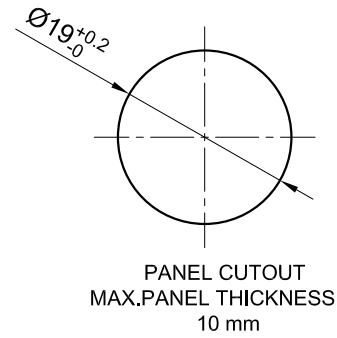
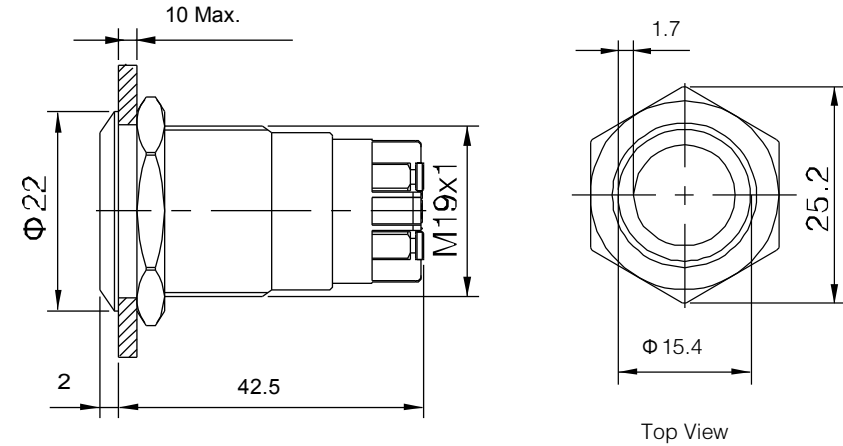
AB-AV-922-N IP65 ANTI-VANDAL PUSH BUTTON (with internal resistor)

SWITCHES

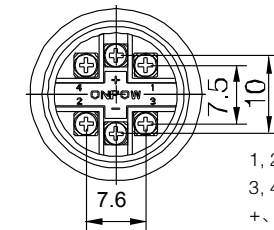
Specifications

AB-AV-922-N	
Terminal type	Screw terminal
Switching	1NO/1NC Latching
Illumination colour	Green
Illumination type	Ring illumination
LED voltage	12V AC/DC
LED current rating	15mA (approx)
Panel cut out	19mm
Switch rating	5A(2) 250VAC / 5A(2) 12/24VDC
Contact resistance	≤50MΩ
Insulation resistance	≥1000MΩ
Dielectric strength	2000VAC
Operating temperature	-25°C~+55°C
Mechanical life	≥1,000,000 cycles
Electrical life	≥50,000 cycles
Panel thickness	1~10mm
Torque	0.8Nm max applied to nut
Operation pressure	4N approx
Operation travel	2.5mm approx
IP degree	IP65
Material: Contact	Silver alloy
Button/Body	Stainless steel
Base	PA/PC

ROHS Compliant



Dimensions Unit: mm



Terminal
Arrangement

1, 2 are normal closed (NC)
3, 4 are normal opened (NO)
+, - are lamp terminals, the standard
LED terminals have no difference of
anode and cathode;
The lamp and switch are relatively
independent and can use switch or
peripheral circuit to control the lamp state



ALAN BUTCHER COMPONENTS LTD

Alan Butcher Components Ltd

Unit 1 Beechwood Clump Farm Industrial Estate Tin Pot Lane Blandford Dorset DT11 7TD

Telephone 01258 456360 Facsimile 01258 459194 Email sales@abcomponents.co.uk

www.abcomponents.co.uk