



Flush Illuminated
Vandal Resistant
Switch-Ring

Domed Illuminated
Vandal Resistant
Switch-Ring

Prominent Illuminated
Vandal Resistant
Switch-Ring

Features

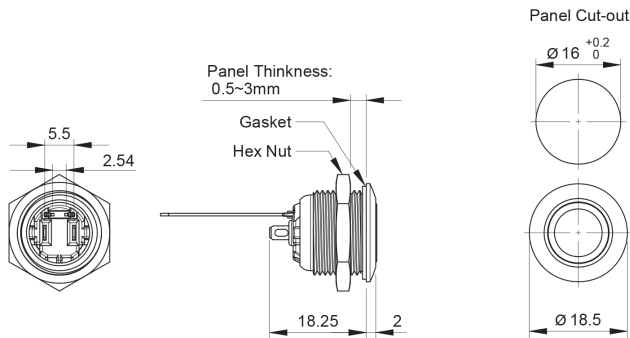
- For a mounting hole diameter of 16mm
- Contact blocks with gold plated contacts
- Three different top type: Flush, Prominent & Domed mount top

Specifications

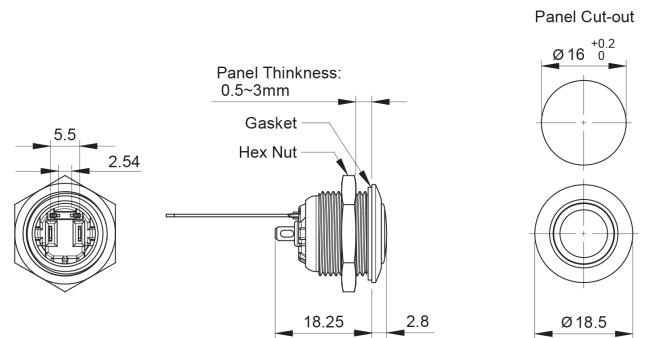
Rated Voltage	: 48V DC
Rated Current	: 100mA
LED Voltage	: 12V
LED Colour	: Green / Red / Blue
Switch Operation	: 1NO
Material / Finish	: Stainless Steel
Dielectric Strength	: Between live part and ground: 2,000V AC / min Between terminals of the same poles: 1,000V AC / min
Contact Resistance	: 50mΩ Max. (Initial value)
Insulation Resistance	: 100MΩ Min. (500V DC)
Operating Humidity	: 45 to 85% RH (No condensation)
Storage Temperature	: -30°C to +70°C (No freezing)
Operating Temperature	: -25°C to +50°C (No freezing)
Vibration Resistance	: Operating extremes/Damage limits: 5 to 55Hz, Amplitude: 0.5mm
Shock Resistance	: Damage limits: 500 m/S ² Operating limits: 200 m/S ²
Mechanical Life	: Momentary: 1,000,000 Maintained: 250,000
Electrical Life	: 50,000
Degree of Protection	: IP67
Terminal Style	: Solder terminal
Weight	: 11g

Diagram

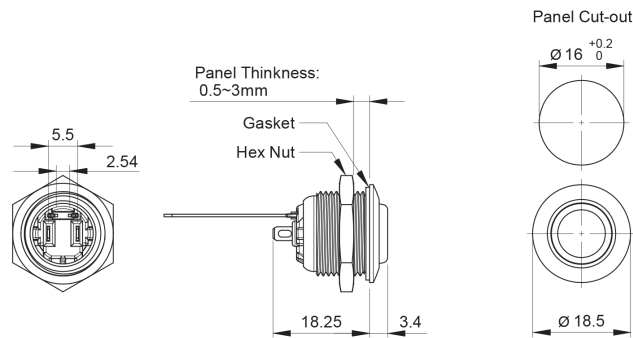
Flush Illuminated Vandal Resistant Switch-Ring



Domed Illuminated Vandal Resistant Switch-Ring



Prominent Illuminated Vandal Resistant Switch-Ring



Dimensions : Millimetres

Part Number Table

Description	Contact Configuration	LED Colour	Part Number
Flush Illuminated Vandal Resistant Switch	Momentary	Blue Ring	MC010875
		Green Ring	MC010873
		Red Ring	MC010874
	Maintained	Blue Ring	MC010878
		Green Ring	MC010876
		Red Ring	MC010877
Domed Illuminated Vandal Resistant Switch	Momentary	Blue Ring	MC010881
		Green Ring	MC010879
		Red Ring	MC010880
	Maintained	Blue Ring	MC010884
		Green Ring	MC010882
		Red Ring	MC010883

Illuminated Vandal Resistant Switch



Description	Contact Configuration	LED Colour	Part Number
Prominent Illuminated Vandal Resistant Switch	Momentary	Blue Ring	MC010887
		Green Ring	MC010885
		Red Ring	MC010886
	Maintained	Blue Ring	MC010890
		Green Ring	MC010888
		Red Ring	MC010889

Important Notice : This data sheet and its contents (the "Information") belong to the members of the Premier Farnell group of companies (the "Group") or are licensed to it. No licence is granted for the use of it other than for information purposes in connection with the products to which it relates. No licence of any intellectual property rights is granted. The Information is subject to change without notice and replaces all data sheets previously supplied. The Information supplied is believed to be accurate but the Group assumes no responsibility for its accuracy or completeness, any error in or omission from it or for any use made of it. Users of this data sheet should check for themselves the Information and the suitability of the products for their purpose and not make any assumptions based on information included or omitted. Liability for loss or damage resulting from any reliance on the Information or use of it (including liability resulting from negligence or where the Group was aware of the possibility of such loss or damage arising) is excluded. This will not operate to limit or restrict the Group's liability for death or personal injury resulting from its negligence. Multicomp is the registered trademark of the Group. © Premier Farnell Limited 2016.

www.element14.com
www.farnell.com
www.newark.com

