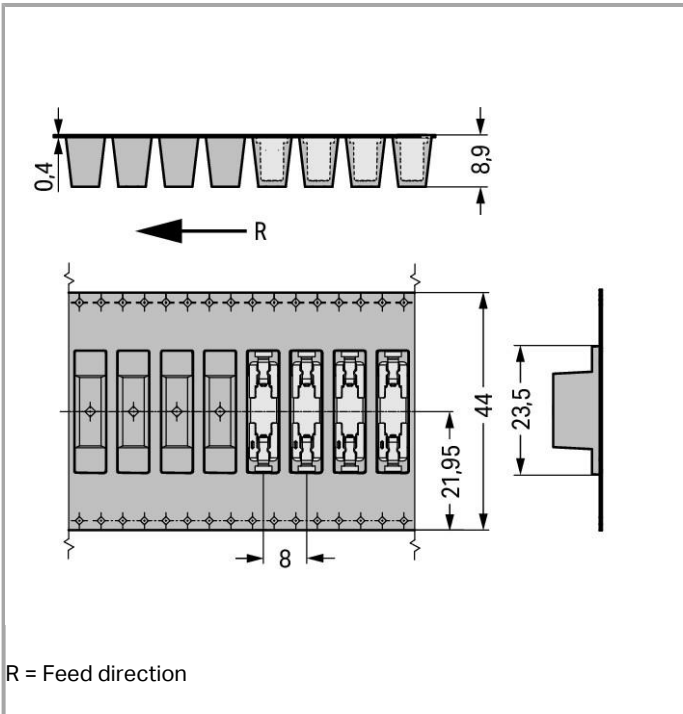
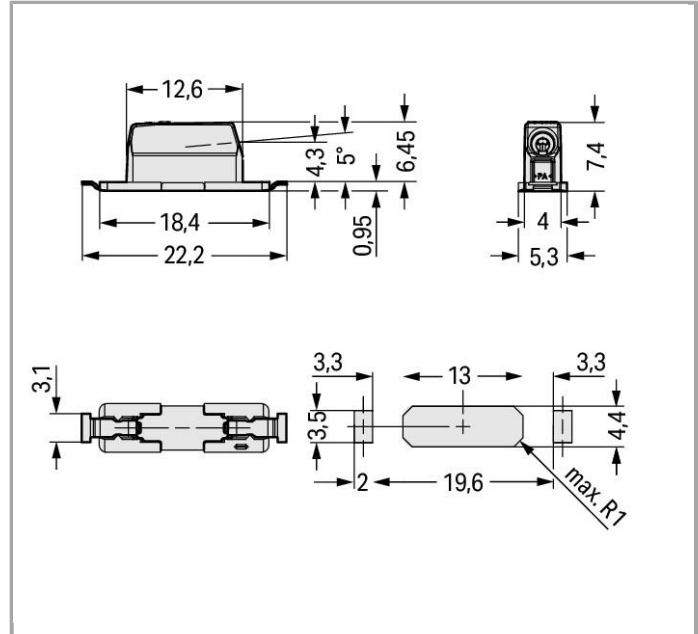
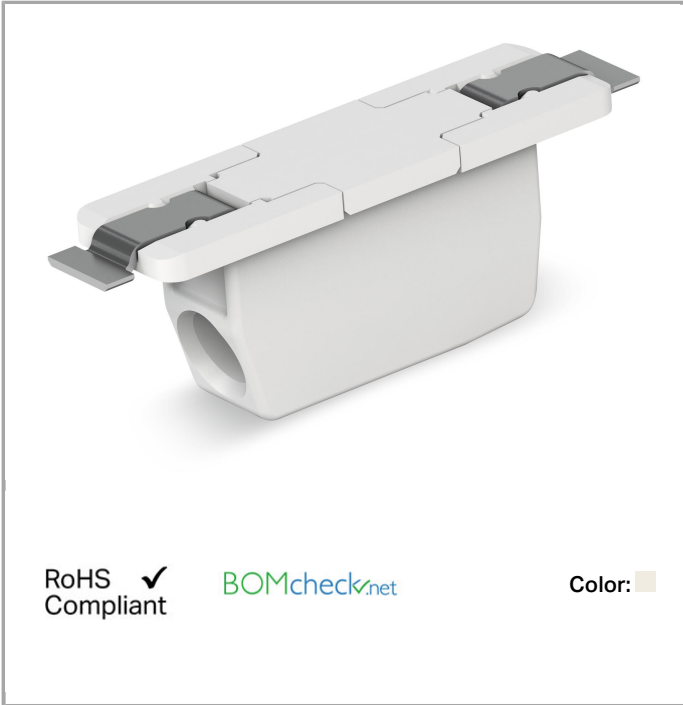


Data sheet | Item number: 2070-521/998-406

SMD PCB ; 0.75 mm<sup>2</sup>; 6.5 mm; 1; Push-in CAGE CLAMP®;

[www.wago.com/2070-521\\_998-406](http://www.wago.com/2070-521_998-406)



### Item description

—



- SMD PCB
- 4.5 mmPCB
- 

Data

Ratings per IEC/EN 60664-1

	Electrical Data for FR4 PCB Type
(III / 3)	320 V
(III / 3)	4 kV
(III / 2)	320 V
(III / 2)	4 kV
(II / 2)	630 V
(II / 2)	4 kV
	9 A
2	IEC/EN 60664-1
2	Electrical Data for Metal-Core PCBs
(III / 3) 2	200 V
(III / 3) 2	4 kV
(III / 2) 2	320 V
(III / 2) 2	4 kV
(II / 2) 2	500 V
(II / 2) 2	4 kV
2	9 A
	(III / 2) ≧ III / 2
	0.2 ... 0.75 mm <sup>2</sup> / 24 ... 18 AWG
	0.2 ... 0.75 mm <sup>2</sup> / 24 ... 18 AWG
	8.5 ... 10 mm / 0.33 ... 0.39 Inch
PCB	0°
	1
	1
	1
	1
	1



## Geometrical Data

	6.5 mm (0.256 inch)
	5.3 mm / 0.209 inch
	7.45 mm / 0.293 inch
	22.2 mm / 0.874 inch
	330 mm
	44 mm
	with Cover
	Through-board
	+

## PCB contact

PCB	SMD
	I
	(PPA-GF)
UL94	V0
	0.558 g

## Environmental Requirements

	-60 ... +105 C
Country of origin	CH
GTIN	4055143645140
Customs Tariff No.	85369010000

## Approvals / Certificates

### Country specific Approvals

Logo	Approval	Certificate name
	CB DEKRA Certification B.V.	NL-50427



KEMA/KEUR  
DEKRA Certification B.V.

71-102671



KEMA/KEUR  
DEKRA Certification B.V.

71-102672

UL-Approvals

Logo

Approval

Certificate name



UR  
Underwriters Laboratories Inc.

E45171

Compatible products

tools



Item no.: 2070-400

[www.wago.com/2070-400](http://www.wago.com/2070-400)

Downloads

smartDATA

PCB libraries

DesignSpark Library for WAGO PCB Terminal Blocks Compatible with DesignSpark PCB Version 4.x or higher	2.1 06-Oct-2014	ZIP 22.5 MB	Download
TARGET Library for WAGO PCB Terminal Blocks Compatible with TARGET PCB Design Software Version 17.x	1.1.0 06-Oct-2014	ZIP 27.1 MB	Download
EAGLE Library for WAGO PCB Terminal Blocks Compatible with EAGLE PCB Design Software Version 6.x or higher	2.1 17-Nov-2017	ZIP 23.9 MB	Download

CAD data

3D Download 2070-521/998-406	URL	Download
------------------------------	-----	----------



Subject to changes.

---

WAGO Kontakttechnik GmbH & Co. KG  
Hansastr. 27  
32423 Minden  
Phone: +49571 887-0 | Fax: +49571 887-169  
Email: [info.de@wago.com](mailto:info.de@wago.com) | Web: [www.wago.com](http://www.wago.com)

Do you have any questions about our products?  
We are always happy to take your call at +49 (571) 887-44222.