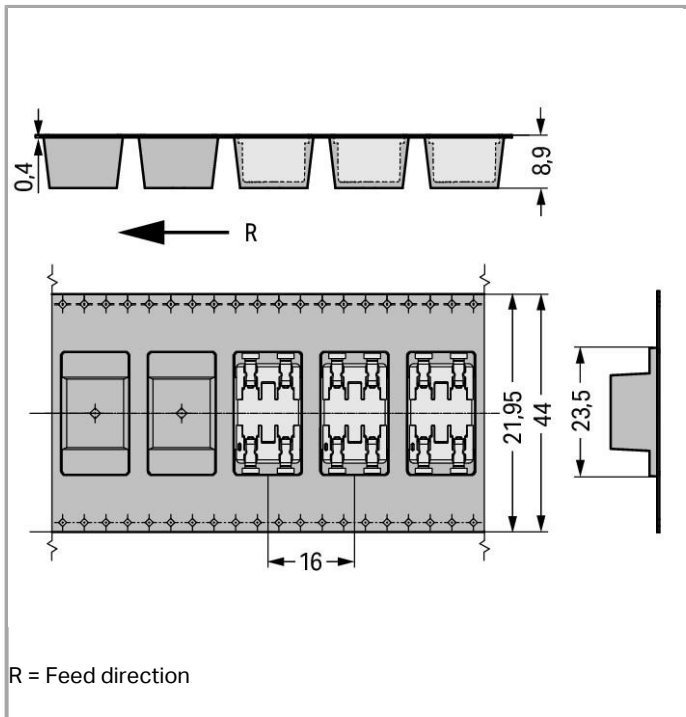
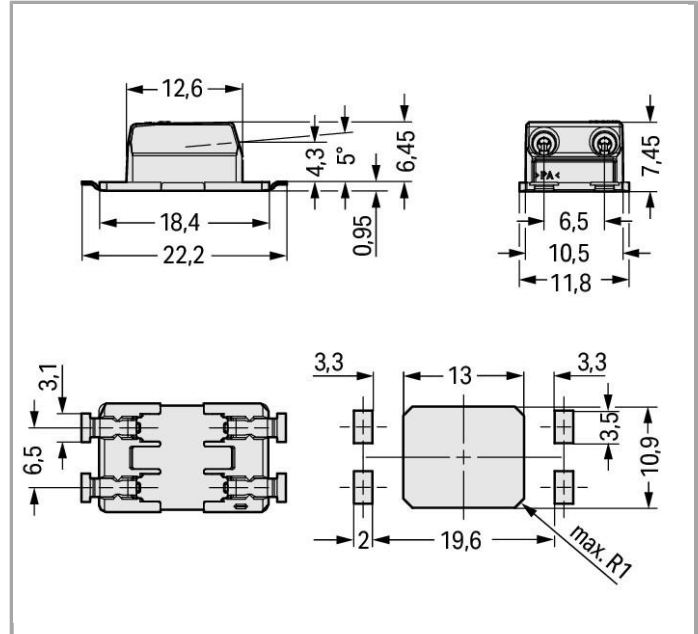
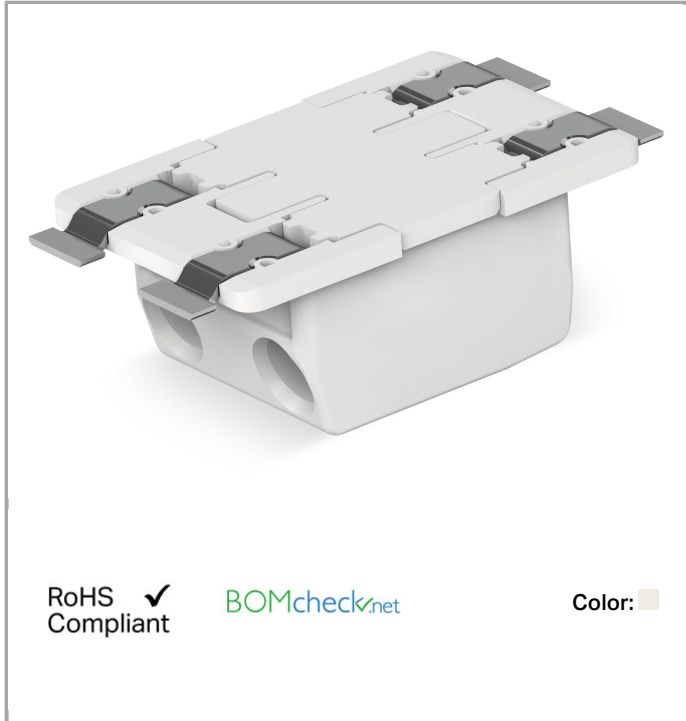


Data sheet | Item number: 2070-542/998-406

SMD PCB ; 0.75 mm²; 6.5 mm; 2; Push-in CAGE CLAMP®;

www.wago.com/2070-542_998-406



Item description



- SMD PCB
- 4.5 mmPCB
-

Data

Ratings per IEC/EN 60664-1

	Electrical Data for FR4 PCB Type
(III / 3)	320 V
(III / 3)	4 kV
(III / 2)	320 V
(III / 2)	4 kV
(II / 2)	630 V
(II / 2)	4 kV
	9 A
2	IEC/EN 60664-1
	Electrical Data for Metal-Core PCBs
2	
(III / 3) 2	200 V
(III / 3) 2	4 kV
(III / 2) 2	320 V
(III / 2) 2	4 kV
(II / 2) 2	500 V
(II / 2) 2	4 kV
2	9 A
	(III / 2) ≧ III / 2
	0.2 ... 0.75 mm ² / 24 ... 18 AWG
	0.2 ... 0.75 mm ² / 24 ... 18 AWG
	8.5 ... 10 mm / 0.33 ... 0.39 Inch
PCB	0°
	2
	1
	2
	2
	1



Geometrical Data

	6.5 mm (0.256 inch)
	11.8 mm / 0.465 inch
	7.45 mm / 0.293 inch
	22.2 mm / 0.874 inch
	330 mm
	44 mm
	with Cover
	Through-board
	- +

PCB contact

PCB	SMD
	I
	(PPA-GF)
UL94	V0
	1.278 g

Environmental Requirements

	-60 ... +105 C
Country of origin	CH
GTIN	4055143645119
Customs Tariff No.	85369010000

Approvals / Certificates

Country specific Approvals

Logo	Approval	Certificate name
	KEMA/KEUR DEKRA Certification B.V.	71-102671




KEMA/KEUR
DEKRA Certification B.V.

71-102672



UL-Approvals

Logo	Approval	Certificate name
	UR Underwriters Laboratories Inc.	E45171

Compatible products

tools



Item no.: 2070-400

www.wago.com/2070-400

Downloads

smartDATA

PCB libraries

DesignSpark Library for WAGO PCB Terminal Blocks Compatible with DesignSpark PCB Version 4.x or higher	2.1 06-Oct-2014	ZIP 22.5 MB	Download
EAGLE Library for WAGO PCB Terminal Blocks Compatible with EAGLE PCB Design Software Version 6.x or higher	2.1 17-Nov-2017	ZIP 23.9 MB	Download
TARGET Library for WAGO PCB Terminal Blocks Compatible with TARGET PCB Design Software Version 17.x	1.1.0 06-Oct-2014	ZIP 27.1 MB	Download

CAD data

3D Download 2070-542/998-406	URL	Download
------------------------------	-----	----------



Subject to changes.

WAGO Kontakttechnik GmbH & Co. KG

Hansastr. 27

32423 Minden

Phone: +49571 887-0 | Fax: +49571 887-169

Email: info.de@wago.com | Web: www.wago.com

Do you have any questions about our products?

We are always happy to take your call at +49 (571) 887-44222.