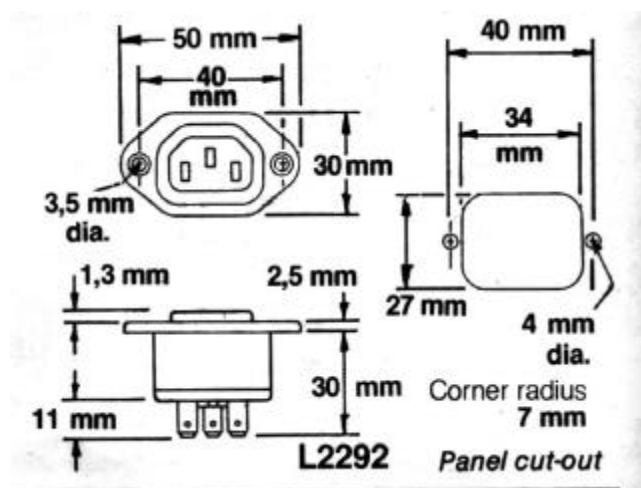


L2292 REVERSE SEX, 3 POLE OUTLET

Mating faces comply with CEE 22 (IEC320). Designed for power supply inter-connections between equipment where power is taken from a single point. The connector for this outlet (L2295) is an obsolete part.

CURRENT RATING:	6 A
OPERATING VOLTAGE:	240 V a.c.
WITHDRAWAL FORCE::	20N to 45N
TEMPERATURE (AMBIENT):	-40°C to +60°C
INSULATION RESISTANCE BETWEEN SUPPLY POLES:	≥2 megohms
ELSEWHERE:	≥5 megohms
MATERIALS: CONTACTS:	Silver plated brass
BODY:	Nylon
TERMINATIONS:	Accepts solderless snap-on connectors 6.3 x 0.81mm, or solder
FLAMABILITY:	UL94 VO

ORDERING REFERENCE: L2292



BLP reserve the right to change without prior notice the information contained within this leaflet

BLP Components Ltd., Exning Road, Newmarket, Suffolk, CB8 0AX, England
Tel: +44 (0)1638 665161 Fax: +44 (0)1638 660718 email: sales@blpcomp.com <http://www.blpcomp.com>