



Description

The 83-17547 allows you to clear out your desk surface, while providing an ergonomic working position. It is designed to use with 13" – 27" monitors. The weight capability is 8kg/17.6lbs for each arm. Full motion structure allows maximum flexibility - extends, tilt and swivel your monitor for easy viewing. Its ball-joint structure allows smooth, effortless rotating and positioning for any direction, making it easy to reduce glare and find the perfect viewing angle. You can also adjust the monitor vertically to a desired position. Besides, cable clip is included for organizing cables.

Features

- Two mounting options both desk clamp and grommet are included
- 360° Rotary VESA plate for more viewing experience
- Freely adjusting height for an optimal ergonomic position
- Cable management keeps everything organized

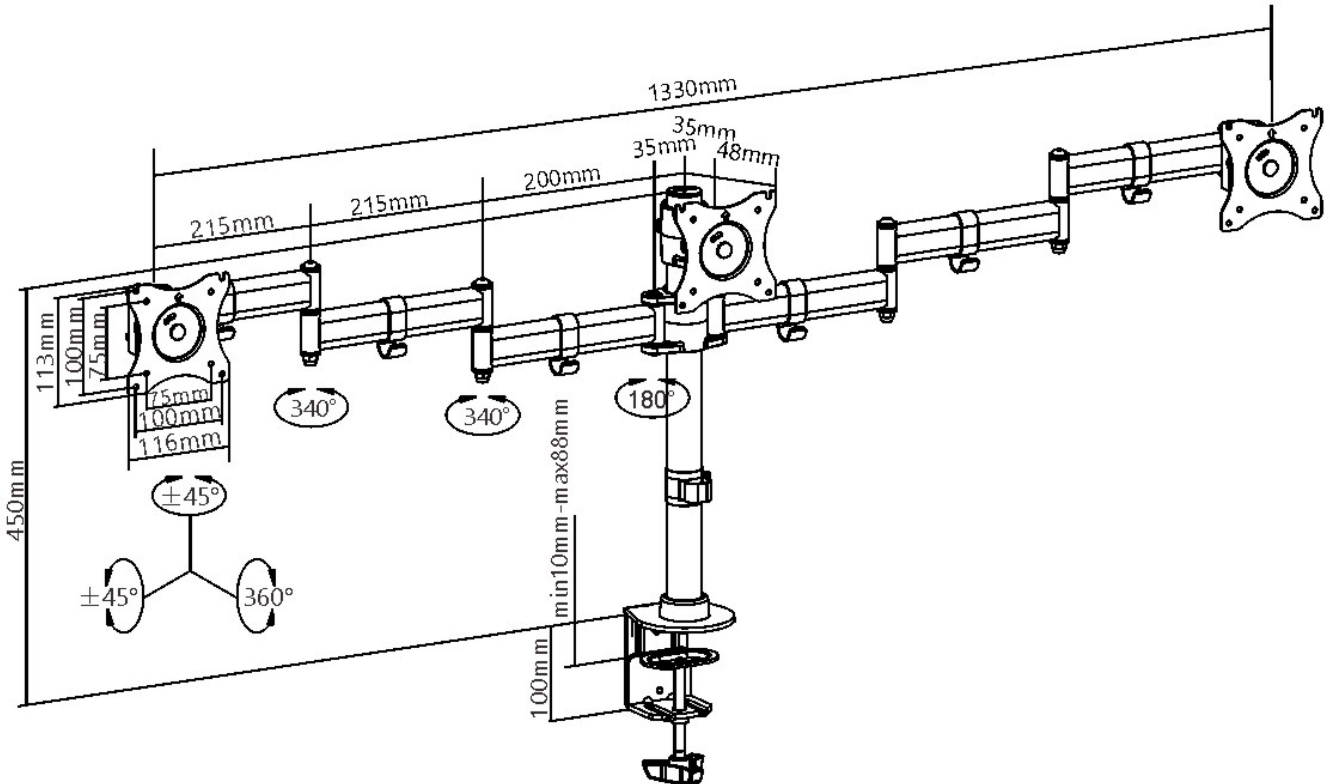
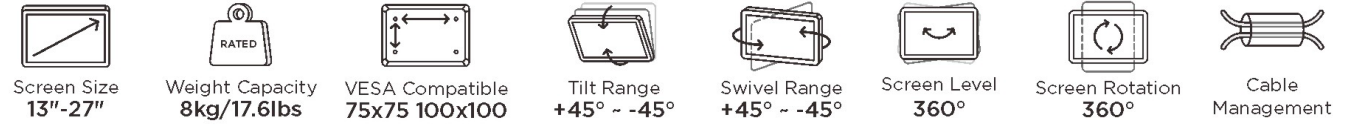
Specifications

Type	: Articulating Monitor Arm
Material	: Aluminium, Plastic, Steel
Surface Finish	: Powder Coating
Colour	: Slate Black
Dimensions	: 1448mm × 120mm × 550mm (57" × 4.7" × 21.7")
Installation	: Grommet, Clamp
Suggested Screen Size	: 13" – 27"
Fit Curved Monitor	: No
Screen Quantity	: 3
Monitor Weight Capacity (per screen)	: 8kg (17.6lbs)
VESA Compatible	: 75 × 75, 100 × 100
Tilt Range	: +45° to -45°
Swivel Range	: +45° to -45°
Screen Rotation	: +180° to -180°
Arm Full Extension	: 630mm (24.8")
Pole Height	: 450mm (17.7")
Suggested Desktop Thickness	: Clamp: 10mm to 88mm / Grommet: 10mm to 80mm
Quick Release VESA Plate	: No
Cable Management	: Yes
Anti-theft	: No
Instruction Manual Included	: Yes

Triple LCD VESA Desk Mount

pro-SIGNAL

Diagram



Part Number Table

Description	Part Number
Triple LCD VESA Desk Mount, 13"-27" LCD Monitors, Steel	83-17547

Important Notice : This data sheet and its contents (the "Information") belong to the members of the Premier Farnell group of companies (the "Group") or are licensed to it. No licence is granted for the use of it other than for information purposes in connection with the products to which it relates. No licence of any intellectual property rights is granted. The Information is subject to change without notice and replaces all data sheets previously supplied. The Information supplied is believed to be accurate but the Group assumes no responsibility for its accuracy or completeness, any error in or omission from it or for any use made of it. Users of this data sheet should check for themselves the Information and the suitability of the products for their purpose and not make any assumptions based on information included or omitted. Liability for loss or damage resulting from any reliance on the Information or use of it (including liability resulting from negligence or where the Group was aware of the possibility of such loss or damage arising) is excluded. This will not operate to limit or restrict the Group's liability for death or personal injury resulting from its negligence. pro-SIGNAL is the registered trademark of the Group. © Premier Farnell Limited 2016.

www.element14.com
www.farnell.com
www.newark.com
www.ppc.co.uk

pro-SIGNAL