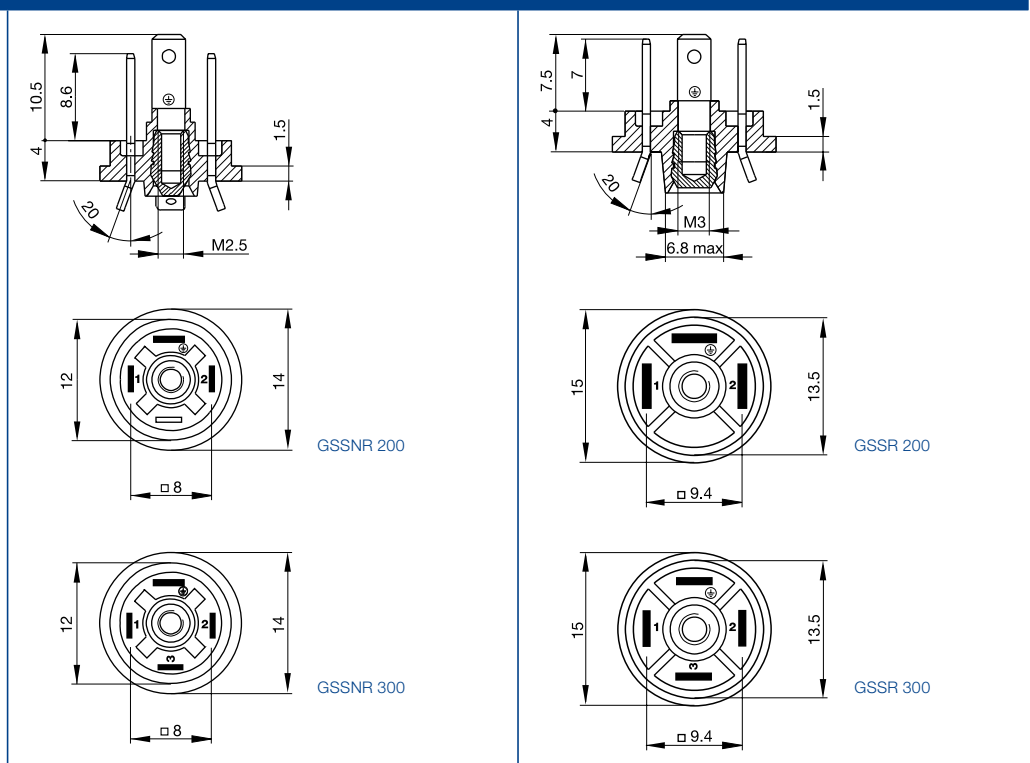


GDM Series Rectangular Connectors, Type C as per Industrial Standard, Surface Mounted Male Connectors, DIN Standard and Industrial Standard, without Circuit

Technical Information

Product Description		
Order Designation	GSSNR x00	GSSR x00
		
Description	Male appliance connector with central screw, design for extrusion-coating or potting, standard DIN EN 175 301-803-C, closed nut	Male appliance connector with central screw, design for extrusion-coating or potting, industrial standard (9.4 mm), closed nut
RoHS-Compliant (2011/65/EU)	Yes	
(Construction Type) Standard	DIN EN 175 301-803	Industrial standard
Approvals	UR, VDE, SEV, CSA	
Technical Data		
No. of Pins	2 + PE, 3 + PE	
Ambient Temperature	-40 °C to +125 °C	
Housing/Grip/Screw Coupling	PA 66	
Contact Holder	PA 66	
Contact	CuZn, tin-plated	
Mechanical Data		
Degree of Protection	IP65 (gasket required, only when mated with Hirschmann/Lumberg counterparts)	
Terminal Type	Solder	
Electrical Data		
Contact Resistance	≤ 10 mΩ	
Rated Voltage	250 V AC/DC	
Rated Current	6 A	
Pollution Degree	3	
Accessories		
Scope of Delivery or Accessories (incl.)	Items supplied in one package: 200	
Accessories to be Ordered Separately	-	

Technical Drawing



Be Certain with Belden

Order Information

Order No.	Order Designation	No. of Pins	Terminal Type
933115100	GSSR 200	2 + PE	solder
933114100	GSSR 300	3 + PE	solder
933113100	GSSNR 200	2 + PE	solder
933112100	GSSNR 300	3 + PE	solder