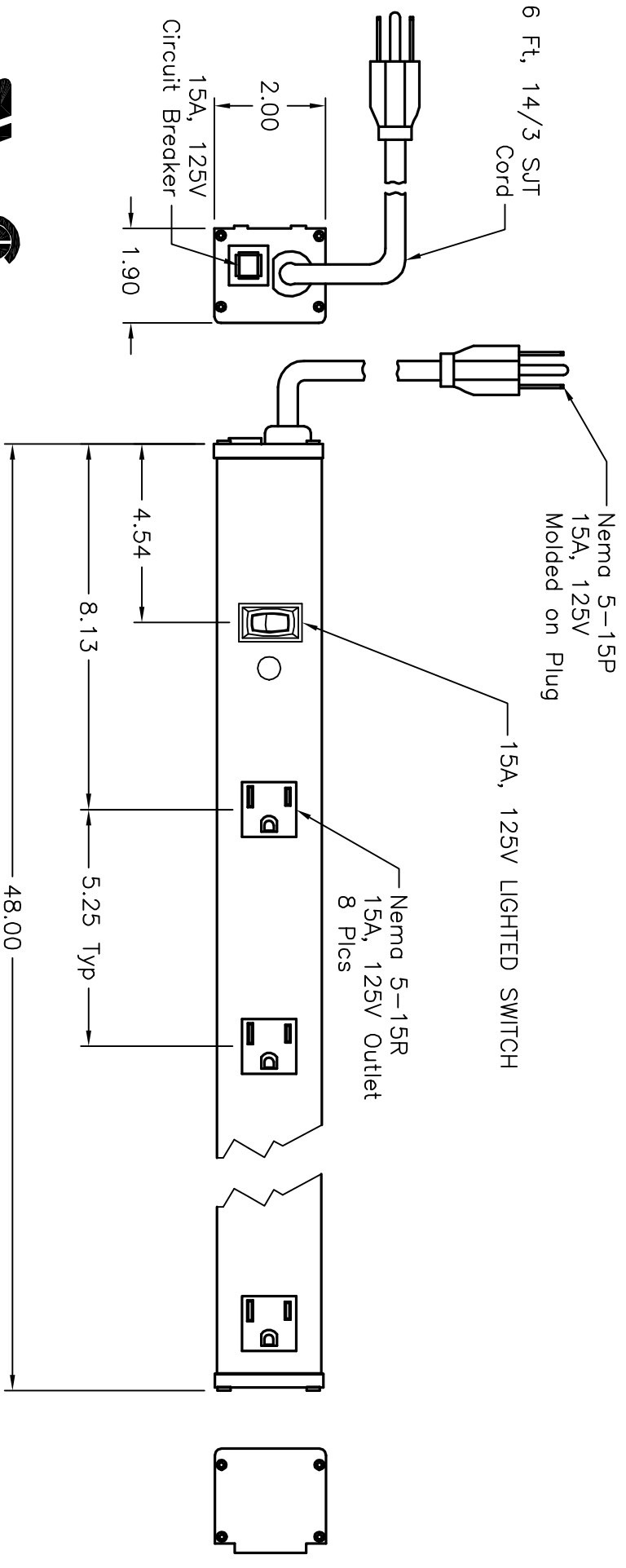


ALL RIGHTS RESERVED. NO PORTION OF THIS PUBLICATION, WHETHER IN WHOLE OR IN PART CAN BE REPRODUCED WITHOUT THE EXPRESS WRITTEN CONSENT OF SPC TECHNOLOGY.

REVISIONS		DOC. NO.	SPC-F005 * Effective: 12/21/98 * DCP No: 680					
DCP #	REV	DESCRIPTION	DRAWN	DATE	CHECKD	DATE	APPRVD	DATE
1278	A	RELEASED	JWM	12/11/01	HO	12/11/01	DJC	12/12/01



DISCLAIMER:
 ALL STATEMENTS AND TECHNICAL INFORMATION CONTAINED HEREIN ARE BASED UPON INFORMATION AND/OR TESTS WE BELIEVE TO BE ACCURATE AND RELIABLE. SINCE CONDITIONS OF USE ARE BEYOND OUR CONTROL, THE USER SHALL DETERMINE THE SUITABILITY OF THE PRODUCT FOR THE INTENDED USE AND ASSUME ALL RISK AND LIABILITY WHATSOEVER IN CONNECTION THEREWITH.



Tolerances: Unless Otherwise Specified:	
X = ±.100	
.XX = ±.020	
.XXX = ±.005	
Angles = ±1°	

DRAWING TITLE: Rack Mounted, Industrial Outlet Strip	
DRAWN BY: Jeff McVicker	DATE: 12/11/01
CHECKED BY: Hisham Odish	DATE: 12/11/01
APPROVED BY: Daniel Carey	DATE: 12/12/01
SIZE: A	DWG. NO.: SPC11103
SCALE: NTS	U.O.M.: INCHES [mm]
ELECTRONIC FILE: 32C2080.dwg	REV: A
SHEET: 1	OF 1