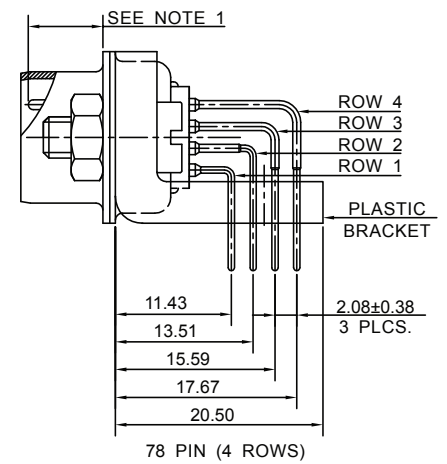
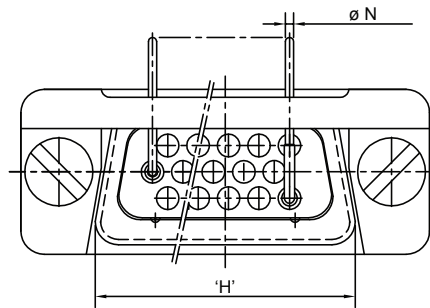
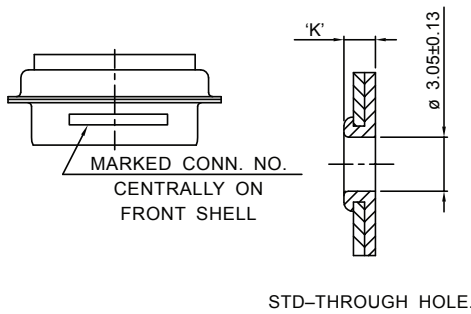
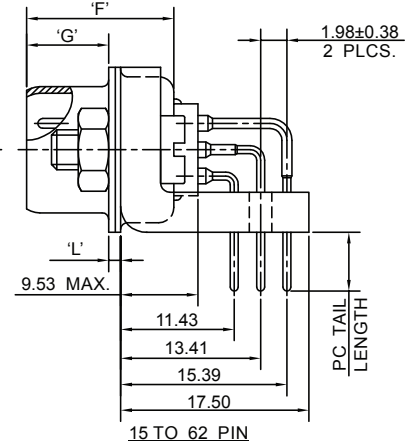
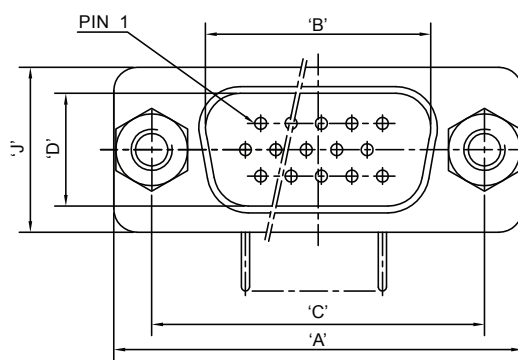


HIGH DENSITY RIGHT ANGLE PC TAIL-PLUG



Note 1: Dimensions are 3.81 mm minimum (for size 3, 4, 5) and 4.04 mm minimum (for size 1, 2)

Dimensions (mm)													
Shell Size	High Density Contacts	A	B	C	D	E	F	G	H	J	K	L	PC Tail Length
													X
1	15	30.43 31.19	16.79 17.04	24.87 25.12	8.23 8.48	12.17 12.93	10.46	5.82	19.02 19.53	10.46 10.97	0.89	0.51	2.51 3.91
2	26	38.76 39.52	25.12 25.37	33.20 33.45			10.97	6.12	27.25 27.76		1.52	1.02	
3	44	52.65 53.42	38.84 39.09	46.91 47.17			10.57 11.07	5.69 5.99	41.02 41.53		1.27 1.78	0.74 1.24	
4	62	68.94 69.70	55.30 55.55	63.37 63.63			11.07 11.33	14.99 15.75	55.07 55.58		13.31 13.82		
5	78	66.55 67.31	52.68 52.93	60.99 61.24									

* Dimensions A-L: Top # min., Bottom # max.

PC TAIL APPLICATION DATA & DIMENSIONS

Dimensions (mm)				
Dash Number (M24308/23-)	Application Board Thickness	Nominal Pin Diameter	PC Tail Length	Pin Diameter (N)
1 to 5	2.39	0.76	4.70 3.30	0.84 0.69
7 to 11	3.18	0.76	5.33 3.94	0.84 0.69
13 to 17	2.39	1.02	4.70 3.30	1.09 0.94
19 to 23	3.18	1.02	5.33 3.94	1.09 0.94
25 to 29	1.57	0.76	3.91 2.51	0.84 0.69
31 to 35	2.39	0.76	4.70 3.30	0.84 0.69
37 to 41	1.57	1.02	3.91 2.51	1.09 0.94
43 to 37	2.39	1.02	4.70 3.30	1.09 0.94
49 to 53	3.18	0.76	5.33 3.94	0.84 0.69
55 to 59	3.18	1.02	5.33 3.94	1.09 0.94
61 to 65	2.39	0.51	4.70 3.30	0.58 0.43
67 to 71	3.18	0.51	8.13 6.99	0.58 0.43
73 to 77	1.57	0.51	3.91 2.51	0.58 0.43

Dimensions (mm)				
Dash Number (M24308/24-)	Application Board Thickness	Nominal Pin Diameter	PC Tail Length	Pin Diameter (N)
1 to 5	2.39	0.76	4.70 3.30	0.84 0.69
7 to 11	3.18	0.76	5.33 3.94	0.84 0.69
13 to 17	2.39	1.02	4.70 3.30	1.09 0.94
19 to 23	3.18	1.02	5.33 3.94	1.09 0.94
25 to 29	1.57	0.76	3.91 2.51	0.84 0.69
31 to 35	2.39	0.76	4.70 3.30	0.84 0.69
37 to 41	1.57	1.02	3.91 2.51	1.09 0.94
43 to 37	2.39	1.02	4.70 3.30	1.09 0.94
49 to 53	3.18	0.76	5.33 3.94	0.84 0.69
55 to 59	3.18	1.02	5.33 3.94	1.09 0.94
61 to 65	2.39	0.51	4.70 3.30	0.58 0.43
67 to 71	3.18	0.51	8.13 6.99	0.58 0.43
73 to 77	1.57	0.51	3.91 2.51	0.58 0.43

* PC Tail length & Pin Diameter: Top # max., Bottom # min.

APPROVED QPL LIST

Military	Manufacturers Designation	Type	No. Of Pins	*Contact	*IR	Shell Material	Finish	Pg.
M24308/1-12Z	M2000/1-12Z	Standard	9	Socket	N/A	Steel	Zinc YP	20-21
M24308/1-13Z	M2000/1-13Z	Standard	15	Socket	N/A	Steel	Zinc YP	20-21
M24308/1-14Z	M2000/1-14Z	Standard	25	Socket	N/A	Steel	Zinc YP	20-21
M24308/1-15Z	M2000/1-15Z	Standard	37	Socket	N/A	Steel	Zinc YP	20-21
M24308/1-16Z	M2000/1-16Z	Standard	50	Socket	N/A	Steel	Zinc YP	20-21
M24308/1-23Z	M2000/1-23Z	Standard	9	Socket	N/A	Steel	Zinc YP	20-21
M24308/1-24Z	M2000/1-24Z	Standard	15	Socket	N/A	Steel	Zinc YP	20-21
M24308/1-25Z	M2000/1-25Z	Standard	25	Socket	N/A	Steel	Zinc YP	20-21
M24308/1-26Z	M2000/1-26Z	Standard	37	Socket	N/A	Steel	Zinc YP	20-21
M24308/1-27Z	M2000/1-27Z	Standard	50	Socket	N/A	Steel	Zinc YP	20-21
M24308/1-12K	M2000/1-12K	Standard	9	Socket	N/A	Steel	Zinc Nickel	20-21
M24308/1-13K	M2000/1-13K	Standard	15	Socket	N/A	Steel	Zinc Nickel	20-21
M24308/1-14K	M2000/1-14K	Standard	25	Socket	N/A	Steel	Zinc Nickel	20-21
M24308/1-15K	M2000/1-15K	Standard	37	Socket	N/A	Steel	Zinc Nickel	20-21
M24308/1-16K	M2000/1-16K	Standard	50	Socket	N/A	Steel	Zinc Nickel	20-21
M24308/1-23K	M2000/1-23K	Standard	9	Socket	N/A	Steel	Zinc Nickel	20-21
M24308/1-24K	M2000/1-24K	Standard	15	Socket	N/A	Steel	Zinc Nickel	20-21
M24308/1-25K	M2000/1-25K	Standard	25	Socket	N/A	Steel	Zinc Nickel	20-21
M24308/1-26K	M2000/1-26K	Standard	37	Socket	N/A	Steel	Zinc Nickel	20-21
M24308/1-27K	M2000/1-27K	Standard	50	Socket	N/A	Steel	Zinc Nickel	20-21
M24308/1-45	M2000/1-45	Standard	9	Socket	N/A	Steel	Nickel	20-21
M24308/1-46	M2000/1-46	Standard	15	Socket	N/A	Steel	Nickel	20-21
M24308/1-47	M2000/1-47	Standard	25	Socket	N/A	Steel	Nickel	20-21
M24308/1-48	M2000/1-48	Standard	37	Socket	N/A	Steel	Nickel	20-21
M24308/1-49	M2000/1-49	Standard	50	Socket	N/A	Steel	Nickel	20-21
M24308/1-56	M2000/1-56	Standard	9	Socket	N/A	Steel	Nickel	20-21
M24308/1-57	M2000/1-57	Standard	15	Socket	N/A	Steel	Nickel	20-21
M24308/1-58	M2000/1-58	Standard	25	Socket	N/A	Steel	Nickel	20-21
M24308/1-59	M2000/1-59	Standard	37	Socket	N/A	Steel	Nickel	20-21
M24308/1-60	M2000/1-60	Standard	50	Socket	N/A	Steel	Nickel	20-21
M24308/1-1F	M20000/1-1F	Standard	9	Socket	N/A	Steel	Cadmium YP	20-21
M24308/1-2F	M20000/1-2F	Standard	15	Socket	N/A	Steel	Cadmium YP	20-21
M24308/1-3F	M20000/1-3F	Standard	25	Socket	N/A	Steel	Cadmium YP	20-21
M24308/1-4F	M20000/1-4F	Standard	37	Socket	N/A	Steel	Cadmium YP	20-21
M24308/1-5F	M20000/1-5F	Standard	50	Socket	N/A	Steel	Cadmium YP	20-21
M24308/1-1Z	M20000/1-1Z	Standard	9	Socket	N/A	Steel	Zinc YP	20-21
M24308/1-2Z	M20000/1-2Z	Standard	15	Socket	N/A	Steel	Zinc YP	20-21
M24308/1-3Z	M20000/1-3Z	Standard	25	Socket	N/A	Steel	Zinc YP	20-21
M24308/1-4Z	M20000/1-4Z	Standard	37	Socket	N/A	Steel	Zinc YP	20-21
M24308/1-5Z	M20000/1-5Z	Standard	50	Socket	N/A	Steel	Zinc YP	20-21
M24308/1-34	M2000/1-34	Standard	9	Socket	N/A	Steel	Nickel	20-21
M24308/1-35	M2000/1-35	Standard	15	Socket	N/A	Steel	Nickel	20-21
M24308/1-36	M2000/1-36	Standard	25	Socket	N/A	Steel	Nickel	20-21
M24308/1-37	M2000/1-37	Standard	37	Socket	N/A	Steel	Nickel	20-21

* Y- Supplied w/ Connector, N: not supplied w/ Connector, N/A: Not Applicable

Finish: YP- Yellow Passivation

Military	Manufacturers Designation	Type	No. Of Pins	*Contact	*IR	Shell Material	Finish	Pg.
M24308/1-38	M2000/1-38	Standard	50	Socket	N/A	Steel	Nickel	20-21
M24308/1-1K	M2000/1-1K	Standard	9	Socket	N/A	Steel	Zinc Nickel Black	20-21
M24308/1-2K	M2000/1-2K	Standard	15	Socket	N/A	Steel	Zinc Nickel Black	20-21
M24308/1-3K	M2000/1-3K	Standard	25	Socket	N/A	Steel	Zinc Nickel Black	20-21
M24308/1-4K	M2000/1-4K	Standard	37	Socket	N/A	Steel	Zinc Nickel Black	20-21
M24308/1-5K	M2000/1-5K	Standard	50	Socket	N/A	Steel	Zinc Nickel Black	20-21
M24308/2-1F	M2000/2-1F	Standard	9	Socket	N	Steel	Cadmium YP	16-19
M24308/2-2F	M2000/2-2F	Standard	15	Socket	N	Steel	Cadmium YP	16-19
M24308/2-3F	M2000/2-3F	Standard	25	Socket	N	Steel	Cadmium YP	16-19
M24308/2-4F	M2000/2-4F	Standard	37	Socket	N	Steel	Cadmium YP	16-19
M24308/2-5F	M2000/2-5F	Standard	50	Socket	N	Steel	Cadmium YP	16-19
M24308/2-6F	M2000/2-6F	Standard	9	Socket	Y	Steel	Cadmium YP	16-19
M24308/2-7F	M2000/2-7F	Standard	15	Socket	Y	Steel	Cadmium YP	16-19
M24308/2-8F	M2000/2-8F	Standard	25	Socket	Y	Steel	Cadmium YP	16-19
M24308/2-9F	M2000/2-9F	Standard	37	Socket	Y	Steel	Cadmium YP	16-19
M24308/2-10F	M2000/2-10F	Standard	50	Socket	Y	Steel	Cadmium YP	16-19
M24308/2-281F	M2000/2-281F	Standard	9	N	N	Steel	Cadmium YP	16-19
M24308/2-282F	M2000/2-282F	Standard	15	N	N	Steel	Cadmium YP	16-19
M24308/2-283F	M2000/2-283F	Standard	25	N	N	Steel	Cadmium YP	16-19
M24308/2-284F	M2000/2-284F	Standard	37	N	N	Steel	Cadmium YP	16-19
M24308/2-285F	M2000/2-285F	Standard	50	N	N	Steel	Cadmium YP	16-19
M24308/2-11F	M2000/2-11F	High Density	15	Socket	N	Steel	Cadmium YP	16-19
M24308/2-12F	M2000/2-12F	High Density	26	Socket	N	Steel	Cadmium YP	16-19
M24308/2-13F	M2000/2-13F	High Density	44	Socket	N	Steel	Cadmium YP	16-19
M24308/2-14F	M2000/2-14F	High Density	62	Socket	N	Steel	Cadmium YP	16-19
M24308/2-15F	M2000/2-15F	High Density	78	Socket	N	Steel	Cadmium YP	16-19
M24308/2-16F	M2000/2-16F	High Density	104	Socket	N	Steel	Cadmium YP	16-19
M24308/2-17F	M2000/2-17F	High Density	15	Socket	Y	Steel	Cadmium YP	16-19
M24308/2-18F	M2000/2-18F	High Density	26	Socket	Y	Steel	Cadmium YP	16-19
M24308/2-19F	M2000/2-19F	High Density	44	Socket	Y	Steel	Cadmium YP	16-19
M24308/2-20F	M2000/2-20F	High Density	62	Socket	Y	Steel	Cadmium YP	16-19
M24308/2-21F	M2000/2-21F	High Density	78	Socket	Y	Steel	Cadmium YP	16-19
M24308/2-22F	M2000/2-22F	High Density	104	Socket	Y	Steel	Cadmium YP	16-19
M24308/2-286F	M2000/2-286F	High Density	15	N	N	Steel	Cadmium YP	16-19
M24308/2-287F	M2000/2-287F	High Density	26	N	N	Steel	Cadmium YP	16-19
M24308/2-288F	M2000/2-288F	High Density	44	N	N	Steel	Cadmium YP	16-19
M24308/2-289F	M2000/2-289F	High Density	62	N	N	Steel	Cadmium YP	16-19
M24308/2-290F	M2000/2-290F	High Density	78	N	N	Steel	Cadmium YP	16-19
M24308/2-291F	M2000/2-291F	High Density	104	N	N	Steel	Cadmium YP	16-19
M24308/2-1Z	M2000/2-1Z	Standard	9	Socket	N	Steel	Zinc YP	16-19
M24308/2-2Z	M2000/2-2Z	Standard	15	Socket	N	Steel	Zinc YP	16-19
M24308/2-3Z	M2000/2-3Z	Standard	25	Socket	N	Steel	Zinc YP	16-19
M24308/2-4Z	M2000/2-4Z	Standard	37	Socket	N	Steel	Zinc YP	16-19
M24308/2-5Z	M2000/2-5Z	Standard	50	Socket	N	Steel	Zinc YP	16-19
M24308/2-6Z	M2000/2-6Z	Standard	9	Socket	Y	Steel	Zinc YP	16-19
M24308/2-7Z	M2000/2-7Z	Standard	15	Socket	Y	Steel	Zinc YP	16-19

* Y- Supplied w/ Connector, N: not supplied w/ Connector, N/A: Not Applicable

Finish: YP- Yellow Passivation

Military	Manufacturers Designation	Type	No. Of Pins	*Contact	*IR	Shell Material	Finish	Pg.
M24308/2-8Z	M2000/2-8Z	Standard	25	Socket	Y	Steel	Zinc YP	16-19
M24308/2-9Z	M2000/2-9Z	Standard	37	Socket	Y	Steel	Zinc YP	16-19
M24308/2-10Z	M2000/2-10Z	Standard	50	Socket	Y	Steel	Zinc YP	16-19
M24308/2-281Z	M2000/2-281Z	Standard	9	N	N	Steel	Zinc YP	16-19
M24308/2-282Z	M2000/2-282Z	Standard	15	N	N	Steel	Zinc YP	16-19
M24308/2-283Z	M2000/2-283Z	Standard	25	N	N	Steel	Zinc YP	16-19
M24308/2-284Z	M2000/2-284Z	Standard	37	N	N	Steel	Zinc YP	16-19
M24308/2-285Z	M2000/2-285Z	Standard	50	N	N	Steel	Zinc YP	16-19
M24308/2-11Z	M2000/2-11Z	High Density	15	Socket	N	Steel	Zinc YP	16-19
M24308/2-12Z	M2000/2-12Z	High Density	26	Socket	N	Steel	Zinc YP	16-19
M24308/2-13Z	M2000/2-13Z	High Density	44	Socket	N	Steel	Zinc YP	16-19
M24308/2-14Z	M2000/2-14Z	High Density	62	Socket	N	Steel	Zinc YP	16-19
M24308/2-15Z	M2000/2-15Z	High Density	78	Socket	N	Steel	Zinc YP	16-19
M24308/2-16Z	M2000/2-16Z	High Density	104	Socket	N	Steel	Zinc YP	16-19
M24308/2-17Z	M2000/2-17Z	High Density	15	Socket	Y	Steel	Zinc YP	16-19
M24308/2-18Z	M2000/2-18Z	High Density	26	Socket	Y	Steel	Zinc YP	16-19
M24308/2-19Z	M2000/2-19Z	High Density	44	Socket	Y	Steel	Zinc YP	16-19
M24308/2-20Z	M2000/2-20Z	High Density	62	Socket	Y	Steel	Zinc YP	16-19
M24308/2-21Z	M2000/2-21Z	High Density	78	Socket	Y	Steel	Zinc YP	16-19
M24308/2-22Z	M2000/2-22Z	High Density	104	Socket	Y	Steel	Zinc YP	16-19
M24308/2-286Z	M2000/2-286Z	High Density	15	N	N	Steel	Zinc YP	16-19
M24308/2-287Z	M2000/2-287Z	High Density	26	N	N	Steel	Zinc YP	16-19
M24308/2-288Z	M2000/2-288Z	High Density	44	N	N	Steel	Zinc YP	16-19
M24308/2-289Z	M2000/2-289Z	High Density	62	N	N	Steel	Zinc YP	16-19
M24308/2-290Z	M2000/2-290Z	High Density	78	N	N	Steel	Zinc YP	16-19
M24308/2-291Z	M2000/2-291Z	High Density	104	N	N	Steel	Zinc YP	16-19
M24308/2-1K	M2000/2-1K	Standard	9	Socket	N	Steel	Zinc Nickel	16-19
M24308/2-2K	M2000/2-2K	Standard	15	Socket	N	Steel	Zinc Nickel	16-19
M24308/2-3K	M2000/2-3K	Standard	25	Socket	N	Steel	Zinc Nickel	16-19
M24308/2-4K	M2000/2-4K	Standard	37	Socket	N	Steel	Zinc Nickel	16-19
M24308/2-5K	M2000/2-5K	Standard	50	Socket	N	Steel	Zinc Nickel	16-19
M24308/2-6K	M2000/2-6K	Standard	9	Socket	Y	Steel	Zinc Nickel	16-19
M24308/2-7K	M2000/2-7K	Standard	15	Socket	Y	Steel	Zinc Nickel	16-19
M24308/2-8K	M2000/2-8K	Standard	25	Socket	Y	Steel	Zinc Nickel	16-19
M24308/2-9K	M2000/2-9K	Standard	37	Socket	Y	Steel	Zinc Nickel	16-19
M24308/2-10K	M2000/2-10K	Standard	50	Socket	Y	Steel	Zinc Nickel	16-19
M24308/2-281K	M2000/2-281K	Standard	9	N	N	Steel	Zinc Nickel	16-19
M24308/2-282K	M2000/2-282K	Standard	15	N	N	Steel	Zinc Nickel	16-19
M24308/2-283K	M2000/2-283K	Standard	25	N	N	Steel	Zinc Nickel	16-19
M24308/2-284K	M2000/2-284K	Standard	37	N	N	Steel	Zinc Nickel	16-19
M24308/2-285K	M2000/2-285K	Standard	50	N	N	Steel	Zinc Nickel	16-19
M24308/2-11K	M2000/2-11K	High Density	15	Socket	N	Steel	Zinc Nickel	16-19
M24308/2-12K	M2000/2-12K	High Density	26	Socket	N	Steel	Zinc Nickel	16-19
M24308/2-13K	M2000/2-13K	High Density	44	Socket	N	Steel	Zinc Nickel	16-19
M24308/2-14K	M2000/2-14K	High Density	62	Socket	N	Steel	Zinc Nickel	16-19
M24308/2-15K	M2000/2-15K	High Density	78	Socket	N	Steel	Zinc Nickel	16-19

* Y- Supplied w/ Connector, N: not supplied w/ Connector, N/A: Not Applicable

Finish: YP- Yellow Passivation

Military	Manufacturers Designation	Type	No. Of Pins	*Contact	*IR	Shell Material	Finish	Pg.
M24308/2-16K	M2000/2-16K	High Density	104	Socket	N	Steel	Zinc Nickel	16-19
M24308/2-17K	M2000/2-17K	High Density	15	Socket	Y	Steel	Zinc Nickel	16-19
M24308/2-18K	M2000/2-18K	High Density	26	Socket	Y	Steel	Zinc Nickel	16-19
M24308/2-19K	M2000/2-19K	High Density	44	Socket	Y	Steel	Zinc Nickel	16-19
M24308/2-20K	M2000/2-20K	High Density	62	Socket	Y	Steel	Zinc Nickel	16-19
M24308/2-21K	M2000/2-21K	High Density	78	Socket	Y	Steel	Zinc Nickel	16-19
M24308/2-22K	M2000/2-22K	High Density	104	Socket	Y	Steel	Zinc Nickel	16-19
M24308/2-286K	M2000/2-286K	High Density	15	N	N	Steel	Zinc Nickel	16-19
M24308/2-287K	M2000/2-287K	High Density	26	N	N	Steel	Zinc Nickel	16-19
M24308/2-288K	M2000/2-288K	High Density	44	N	N	Steel	Zinc Nickel	16-19
M24308/2-289K	M2000/2-289K	High Density	62	N	N	Steel	Zinc Nickel	16-19
M24308/2-290K	M2000/2-290K	High Density	78	N	N	Steel	Zinc Nickel	16-19
M24308/2-291K	M2000/2-291K	High Density	104	N	N	Steel	Zinc Nickel	16-19
M24308/2-516	M2000/2-516	Standard	9	Socket	N	Steel	Nickel	16-19
M24308/2-517	M2000/2-517	Standard	15	Socket	N	Steel	Nickel	16-19
M24308/2-518	M2000/2-518	Standard	25	Socket	N	Steel	Nickel	16-19
M24308/2-519	M2000/2-519	Standard	37	Socket	N	Steel	Nickel	16-19
M24308/2-520	M2000/2-520	Standard	50	Socket	N	Steel	Nickel	16-19
M24308/2-521	M2000/2-521	Standard	9	Socket	Y	Steel	Nickel	16-19
M24308/2-522	M2000/2-522	Standard	15	Socket	Y	Steel	Nickel	16-19
M24308/2-523	M2000/2-523	Standard	25	Socket	Y	Steel	Nickel	16-19
M24308/2-524	M2000/2-524	Standard	37	Socket	Y	Steel	Nickel	16-19
M24308/2-525	M2000/2-525	Standard	50	Socket	Y	Steel	Nickel	16-19
M24308/2-560	M2000/2-560	Standard	9	N	N	Steel	Nickel	16-19
M24308/2-561	M2000/2-561	Standard	15	N	N	Steel	Nickel	16-19
M24308/2-562	M2000/2-562	Standard	25	N	N	Steel	Nickel	16-19
M24308/2-563	M2000/2-563	Standard	37	N	N	Steel	Nickel	16-19
M24308/2-564	M2000/2-564	Standard	50	N	N	Steel	Nickel	16-19
M24308/2-526	M2000/2-526	High Density	15	Socket	N	Steel	Nickel	16-19
M24308/2-527	M2000/2-527	High Density	26	Socket	N	Steel	Nickel	16-19
M24308/2-528	M2000/2-528	High Density	44	Socket	N	Steel	Nickel	16-19
M24308/2-529	M2000/2-529	High Density	62	Socket	N	Steel	Nickel	16-19
M24308/2-530	M2000/2-530	High Density	78	Socket	N	Steel	Nickel	16-19
M24308/2-531	M2000/2-531	High Density	104	Socket	N	Steel	Nickel	16-19
M24308/2-532	M2000/2-532	High Density	15	Socket	Y	Steel	Nickel	16-19
M24308/2-533	M2000/2-533	High Density	26	Socket	Y	Steel	Nickel	16-19
M24308/2-534	M2000/2-534	High Density	44	Socket	Y	Steel	Nickel	16-19
M24308/2-535	M2000/2-535	High Density	62	Socket	Y	Steel	Nickel	16-19
M24308/2-536	M2000/2-536	High Density	78	Socket	Y	Steel	Nickel	16-19
M24308/2-537	M2000/2-537	High Density	104	Socket	Y	Steel	Nickel	16-19
M24308/2-565	M2000/2-565	High Density	15	N	N	Steel	Nickel	16-19
M24308/2-566	M2000/2-566	High Density	26	N	N	Steel	Nickel	16-19
M24308/2-567	M2000/2-567	High Density	44	N	N	Steel	Nickel	16-19
M24308/2-568	M2000/2-568	High Density	62	N	N	Steel	Nickel	16-19
M24308/2-569	M2000/2-569	High Density	78	N	N	Steel	Nickel	16-19
M24308/2-570	M2000/2-570	High Density	104	N	N	Steel	Nickel	16-19

* Y- Supplied w/ Connector, N: not supplied w/ Connector, N/A: Not Applicable

Finish: YP- Yellow Passivation

Military	Manufacturers Designation	Type	No. Of Pins	*Contact	*IR	Shell Material	Finish	Pg.
M24308/2-23F	M2000/2-23F	Standard	9	Socket	N	Steel	Cadmium YP	16-19
M24308/2-24F	M2000/2-24F	Standard	15	Socket	N	Steel	Cadmium YP	16-19
M24308/2-25F	M2000/2-25F	Standard	25	Socket	N	Steel	Cadmium YP	16-19
M24308/2-26F	M2000/2-26F	Standard	37	Socket	N	Steel	Cadmium YP	16-19
M24308/2-27F	M2000/2-27F	Standard	50	Socket	N	Steel	Cadmium YP	16-19
M24308/2-34F	M2000/2-34F	Standard	9	Socket	Y	Steel	Cadmium YP	16-19
M24308/2-35F	M2000/2-35F	Standard	15	Socket	Y	Steel	Cadmium YP	16-19
M24308/2-36F	M2000/2-36F	Standard	25	Socket	Y	Steel	Cadmium YP	16-19
M24308/2-37F	M2000/2-37F	Standard	37	Socket	Y	Steel	Cadmium YP	16-19
M24308/2-38F	M2000/2-38F	Standard	50	Socket	Y	Steel	Cadmium YP	16-19
M24308/2-292F	M2000/2-292F	Standard	9	N	N	Steel	Cadmium YP	16-19
M24308/2-293F	M2000/2-293F	Standard	15	N	N	Steel	Cadmium YP	16-19
M24308/2-294F	M2000/2-294F	Standard	25	N	N	Steel	Cadmium YP	16-19
M24308/2-295F	M2000/2-295F	Standard	37	N	N	Steel	Cadmium YP	16-19
M24308/2-296F	M2000/2-296F	Standard	50	N	N	Steel	Cadmium YP	16-19
M24308/2-28F	M2000/2-28F	High Density	15	Socket	N	Steel	Cadmium YP	16-19
M24308/2-29F	M2000/2-29F	High Density	26	Socket	N	Steel	Cadmium YP	16-19
M24308/2-30F	M2000/2-30F	High Density	44	Socket	N	Steel	Cadmium YP	16-19
M24308/2-31F	M2000/2-31F	High Density	62	Socket	N	Steel	Cadmium YP	16-19
M24308/2-32F	M2000/2-32F	High Density	78	Socket	N	Steel	Cadmium YP	16-19
M24308/2-33F	M2000/2-33F	High Density	104	Socket	N	Steel	Cadmium YP	16-19
M24308/2-39F	M2000/2-39F	High Density	15	Socket	Y	Steel	Cadmium YP	16-19
M24308/2-40F	M2000/2-40F	High Density	26	Socket	Y	Steel	Cadmium YP	16-19
M24308/2-41F	M2000/2-41F	High Density	44	Socket	Y	Steel	Cadmium YP	16-19
M24308/2-42F	M2000/2-42F	High Density	62	Socket	Y	Steel	Cadmium YP	16-19
M24308/2-43F	M2000/2-43F	High Density	78	Socket	Y	Steel	Cadmium YP	16-19
M24308/2-44F	M2000/2-44F	High Density	104	Socket	Y	Steel	Cadmium YP	16-19
M24308/2-297F	M2000/2-297F	High Density	15	N	N	Steel	Cadmium YP	16-19
M24308/2-298F	M2000/2-298F	High Density	26	N	N	Steel	Cadmium YP	16-19
M24308/2-299F	M2000/2-299F	High Density	44	N	N	Steel	Cadmium YP	16-19
M24308/2-300F	M2000/2-300F	High Density	62	N	N	Steel	Cadmium YP	16-19
M24308/2-301F	M2000/2-301F	High Density	78	N	N	Steel	Cadmium YP	16-19
M24308/2-302F	M2000/2-302F	High Density	104	N	N	Steel	Cadmium YP	16-19
M24308/2-335F	M2000/2-335F	Standard	25	Socket	N	Steel	Cadmium YP	16-19
M24308/2-336F	M2000/2-336F	Standard	37	Socket	N	Steel	Cadmium YP	16-19
M24308/2-341F	M2000/2-341F	Standard	15	Socket	N	Steel	Cadmium YP	16-19
M24308/2-342F	M2000/2-342F	Standard	9	Socket	N	Steel	Cadmium YP	16-19
M24308/2-343F	M2000/2-343F	Standard	15	Socket	N	Steel	Cadmium YP	16-19
M24308/2-344F	M2000/2-344F	Standard	25	Socket	N	Steel	Cadmium YP	16-19
M24308/2-345F	M2000/2-345F	Standard	37	Socket	N	Steel	Cadmium YP	16-19
M24308/2-346F	M2000/2-346F	Standard	50	Socket	N	Steel	Cadmium YP	16-19
M24308/2-353F	M2000/2-353F	Standard	9	Socket	Y	Steel	Cadmium YP	16-19
M24308/2-354F	M2000/2-354F	Standard	15	Socket	Y	Steel	Cadmium YP	16-19
M24308/2-355F	M2000/2-355F	Standard	25	Socket	Y	Steel	Cadmium YP	16-19
M24308/2-356F	M2000/2-356F	Standard	37	Socket	Y	Steel	Cadmium YP	16-19
M24308/2-357F	M2000/2-357F	Standard	50	Socket	Y	Steel	Cadmium YP	16-19

* Y- Supplied w/ Connector, N: not supplied w/ Connector, N/A: Not Applicable

Finish: YP- Yellow Passivation

Military	Manufacturers Designation	Type	No. Of Pins	*Contact	*IR	Shell Material	Finish	Pg.
M24308/2-482F	M2000/2-482F	Standard	9	N	N	Steel	Cadmium YP	16-19
M24308/2-483F	M2000/2-483F	Standard	15	N	N	Steel	Cadmium YP	16-19
M24308/2-484F	M2000/2-484F	Standard	25	N	N	Steel	Cadmium YP	16-19
M24308/2-485F	M2000/2-485F	Standard	37	N	N	Steel	Cadmium YP	16-19
M24308/2-486F	M2000/2-486F	Standard	50	N	N	Steel	Cadmium YP	16-19
M24308/2-347F	M2000/2-347F	High Density	15	Socket	N	Steel	Cadmium YP	16-19
M24308/2-348F	M2000/2-348F	High Density	26	Socket	N	Steel	Cadmium YP	16-19
M24308/2-349F	M2000/2-349F	High Density	44	Socket	N	Steel	Cadmium YP	16-19
M24308/2-350F	M2000/2-350F	High Density	62	Socket	N	Steel	Cadmium YP	16-19
M24308/2-351F	M2000/2-351F	High Density	78	Socket	N	Steel	Cadmium YP	16-19
M24308/2-352F	M2000/2-352F	High Density	104	Socket	N	Steel	Cadmium YP	16-19
M24308/2-358F	M2000/2-358F	High Density	15	Socket	Y	Steel	Cadmium YP	16-19
M24308/2-359F	M2000/2-359F	High Density	26	Socket	Y	Steel	Cadmium YP	16-19
M24308/2-360F	M2000/2-360F	High Density	44	Socket	Y	Steel	Cadmium YP	16-19
M24308/2-361F	M2000/2-361F	High Density	62	Socket	Y	Steel	Cadmium YP	16-19
M24308/2-362F	M2000/2-362F	High Density	78	Socket	Y	Steel	Cadmium YP	16-19
M24308/2-363F	M2000/2-363F	High Density	104	Socket	Y	Steel	Cadmium YP	16-19
M24308/2-487F	M2000/2-487F	High Density	15	N	N	Steel	Cadmium YP	16-19
M24308/2-488F	M2000/2-488F	High Density	26	N	N	Steel	Cadmium YP	16-19
M24308/2-489F	M2000/2-489F	High Density	44	N	N	Steel	Cadmium YP	16-19
M24308/2-490F	M2000/2-490F	High Density	62	N	N	Steel	Cadmium YP	16-19
M24308/2-491F	M2000/2-491F	High Density	78	N	N	Steel	Cadmium YP	16-19
M24308/2-492F	M2000/2-492F	High Density	104	N	N	Steel	Cadmium YP	16-19
M24308/2-509F	M2000/2-509F	Standard	25	Socket	N	Steel	Cadmium YP	16-19
M24308/2-510F	M2000/2-510F	Standard	37	Socket	N	Steel	Cadmium YP	16-19
M24308/2-515F	M2000/2-515F	Standard	15	Socket	N	Steel	Cadmium YP	16-19
M24308/2-23Z	M2000/2-23Z	Standard	9	Socket	N	Steel	Zinc YP	16-19
M24308/2-24Z	M2000/2-24Z	Standard	15	Socket	N	Steel	Zinc YP	16-19
M24308/2-25Z	M2000/2-25Z	Standard	25	Socket	N	Steel	Zinc YP	16-19
M24308/2-26Z	M2000/2-26Z	Standard	37	Socket	N	Steel	Zinc YP	16-19
M24308/2-27Z	M2000/2-27Z	Standard	50	Socket	N	Steel	Zinc YP	16-19
M24308/2-34Z	M2000/2-34Z	Standard	9	Socket	Y	Steel	Zinc YP	16-19
M24308/2-35Z	M2000/2-35Z	Standard	15	Socket	Y	Steel	Zinc YP	16-19
M24308/2-36Z	M2000/2-36Z	Standard	25	Socket	Y	Steel	Zinc YP	16-19
M24308/2-37Z	M2000/2-37Z	Standard	37	Socket	Y	Steel	Zinc YP	16-19
M24308/2-38Z	M2000/2-38Z	Standard	50	Socket	Y	Steel	Zinc YP	16-19
M24308/2-292Z	M2000/2-292Z	Standard	9	N	N	Steel	Zinc YP	16-19
M24308/2-293Z	M2000/2-293Z	Standard	15	N	N	Steel	Zinc YP	16-19
M24308/2-294Z	M2000/2-294Z	Standard	25	N	N	Steel	Zinc YP	16-19
M24308/2-295Z	M2000/2-295Z	Standard	37	N	N	Steel	Zinc YP	16-19
M24308/2-296Z	M2000/2-296Z	Standard	50	N	N	Steel	Zinc YP	16-19
M24308/2-28Z	M2000/2-28Z	High Density	15	Socket	N	Steel	Zinc YP	16-19
M24308/2-29Z	M2000/2-29Z	High Density	26	Socket	N	Steel	Zinc YP	16-19
M24308/2-30Z	M2000/2-30Z	High Density	44	Socket	N	Steel	Zinc YP	16-19
M24308/2-31Z	M2000/2-31Z	High Density	62	Socket	N	Steel	Zinc YP	16-19
M24308/2-32Z	M2000/2-32Z	High Density	78	Socket	N	Steel	Zinc YP	16-19

* Y- Supplied w/ Connector, N: not supplied w/ Connector, N/A: Not Applicable

Finish: YP- Yellow Passivation

Military	Manufacturers Designation	Type	No. Of Pins	*Contact	*IR	Shell Material	Finish	Pg.
M24308/2-33Z	M2000/2-33Z	High Density	104	Socket	N	Steel	Zinc YP	16-19
M24308/2-39Z	M2000/2-39Z	High Density	15	Socket	Y	Steel	Zinc YP	16-19
M24308/2-40Z	M2000/2-40Z	High Density	26	Socket	Y	Steel	Zinc YP	16-19
M24308/2-41Z	M2000/2-41Z	High Density	44	Socket	Y	Steel	Zinc YP	16-19
M24308/2-42Z	M2000/2-42Z	High Density	62	Socket	Y	Steel	Zinc YP	16-19
M24308/2-43Z	M2000/2-43Z	High Density	78	Socket	Y	Steel	Zinc YP	16-19
M24308/2-44Z	M2000/2-44Z	High Density	104	Socket	Y	Steel	Zinc YP	16-19
M24308/2-297Z	M2000/2-297Z	High Density	15	N	N	Steel	Zinc YP	16-19
M24308/2-298Z	M2000/2-298Z	High Density	26	N	N	Steel	Zinc YP	16-19
M24308/2-299Z	M2000/2-299Z	High Density	44	N	N	Steel	Zinc YP	16-19
M24308/2-300Z	M2000/2-300Z	High Density	62	N	N	Steel	Zinc YP	16-19
M24308/2-301Z	M2000/2-301Z	High Density	78	N	N	Steel	Zinc YP	16-19
M24308/2-302Z	M2000/2-302Z	High Density	104	N	N	Steel	Zinc YP	16-19
M24308/2-335Z	M2000/2-335Z	Standard	25	Socket	N	Steel	Zinc YP	16-19
M24308/2-336Z	M2000/2-336Z	Standard	37	Socket	N	Steel	Zinc YP	16-19
M24308/2-341Z	M2000/2-341Z	Standard	15	Socket	N	Steel	Zinc YP	16-19
M24308/2-342Z	M2000/2-342Z	Standard	9	Socket	N	Steel	Zinc YP	16-19
M24308/2-343Z	M2000/2-343Z	Standard	15	Socket	N	Steel	Zinc YP	16-19
M24308/2-344Z	M2000/2-344Z	Standard	25	Socket	N	Steel	Zinc YP	16-19
M24308/2-345Z	M2000/2-345Z	Standard	37	Socket	N	Steel	Zinc YP	16-19
M24308/2-346Z	M2000/2-346Z	Standard	50	Socket	N	Steel	Zinc YP	16-19
M24308/2-353Z	M2000/2-353Z	Standard	9	Socket	Y	Steel	Zinc YP	16-19
M24308/2-354Z	M2000/2-354Z	Standard	15	Socket	Y	Steel	Zinc YP	16-19
M24308/2-355Z	M2000/2-355Z	Standard	25	Socket	Y	Steel	Zinc YP	16-19
M24308/2-356Z	M2000/2-356Z	Standard	37	Socket	Y	Steel	Zinc YP	16-19
M24308/2-357Z	M2000/2-357Z	Standard	50	Socket	Y	Steel	Zinc YP	16-19
M24308/2-482Z	M2000/2-482Z	Standard	9	N	N	Steel	Zinc YP	16-19
M24308/2-483Z	M2000/2-483Z	Standard	15	N	N	Steel	Zinc YP	16-19
M24308/2-484Z	M2000/2-484Z	Standard	25	N	N	Steel	Zinc YP	16-19
M24308/2-485Z	M2000/2-485Z	Standard	37	N	N	Steel	Zinc YP	16-19
M24308/2-486Z	M2000/2-486Z	Standard	50	N	N	Steel	Zinc YP	16-19
M24308/2-347Z	M2000/2-347Z	High Density	15	Socket	N	Steel	Zinc YP	16-19
M24308/2-348Z	M2000/2-348Z	High Density	26	Socket	N	Steel	Zinc YP	16-19
M24308/2-349Z	M2000/2-349Z	High Density	44	Socket	N	Steel	Zinc YP	16-19
M24308/2-350Z	M2000/2-350Z	High Density	62	Socket	N	Steel	Zinc YP	16-19
M24308/2-351Z	M2000/2-351Z	High Density	78	Socket	N	Steel	Zinc YP	16-19
M24308/2-352Z	M2000/2-352Z	High Density	104	Socket	N	Steel	Zinc YP	16-19
M24308/2-358Z	M2000/2-358Z	High Density	15	Socket	Y	Steel	Zinc YP	16-19
M24308/2-359Z	M2000/2-359Z	High Density	26	Socket	Y	Steel	Zinc YP	16-19
M24308/2-360Z	M2000/2-360Z	High Density	44	Socket	Y	Steel	Zinc YP	16-19
M24308/2-361Z	M2000/2-361Z	High Density	62	Socket	Y	Steel	Zinc YP	16-19
M24308/2-362Z	M2000/2-362Z	High Density	78	Socket	Y	Steel	Zinc YP	16-19
M24308/2-363Z	M2000/2-363Z	High Density	104	Socket	Y	Steel	Zinc YP	16-19
M24308/2-487Z	M2000/2-487Z	High Density	15	N	N	Steel	Zinc YP	16-19
M24308/2-488Z	M2000/2-488Z	High Density	26	N	N	Steel	Zinc YP	16-19
M24308/2-489Z	M2000/2-489Z	High Density	44	N	N	Steel	Zinc YP	16-19

* Y- Supplied w/ Connector, N: not supplied w/ Connector, N/A: Not Applicable

Finish: YP- Yellow Passivation

Military	Manufacturers Designation	Type	No. Of Pins	*Contact	*IR	Shell Material	Finish	Pg.
M24308/2-490Z	M2000/2-490Z	High Density	62	N	N	Steel	Zinc YP	16-19
M24308/2-491Z	M2000/2-491Z	High Density	78	N	N	Steel	Zinc YP	16-19
M24308/2-492Z	M2000/2-492Z	High Density	104	N	N	Steel	Zinc YP	16-19
M24308/2-509Z	M2000/2-509Z	Standard	25	Socket	N	Steel	Zinc YP	16-19
M24308/2-510Z	M2000/2-510Z	Standard	37	Socket	N	Steel	Zinc YP	16-19
M24308/2-515Z	M2000/2-515Z	Standard	15	Socket	N	Steel	Zinc YP	16-19
M24308/2-23K	M2000/2-23K	Standard	9	Socket	N	Steel	Zinc Nickel	16-19
M24308/2-24K	M2000/2-24K	Standard	15	Socket	N	Steel	Zinc Nickel	16-19
M24308/2-25K	M2000/2-25K	Standard	25	Socket	N	Steel	Zinc Nickel	16-19
M24308/2-26K	M2000/2-26K	Standard	37	Socket	N	Steel	Zinc Nickel	16-19
M24308/2-27K	M2000/2-27K	Standard	50	Socket	N	Steel	Zinc Nickel	16-19
M24308/2-34K	M2000/2-34K	Standard	9	Socket	Y	Steel	Zinc Nickel	16-19
M24308/2-35K	M2000/2-35K	Standard	15	Socket	Y	Steel	Zinc Nickel	16-19
M24308/2-36K	M2000/2-36K	Standard	25	Socket	Y	Steel	Zinc Nickel	16-19
M24308/2-37K	M2000/2-37K	Standard	37	Socket	Y	Steel	Zinc Nickel	16-19
M24308/2-38K	M2000/2-38K	Standard	50	Socket	Y	Steel	Zinc Nickel	16-19
M24308/2-292K	M2000/2-292K	Standard	9	N	N	Steel	Zinc Nickel	16-19
M24308/2-293K	M2000/2-293K	Standard	15	N	N	Steel	Zinc Nickel	16-19
M24308/2-294K	M2000/2-294K	Standard	25	N	N	Steel	Zinc Nickel	16-19
M24308/2-295K	M2000/2-295K	Standard	37	N	N	Steel	Zinc Nickel	16-19
M24308/2-296K	M2000/2-296K	Standard	50	N	N	Steel	Zinc Nickel	16-19
M24308/2-28K	M2000/2-28K	High Density	15	Socket	N	Steel	Zinc Nickel	16-19
M24308/2-29K	M2000/2-29K	High Density	26	Socket	N	Steel	Zinc Nickel	16-19
M24308/2-30K	M2000/2-30K	High Density	44	Socket	N	Steel	Zinc Nickel	16-19
M24308/2-31K	M2000/2-31K	High Density	62	Socket	N	Steel	Zinc Nickel	16-19
M24308/2-32K	M2000/2-32K	High Density	78	Socket	N	Steel	Zinc Nickel	16-19
M24308/2-33K	M2000/2-33K	High Density	104	Socket	N	Steel	Zinc Nickel	16-19
M24308/2-39K	M2000/2-39K	High Density	15	Socket	Y	Steel	Zinc Nickel	16-19
M24308/2-40K	M2000/2-40K	High Density	26	Socket	Y	Steel	Zinc Nickel	16-19
M24308/2-41K	M2000/2-41K	High Density	44	Socket	Y	Steel	Zinc Nickel	16-19
M24308/2-42K	M2000/2-42K	High Density	62	Socket	Y	Steel	Zinc Nickel	16-19
M24308/2-43K	M2000/2-43K	High Density	78	Socket	Y	Steel	Zinc Nickel	16-19
M24308/2-44K	M2000/2-44K	High Density	104	Socket	Y	Steel	Zinc Nickel	16-19
M24308/2-297K	M2000/2-297K	High Density	15	N	N	Steel	Zinc Nickel	16-19
M24308/2-298K	M2000/2-298K	High Density	26	N	N	Steel	Zinc Nickel	16-19
M24308/2-299K	M2000/2-299K	High Density	44	N	N	Steel	Zinc Nickel	16-19
M24308/2-300K	M2000/2-300K	High Density	62	N	N	Steel	Zinc Nickel	16-19
M24308/2-301K	M2000/2-301K	High Density	78	N	N	Steel	Zinc Nickel	16-19
M24308/2-302K	M2000/2-302K	High Density	104	N	N	Steel	Zinc Nickel	16-19
M24308/2-335K	M2000/2-335K	Standard	25	Socket	N	Steel	Zinc Nickel	16-19
M24308/2-336K	M2000/2-336K	Standard	37	Socket	N	Steel	Zinc Nickel	16-19
M24308/2-341K	M2000/2-341K	Standard	15	Socket	N	Steel	Zinc Nickel	16-19
M24308/2-342K	M2000/2-342K	Standard	9	Socket	N	Steel	Zinc Nickel	16-19
M24308/2-343K	M2000/2-343K	Standard	15	Socket	N	Steel	Zinc Nickel	16-19
M24308/2-344K	M2000/2-344K	Standard	25	Socket	N	Steel	Zinc Nickel	16-19
M24308/2-345K	M2000/2-345K	Standard	37	Socket	N	Steel	Zinc Nickel	16-19

* Y- Supplied w/ Connector, N: not supplied w/ Connector, N/A: Not Applicable

Finish: YP- Yellow Passivation

Military	Manufacturers Designation	Type	No. Of Pins	*Contact	*IR	Shell Material	Finish	Pg.
M24308/2-346K	M2000/2-346K	Standard	50	Socket	N	Steel	Zinc Nickel	16-19
M24308/2-353K	M2000/2-353K	Standard	9	Socket	Y	Steel	Zinc Nickel	16-19
M24308/2-354K	M2000/2-354K	Standard	15	Socket	Y	Steel	Zinc Nickel	16-19
M24308/2-355K	M2000/2-355K	Standard	25	Socket	Y	Steel	Zinc Nickel	16-19
M24308/2-356K	M2000/2-356K	Standard	37	Socket	Y	Steel	Zinc Nickel	16-19
M24308/2-357K	M2000/2-357K	Standard	50	Socket	Y	Steel	Zinc Nickel	16-19
M24308/2-482K	M2000/2-482K	Standard	9	N	N	Steel	Zinc Nickel	16-19
M24308/2-483K	M2000/2-483K	Standard	15	N	N	Steel	Zinc Nickel	16-19
M24308/2-484K	M2000/2-484K	Standard	25	N	N	Steel	Zinc Nickel	16-19
M24308/2-485K	M2000/2-485K	Standard	37	N	N	Steel	Zinc Nickel	16-19
M24308/2-486K	M2000/2-486K	Standard	50	N	N	Steel	Zinc Nickel	16-19
M24308/2-347K	M2000/2-347K	High Density	15	Socket	N	Steel	Zinc Nickel	16-19
M24308/2-348K	M2000/2-348K	High Density	26	Socket	N	Steel	Zinc Nickel	16-19
M24308/2-349K	M2000/2-349K	High Density	44	Socket	N	Steel	Zinc Nickel	16-19
M24308/2-350K	M2000/2-350K	High Density	62	Socket	N	Steel	Zinc Nickel	16-19
M24308/2-351K	M2000/2-351K	High Density	78	Socket	N	Steel	Zinc Nickel	16-19
M24308/2-352K	M2000/2-352K	High Density	104	Socket	N	Steel	Zinc Nickel	16-19
M24308/2-358K	M2000/2-358K	High Density	15	Socket	Y	Steel	Zinc Nickel	16-19
M24308/2-359K	M2000/2-359K	High Density	26	Socket	Y	Steel	Zinc Nickel	16-19
M24308/2-360K	M2000/2-360K	High Density	44	Socket	Y	Steel	Zinc Nickel	16-19
M24308/2-361K	M2000/2-361K	High Density	62	Socket	Y	Steel	Zinc Nickel	16-19
M24308/2-362K	M2000/2-362K	High Density	78	Socket	Y	Steel	Zinc Nickel	16-19
M24308/2-363K	M2000/2-363K	High Density	104	Socket	Y	Steel	Zinc Nickel	16-19
M24308/2-487K	M2000/2-487K	High Density	15	N	N	Steel	Zinc Nickel	16-19
M24308/2-488K	M2000/2-488K	High Density	26	N	N	Steel	Zinc Nickel	16-19
M24308/2-489K	M2000/2-489K	High Density	44	N	N	Steel	Zinc Nickel	16-19
M24308/2-490K	M2000/2-490K	High Density	62	N	N	Steel	Zinc Nickel	16-19
M24308/2-491K	M2000/2-491K	High Density	78	N	N	Steel	Zinc Nickel	16-19
M24308/2-492K	M2000/2-492K	High Density	104	N	N	Steel	Zinc Nickel	16-19
M24308/2-509K	M2000/2-509K	Standard	25	Socket	N	Steel	Zinc Nickel	16-19
M24308/2-510K	M2000/2-510K	Standard	37	Socket	N	Steel	Zinc Nickel	16-19
M24308/2-515K	M2000/2-515K	Standard	15	Socket	N	Steel	Zinc Nickel	16-19
M24308/2-538	M2000/2-538	Standard	9	Socket	N	Steel	Nickel	16-19
M24308/2-539	M2000/2-539	Standard	15	Socket	N	Steel	Nickel	16-19
M24308/2-540	M2000/2-540	Standard	25	Socket	N	Steel	Nickel	16-19
M24308/2-541	M2000/2-541	Standard	37	Socket	N	Steel	Nickel	16-19
M24308/2-542	M2000/2-542	Standard	50	Socket	N	Steel	Nickel	16-19
M24308/2-549	M2000/2-549	Standard	9	Socket	Y	Steel	Nickel	16-19
M24308/2-550	M2000/2-550	Standard	15	Socket	Y	Steel	Nickel	16-19
M24308/2-551	M2000/2-551	Standard	25	Socket	Y	Steel	Nickel	16-19
M24308/2-552	M2000/2-552	Standard	37	Socket	Y	Steel	Nickel	16-19
M24308/2-553	M2000/2-553	Standard	50	Socket	Y	Steel	Nickel	16-19
M24308/2-571	M2000/2-571	Standard	9	N	N	Steel	Nickel	16-19
M24308/2-572	M2000/2-572	Standard	15	N	N	Steel	Nickel	16-19
M24308/2-573	M2000/2-573	Standard	25	N	N	Steel	Nickel	16-19
M24308/2-574	M2000/2-574	Standard	37	N	N	Steel	Nickel	16-19

* Y- Supplied w/ Connector, N: not supplied w/ Connector, N/A: Not Applicable

Finish: YP- Yellow Passivation

Military	Manufacturers Designation	Type	No. Of Pins	*Contact	*IR	Shell Material	Finish	Pg.
M24308/2-575	M2000/2-575	Standard	50	N	N	Steel	Nickel	16-19
M24308/2-543	M2000/2-543	High Density	15	Socket	N	Steel	Nickel	16-19
M24308/2-544	M2000/2-544	High Density	26	Socket	N	Steel	Nickel	16-19
M24308/2-545	M2000/2-545	High Density	44	Socket	N	Steel	Nickel	16-19
M24308/2-546	M2000/2-546	High Density	62	Socket	N	Steel	Nickel	16-19
M24308/2-547	M2000/2-547	High Density	78	Socket	N	Steel	Nickel	16-19
M24308/2-548	M2000/2-548	High Density	104	Socket	N	Steel	Nickel	16-19
M24308/2-554	M2000/2-554	High Density	15	Socket	Y	Steel	Nickel	16-19
M24308/2-555	M2000/2-555	High Density	26	Socket	Y	Steel	Nickel	16-19
M24308/2-556	M2000/2-556	High Density	44	Socket	Y	Steel	Nickel	16-19
M24308/2-557	M2000/2-557	High Density	62	Socket	Y	Steel	Nickel	16-19
M24308/2-558	M2000/2-558	High Density	78	Socket	Y	Steel	Nickel	16-19
M24308/2-559	M2000/2-559	High Density	104	Socket	Y	Steel	Nickel	16-19
M24308/2-576	M2000/2-576	High Density	15	N	N	Steel	Nickel	16-19
M24308/2-577	M2000/2-577	High Density	26	N	N	Steel	Nickel	16-19
M24308/2-578	M2000/2-578	High Density	44	N	N	Steel	Nickel	16-19
M24308/2-579	M2000/2-579	High Density	62	N	N	Steel	Nickel	16-19
M24308/2-580	M2000/2-580	High Density	78	N	N	Steel	Nickel	16-19
M24308/2-581	M2000/2-581	High Density	104	N	N	Steel	Nickel	16-19
M24308/2-582	M2000/2-582	Standard	25	Socket	N	Steel	Nickel	16-19
M24308/2-583	M2000/2-583	Standard	37	Socket	N	Steel	Nickel	16-19
M24308/2-584	M2000/2-584	Standard	15	Socket	N	Steel	Nickel	16-19
M24308/2-585	M2000/2-585	Standard	9	Socket	N	Steel	Nickel	16-19
M24308/2-586	M2000/2-586	Standard	15	Socket	N	Steel	Nickel	16-19
M24308/2-587	M2000/2-587	Standard	25	Socket	N	Steel	Nickel	16-19
M24308/2-588	M2000/2-588	Standard	37	Socket	N	Steel	Nickel	16-19
M24308/2-589	M2000/2-589	Standard	50	Socket	N	Steel	Nickel	16-19
M24308/2-596	M2000/2-596	Standard	9	Socket	Y	Steel	Nickel	16-19
M24308/2-597	M2000/2-597	Standard	15	Socket	Y	Steel	Nickel	16-19
M24308/2-598	M2000/2-598	Standard	25	Socket	Y	Steel	Nickel	16-19
M24308/2-599	M2000/2-599	Standard	37	Socket	Y	Steel	Nickel	16-19
M24308/2-600	M2000/2-600	Standard	50	Socket	Y	Steel	Nickel	16-19
M24308/2-607	M2000/2-607	Standard	9	N	N	Steel	Nickel	16-19
M24308/2-608	M2000/2-608	Standard	15	N	N	Steel	Nickel	16-19
M24308/2-609	M2000/2-609	Standard	25	N	N	Steel	Nickel	16-19
M24308/2-610	M2000/2-610	Standard	37	N	N	Steel	Nickel	16-19
M24308/2-611	M2000/2-611	Standard	50	N	N	Steel	Nickel	16-19
M24308/2-590	M2000/2-590	High Density	15	Socket	N	Steel	Nickel	16-19
M24308/2-591	M2000/2-591	High Density	26	Socket	N	Steel	Nickel	16-19
M24308/2-592	M2000/2-592	High Density	44	Socket	N	Steel	Nickel	16-19
M24308/2-593	M2000/2-593	High Density	62	Socket	N	Steel	Nickel	16-19
M24308/2-594	M2000/2-594	High Density	78	Socket	N	Steel	Nickel	16-19
M24308/2-595	M2000/2-595	High Density	104	Socket	N	Steel	Nickel	16-19
M24308/2-601	M2000/2-601	High Density	15	Socket	Y	Steel	Nickel	16-19
M24308/2-602	M2000/2-602	High Density	26	Socket	Y	Steel	Nickel	16-19
M24308/2-603	M2000/2-603	High Density	44	Socket	Y	Steel	Nickel	16-19

* Y- Supplied w/ Connector, N: not supplied w/ Connector, N/A: Not Applicable

Finish: YP- Yellow Passivation

Military	Manufacturers Designation	Type	No. Of Pins	*Contact	*IR	Shell Material	Finish	Pg.
M24308/2-604	M2000/2-604	High Density	62	Socket	Y	Steel	Nickel	16-19
M24308/2-605	M2000/2-605	High Density	78	Socket	Y	Steel	Nickel	16-19
M24308/2-606	M2000/2-606	High Density	104	Socket	Y	Steel	Nickel	16-19
M24308/2-612	M2000/2-612	High Density	15	N	N	Steel	Nickel	16-19
M24308/2-613	M2000/2-613	High Density	26	N	N	Steel	Nickel	16-19
M24308/2-614	M2000/2-614	High Density	44	N	N	Steel	Nickel	16-19
M24308/2-615	M2000/2-615	High Density	62	N	N	Steel	Nickel	16-19
M24308/2-616	M2000/2-616	High Density	78	N	N	Steel	Nickel	16-19
M24308/2-617	M2000/2-617	High Density	104	N	N	Steel	Nickel	16-19
M24308/2-621	M2000/2-621	Standard	25	Socket	N	Steel	Nickel	16-19
M24308/2-622	M2000/2-622	Standard	37	Socket	N	Steel	Nickel	16-19
M24308/2-627	M2000/2-627	Standard	15	Socket	N	Steel	Nickel	16-19
M24308/3-12Z	M2000/3-12Z	Standard	9	Pin	N/A	Steel	Zinc YP	20-21
M24308/3-13Z	M2000/3-13Z	Standard	15	Pin	N/A	Steel	Zinc YP	20-21
M24308/3-14Z	M2000/3-14Z	Standard	25	Pin	N/A	Steel	Zinc YP	20-21
M24308/3-15Z	M2000/3-15Z	Standard	37	Pin	N/A	Steel	Zinc YP	20-21
M24308/3-16Z	M2000/3-16Z	Standard	50	Pin	N/A	Steel	Zinc YP	20-21
M24308/3-17Z	M2000/3-17Z	Standard	9	Pin	N/A	Steel	Zinc YP	20-21
M24308/3-18Z	M2000/3-18Z	Standard	15	Pin	N/A	Steel	Zinc YP	20-21
M24308/3-19Z	M2000/3-19Z	Standard	25	Pin	N/A	Steel	Zinc YP	20-21
M24308/3-20Z	M2000/3-20Z	Standard	37	Pin	N/A	Steel	Zinc YP	20-21
M24308/3-21Z	M2000/3-21Z	Standard	50	Pin	N/A	Steel	Zinc YP	20-21
M24308/3-12K	M2000/3-12K	Standard	9	Pin	N/A	Steel	Zinc Nickel	20-21
M24308/3-13K	M2000/3-13K	Standard	15	Pin	N/A	Steel	Zinc Nickel	20-21
M24308/3-14K	M2000/3-14K	Standard	25	Pin	N/A	Steel	Zinc Nickel	20-21
M24308/3-15K	M2000/3-15K	Standard	37	Pin	N/A	Steel	Zinc Nickel	20-21
M24308/3-16K	M2000/3-16K	Standard	50	Pin	N/A	Steel	Zinc Nickel	20-21
M24308/3-17K	M2000/3-17K	Standard	9	Pin	N/A	Steel	Zinc Nickel	20-21
M24308/3-18K	M2000/3-18K	Standard	15	Pin	N/A	Steel	Zinc Nickel	20-21
M24308/3-19K	M2000/3-19K	Standard	25	Pin	N/A	Steel	Zinc Nickel	20-21
M24308/3-20K	M2000/3-20K	Standard	37	Pin	N/A	Steel	Zinc Nickel	20-21
M24308/3-21K	M2000/3-21K	Standard	50	Pin	N/A	Steel	Zinc Nickel	20-21
M24308/3-34	M2000/3-34	Standard	9	Pin	N/A	Steel	Nickel	20-21
M24308/3-35	M2000/3-35	Standard	15	Pin	N/A	Steel	Nickel	20-21
M24308/3-36	M2000/3-36	Standard	25	Pin	N/A	Steel	Nickel	20-21
M24308/3-37	M2000/3-37	Standard	37	Pin	N/A	Steel	Nickel	20-21
M24308/3-38	M2000/3-38	Standard	50	Pin	N/A	Steel	Nickel	20-21
M24308/3-39	M2000/3-39	Standard	9	Pin	N/A	Steel	Nickel	20-21
M24308/3-40	M2000/3-40	Standard	15	Pin	N/A	Steel	Nickel	20-21
M24308/3-41	M2000/3-41	Standard	25	Pin	N/A	Steel	Nickel	20-21
M24308/3-42	M2000/3-42	Standard	37	Pin	N/A	Steel	Nickel	20-21
M24308/3-43	M2000/3-43	Standard	50	Pin	N/A	Steel	Nickel	20-21
M24308/3-1F	M2000/3-1F	Standard	9	Pin	N/A	Steel	Cadmium YP	20-21
M24308/3-2F	M2000/3-2F	Standard	15	Pin	N/A	Steel	Cadmium YP	20-21
M24308/3-3F	M2000/3-3F	Standard	25	Pin	N/A	Steel	Cadmium YP	20-21
M24308/3-4F	M2000/3-4F	Standard	37	Pin	N/A	Steel	Cadmium YP	20-21

* Y- Supplied w/ Connector, N: not supplied w/ Connector, N/A: Not Applicable
Finish: YP- Yellow Passivation