

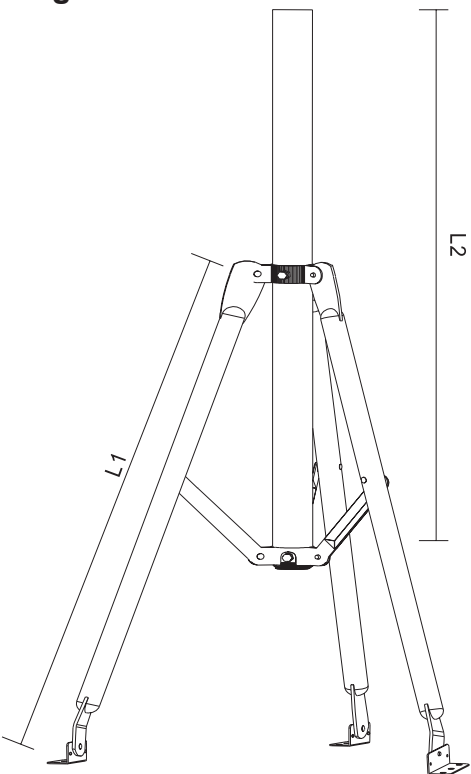
3' Antenna Tripod



Specifications

Pipe Material : Steel
Fixing Plate : Cold-rolled Sheet
Processing Technology : Galvanize / Painting

Diagram



Dimension

L1	L2	Pipe Diameter Thickness
871mm	725mm	L1 \varnothing 32 × T1.2 L2 \varnothing 40 × T1.5

Part Number Table

Description	Part Number
3' Antenna Tripod	33-10905